

# Build in part of mixer and spout

## Qtoo collection

### Product

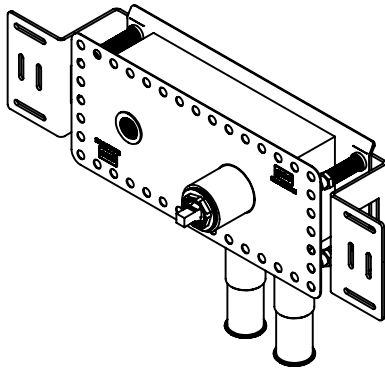
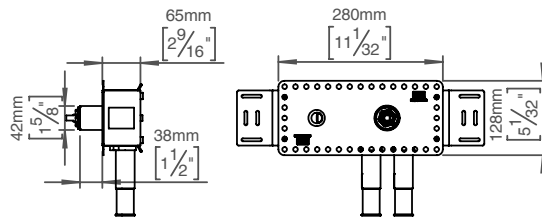
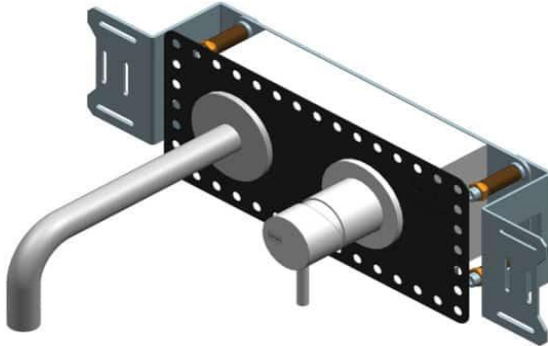
Depth 69mm, length 421mm.

### Tender text

QTOO collection, built in mixer for spout.  
Manufactured in the highest quality marine grade.  
Material: AISI 304 stainless steel. 20 year warranty.

### Product specification

Built in depth: 69mm - 2 3/4"  
7,5gpm at 65psi  
23L at 3bar  
Lead free compliant  
Material: AISI 304 stainless steel  
[20-year warranty \(5 years for coated items\)](#)



### Available finishes

### Spare parts/ accessories

### Mounting

<https://dline.com/mounting-instructions/>

### Product care

d line products are produced in the highest quality AISI 304 stainless steel. To sustain the unique d line finish please follow the below instructions:

- Wash down the surfaces using soapy water or mild detergent
- Always thoroughly rinse off with clean water
- To complete the cleaning procedure dry/polish the surface with a soft dry cloth

Please do not use scouring powder, steel wool, chloride based detergents or other aggressive cleaning products as these may damage the surface.

If spots or corrosion appear on the surface it is not due to the stainless steel quality, but to impurities in the environment, aggressive conditions or improper or insufficient cleaning.