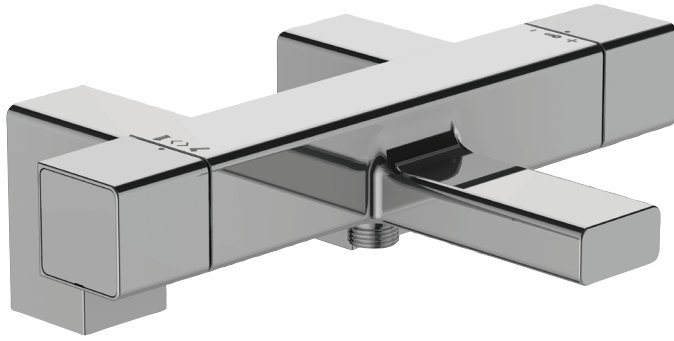


E9129



Collection: STRAYT

Finish*:



CP - Chrome

Main features:



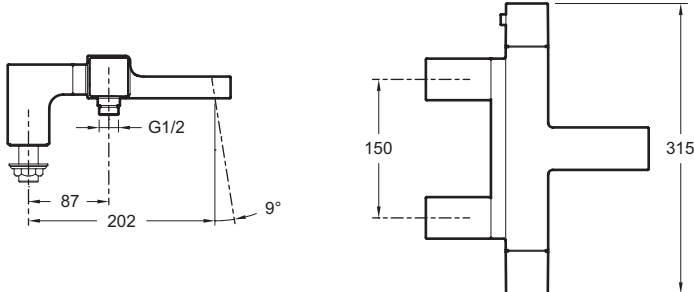
Features

- WEIGHT: 3.5 kg
- INSTALLATION TYPE: 2 holes
- TYPE: Single-lever
- SPOUT PROJECTION: 202
- MECHANISM: Expanding wax thermostatic cartridge
- SAFETY STOP: 40°C
- NON-RETURN VALVE: Yes
- MECHANISM GUARANTEE: 5 years
- MATERIAL: Metal
- NORMS AND REGULATION: ACS
- FLOW RATE: 20 l/mn
- CONNECTION: With pillar connectors
- HOLE CONFIGURATION: 150
- WARM BODY: Yes
- DIVERTER: Automatic diverter built into flow handle

Consumer benefits

- SAFETY: Maximum temperature set at 50°

Technical drawing



Product Specification: Thermostatic single-lever deck-mount bath/shower mixer. E9129. Collection: STRAYT. WEIGHT: 3.5 kg. MATERIAL: Metal. INSTALLATION TYPE: 2 holes. NORMS AND REGULATION: ACS. TYPE: Single-lever. FLOW RATE: 20 l/mn. SPOUT PROJECTION: 202. CONNECTION: With pillar connectors. MECHANISM: Expanding wax thermostatic cartridge. HOLE CONFIGURATION: 150. SAFETY STOP: 40°C. WARM BODY: Yes. NON-RETURN VALVE: Yes. DIVERTER: Automatic diverter built into flow handle. MECHANISM GUARANTEE: 5 years.