

# INSTALLATION GUIDELINES



**STYLE No.** RG2T10, RG2T11

Regulator Two Way Thermostatic Diverter Valve Trim with Black/Metal Lever Handle



**STYLE No.** RG3T10, RG3T11

Regulator Three Way Thermostatic Diverter Valve Trim with Black/Metal Lever Handle

**IMPORTANT:**

- To ensure this product is installed properly, you must read and follow these guidelines.
- The owner/user of this product must keep this information for future reference.
- This product is intended to work with a Universal Diverter Valve with Shutoff (SOLD SEPARATELY). Refer to the Installation Guidelines provided with the VALVE for complete rough-in installation details.
- This product must be installed by a professional licensed contractor and must be onsite prior to rough-in, this allows the installer to visualize the installation.
- Be sure your installation conforms to federal, state, and local codes. In the State of Massachusetts, all installations must comply with the rules and regulations set forth within 248 CMR.
- Inspect this product to ensure you have all the parts required for proper installation. Product is sold partially assembled but shown fully disassembled for illustrative and service purposes only.
- Use only a strap wrench or protected/smooth-jaw wrench on any finished surface.
- The use of certain plumber's putty may stain stone or tile surfaces.
- If further assistance is required, please contact Product Support at 1-800-927-2120 Monday through Friday, 8am - 6pm EST.
- Refer to the separate Service Parts Documents for available replacement parts.

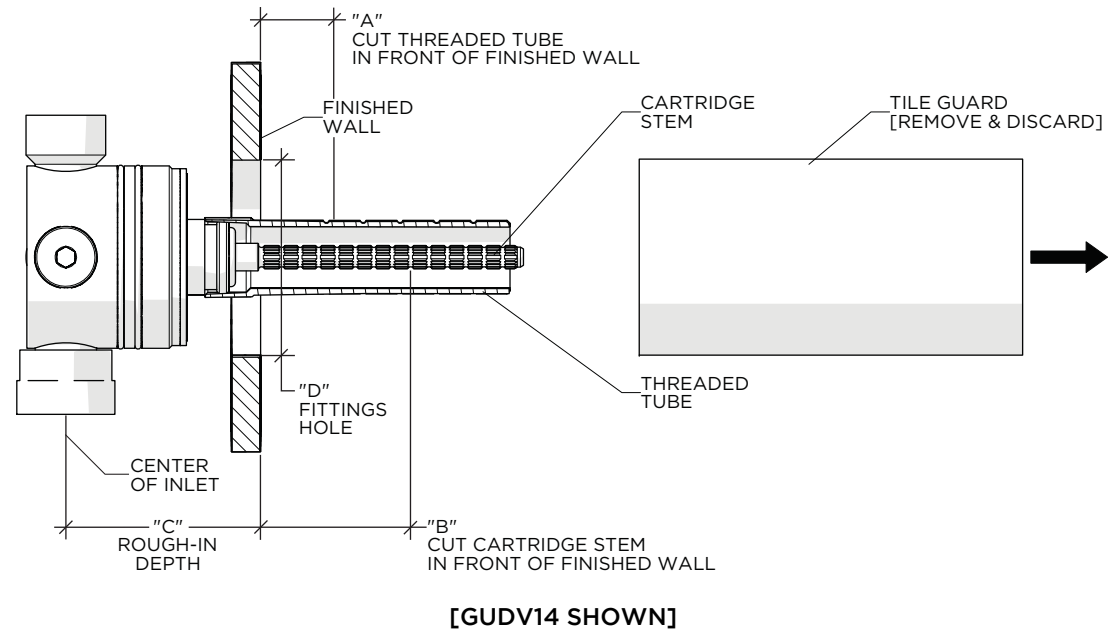
**REQUIRED PLUMBING DETAILS:**

- Universal Two Way Diverter Valve with Shutoff for Thermostatic Shower Systems  
  
STYLE No. **GUDV14** (RG2T10, RG2T11) or,
- Universal Three Way Diverter Valve with Shutoff for Thermostatic Shower Systems  
  
STYLE No. **GUDV66** (RG3T10, RG3T11)

**ROUGH-IN AND VALVE PREPARATION:**

- **CAUTION:** If the VALVE is roughed-in too shallow, the TRIM cannot be installed correctly.
- **CAUTION:** Mark and remove the THREADED TUBE before cutting. Do NOT cut the end with the internal threads.

DIMENSION	VALUE
A	1-1/8" [29mm]
B	1-7/8" [48mm]
C	2-1/2" [64mm] MIN - 4" [102mm] MAX
D	Ø2-1/2" [64mm]



# WATERWORKS

## INSTALLATION GUIDELINES



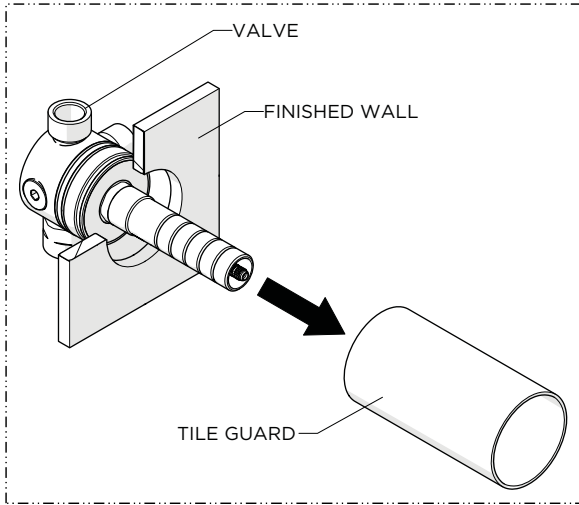
**STYLE No. RG2T10, RG2T11**

Regulator Two Way Thermostatic Diverter Valve Trim with Black/Metal Lever Handle

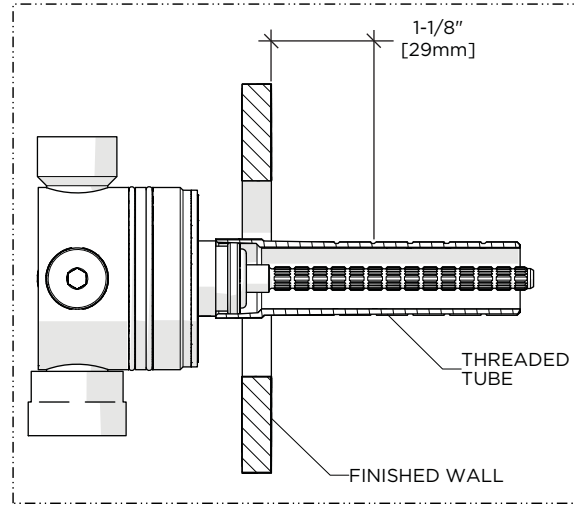
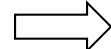


**STYLE No. RG3T10, RG3T11**

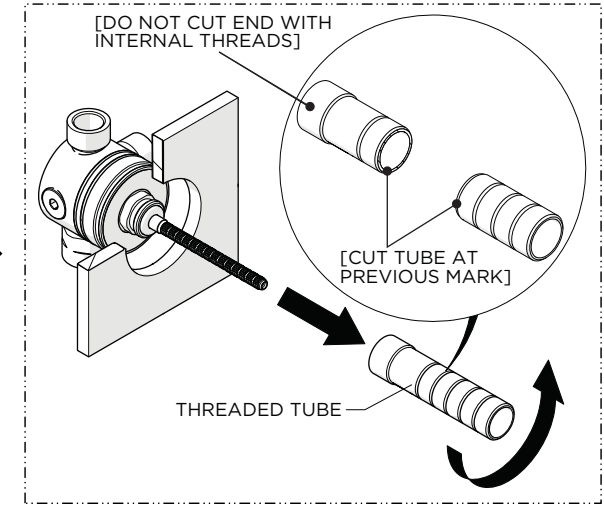
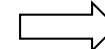
Regulator Three Way Thermostatic Diverter Valve Trim with Black/Metal Lever Handle



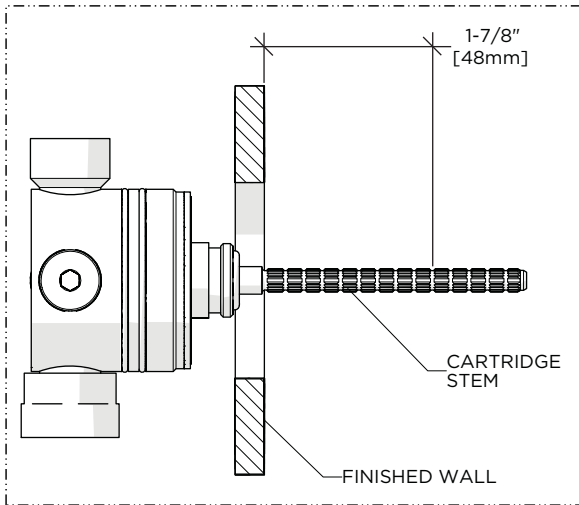
1. Remove the TILE GUARD from the VALVE.



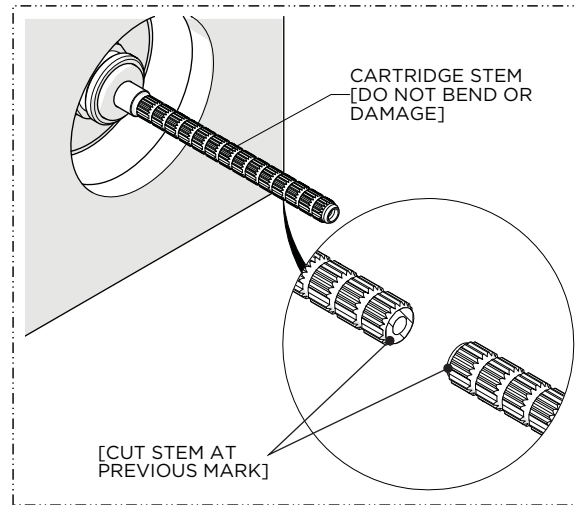
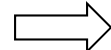
2. Mark the THREADED TUBE 1-1/8" [29mm] in front of the finished wall.



3. Unthread the THREADED TUBE then cut the TUBE at the previous mark. Do **NOT** cut the end with the internal threads.

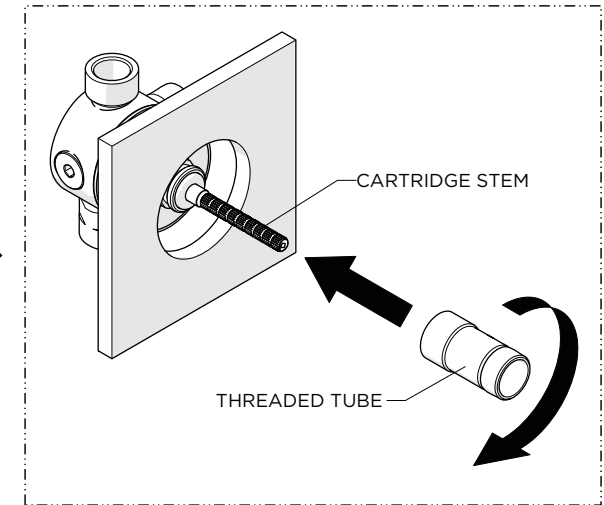
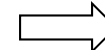


4. Mark the CARTRIDGE STEM 1-7/8" [48mm] in front of the finished wall.



5. Cut the CARTRIDGE STEM at the previous mark.

**CAUTION:** Do **NOT** bend or damage the STEM.



6. Thread the THREADED TUBE back onto the CARTRIDGE.

# WATERWORKS

## INSTALLATION GUIDELINES



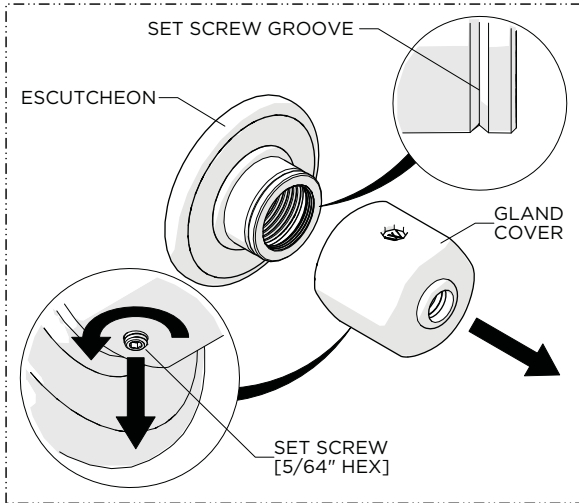
STYLE No. RG2T10, RG2T11

Regulator Two Way Thermostatic Diverter Valve Trim with Black/Metal Lever Handle



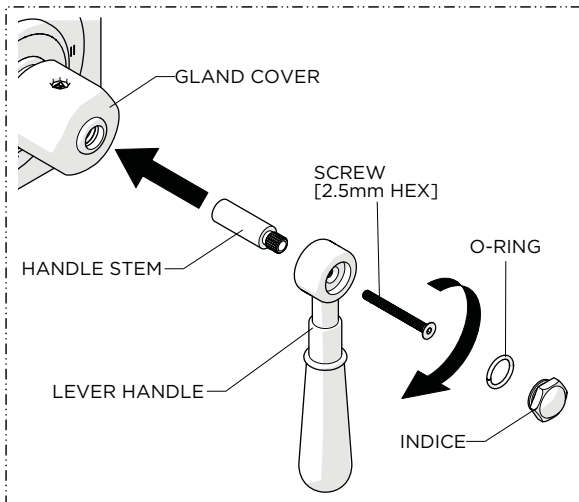
STYLE No. RG3T10, RG3T11

Regulator Three Way Thermostatic Diverter Valve Trim with Black/Metal Lever Handle

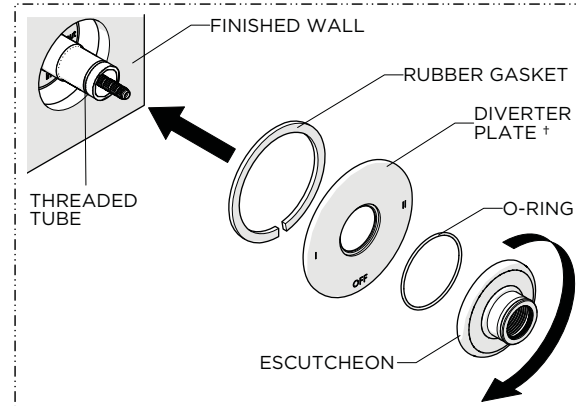


7. Loosen, but do **NOT** remove, the SET SCREW on the backside of the GLAND COVER then remove the GLAND COVER.

**IMPORTANT:** Do **NOT** use the GLAND COVER as leverage to install the ESCUTCHEON.

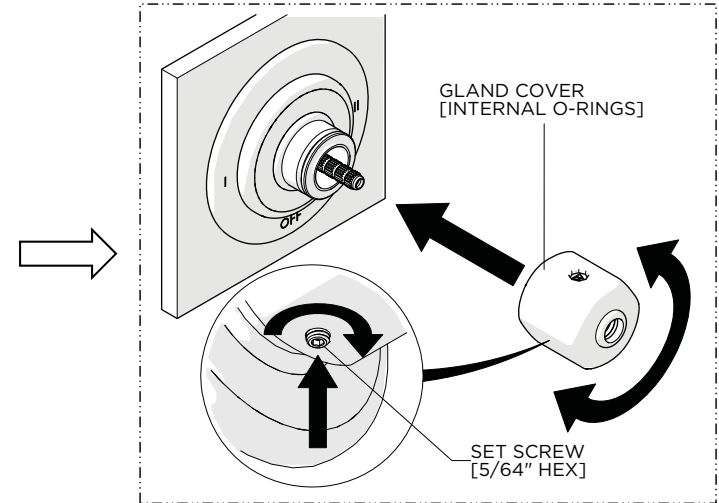


10. Insert the HANDLE STEM into the GLAND COVER, place the LEVER HANDLE onto the STEM in the desired orientation, thread and securely tighten the SCREW then insert the INDICE into the HANDLE.

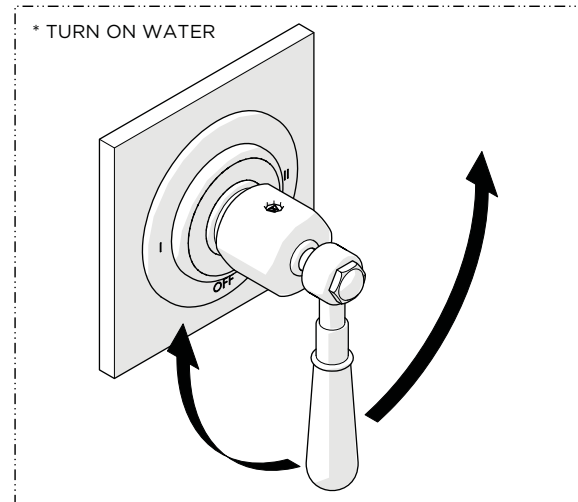


† A GASKET for the DIVERTER PLATE is provided. If desired, a bead of caulk or a clear silicone may be applied where the PLATE contacts the finished wall.

8. Using the GASKET provided, hold the DIVERTER PLATE against the finished wall then, using the O-RING provided, thread and securely tighten the ESCUTCHEON onto the THREADED TUBE.



9. Push the GLAND COVER onto the ESCUTCHEON until it is **FULLY** seated, rotate it to the desired orientation, and securely tighten the SET SCREW.



11. Turn on the water supply and operate the HANDLE to ensure it is functioning properly.