

Anvil System S 90/120/180/240

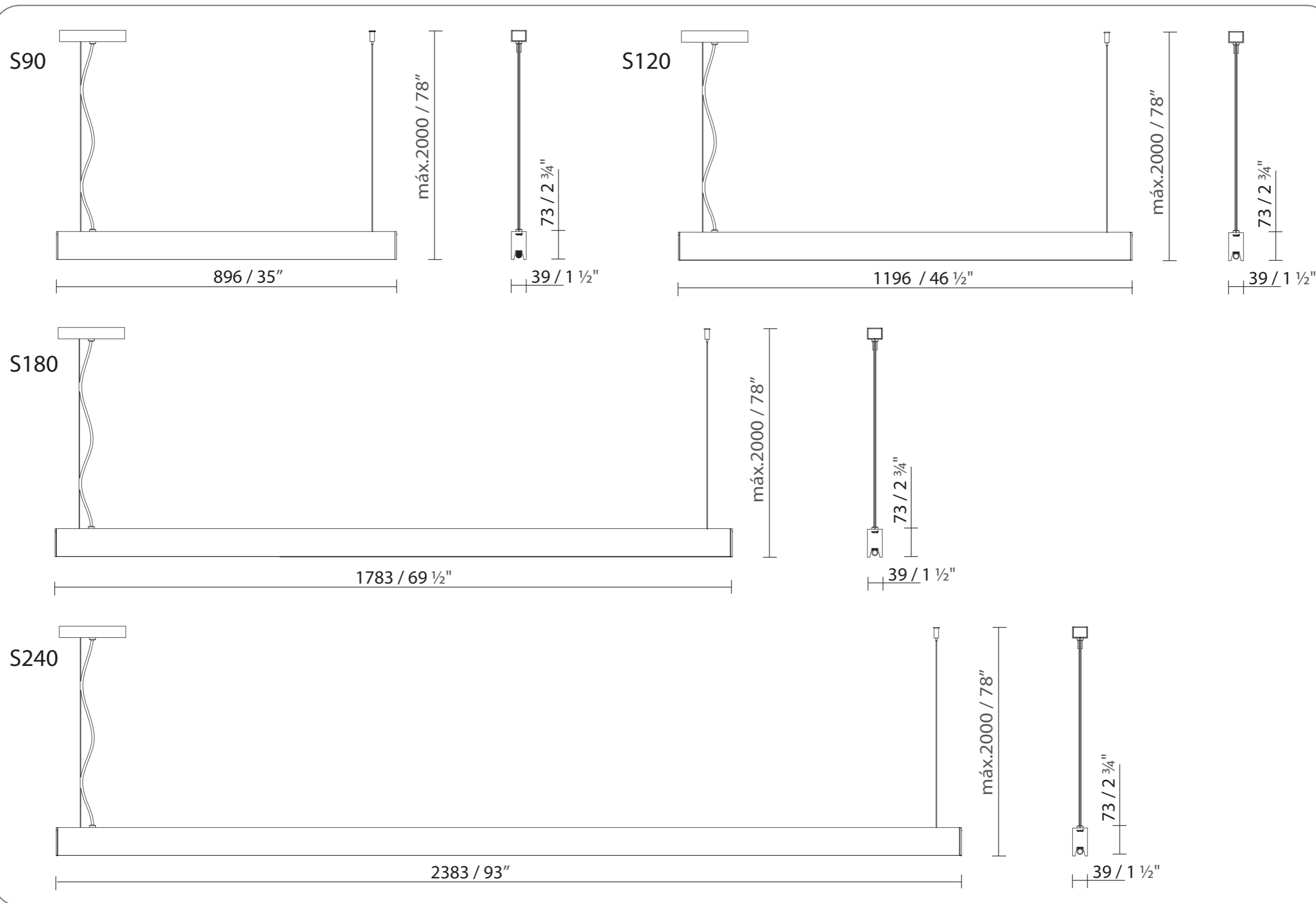
David Albad
david@barcelonadesign.ru
www.barcelonadesign.ru

90: Fluor. 39W (G5) seamless 230V 50-60HZ
120: Fluor. 54W (G5) seamless 230V 50-60HZ
180: Fluor. 2 x 39W (G5) seamless 230V 50-60HZ
240: Fluor. 2 x 54W (G5) seamless 230V 50-60HZ

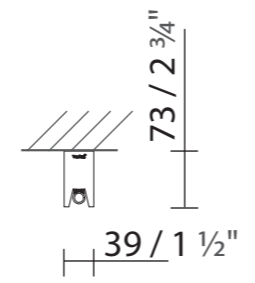
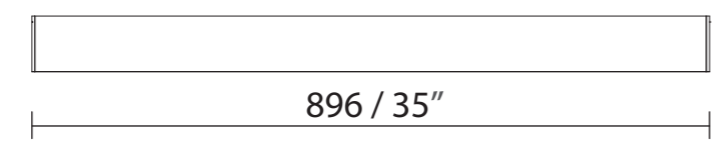
IP20

Clase I

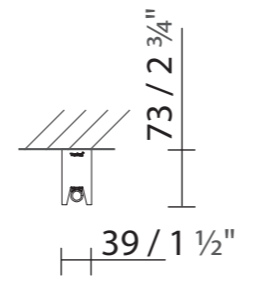
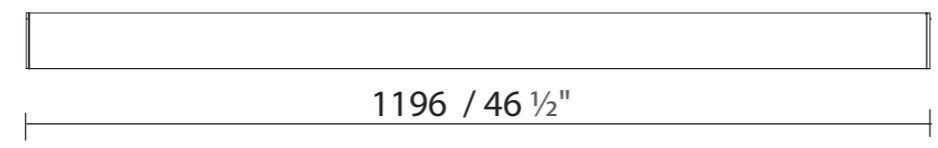
Vanlux



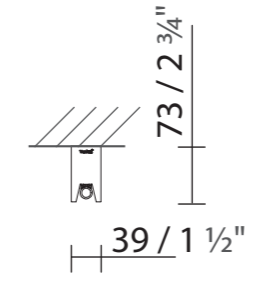
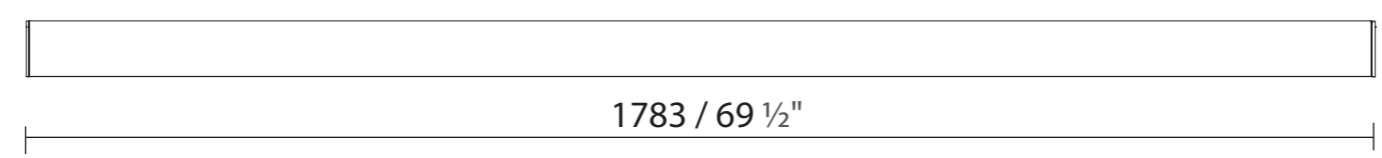
C90



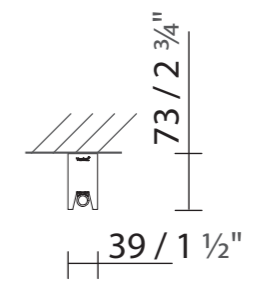
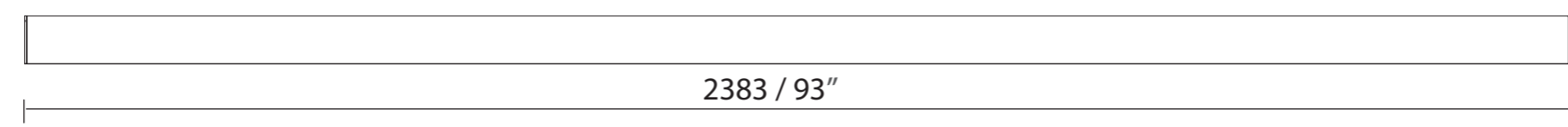
C120



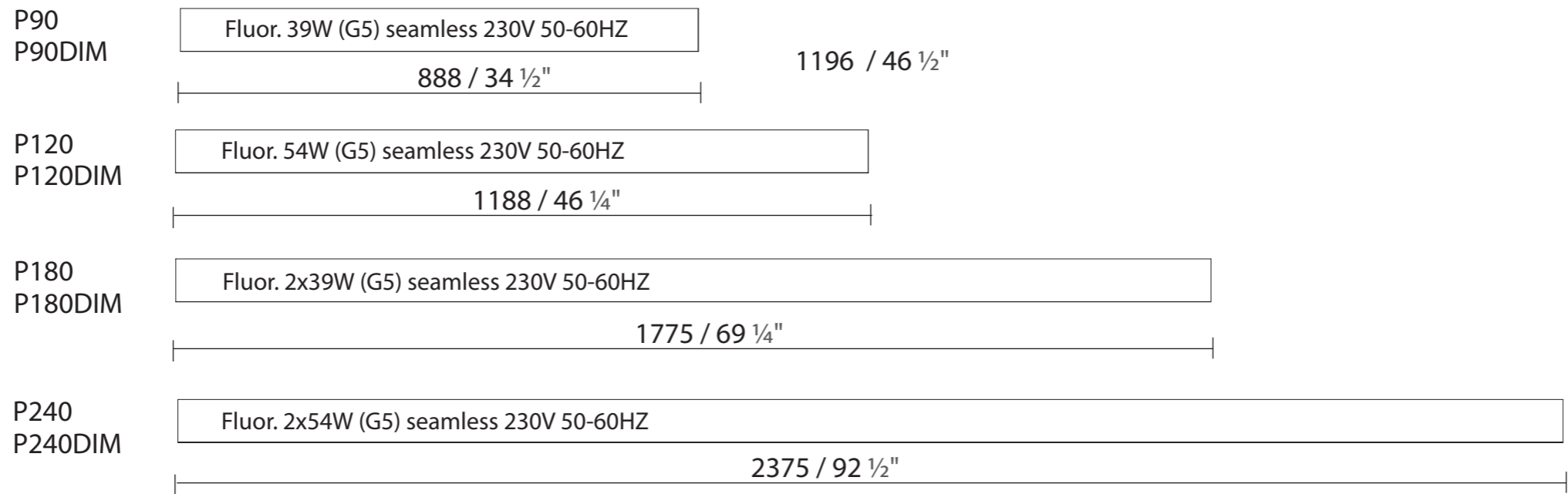
C180



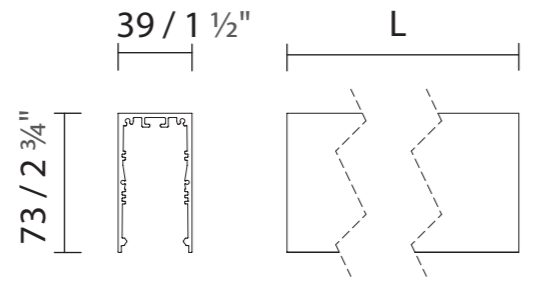
C240



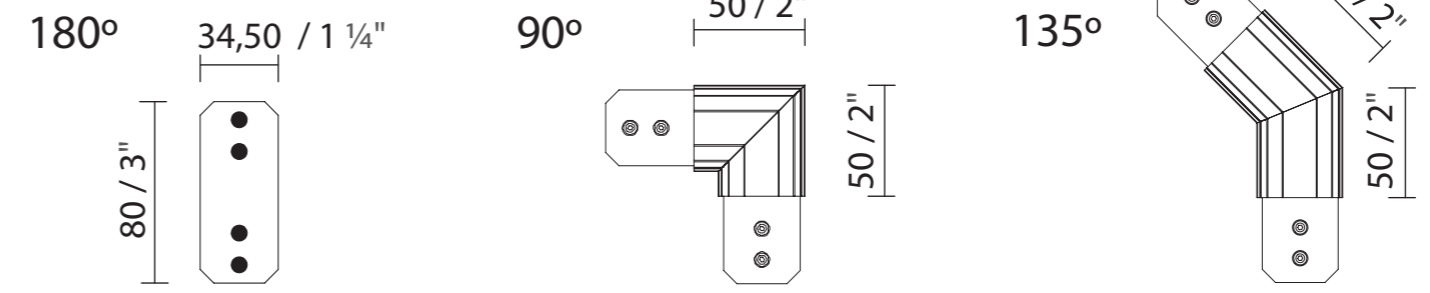
PERFILES STANDARD



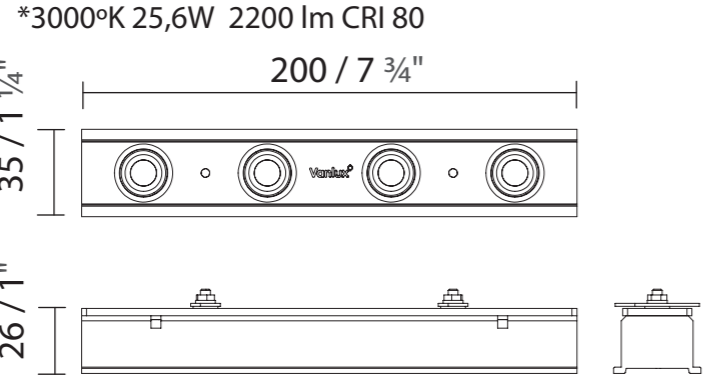
PERFILES A MEDIDA



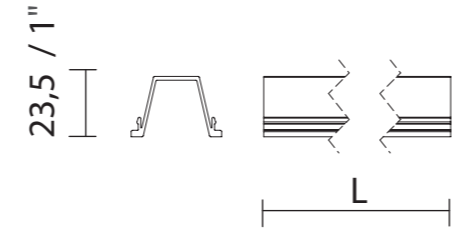
ÁNGULOS ANVIL



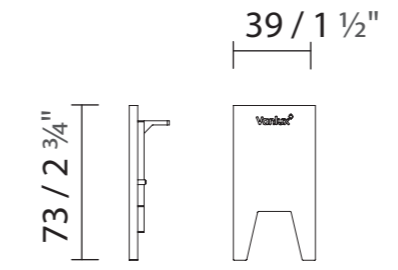
MODULO LED ANVIL



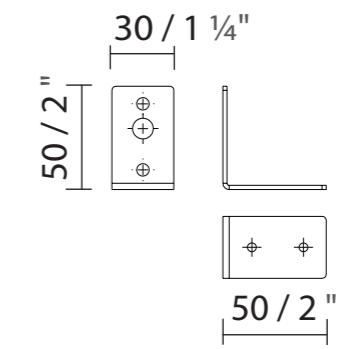
ANVIL COVER



ANVIL END CAP

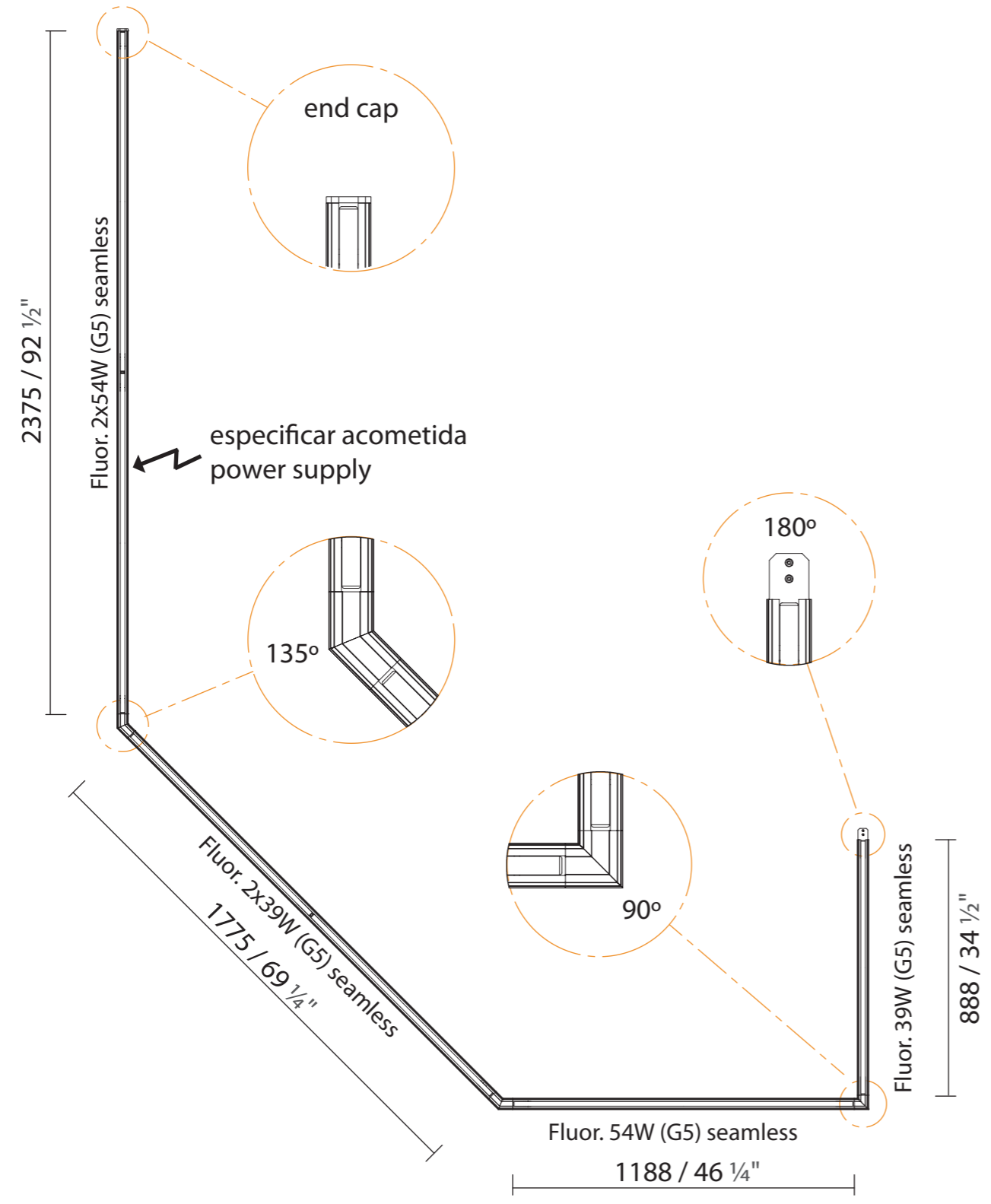


WALL FIXATION

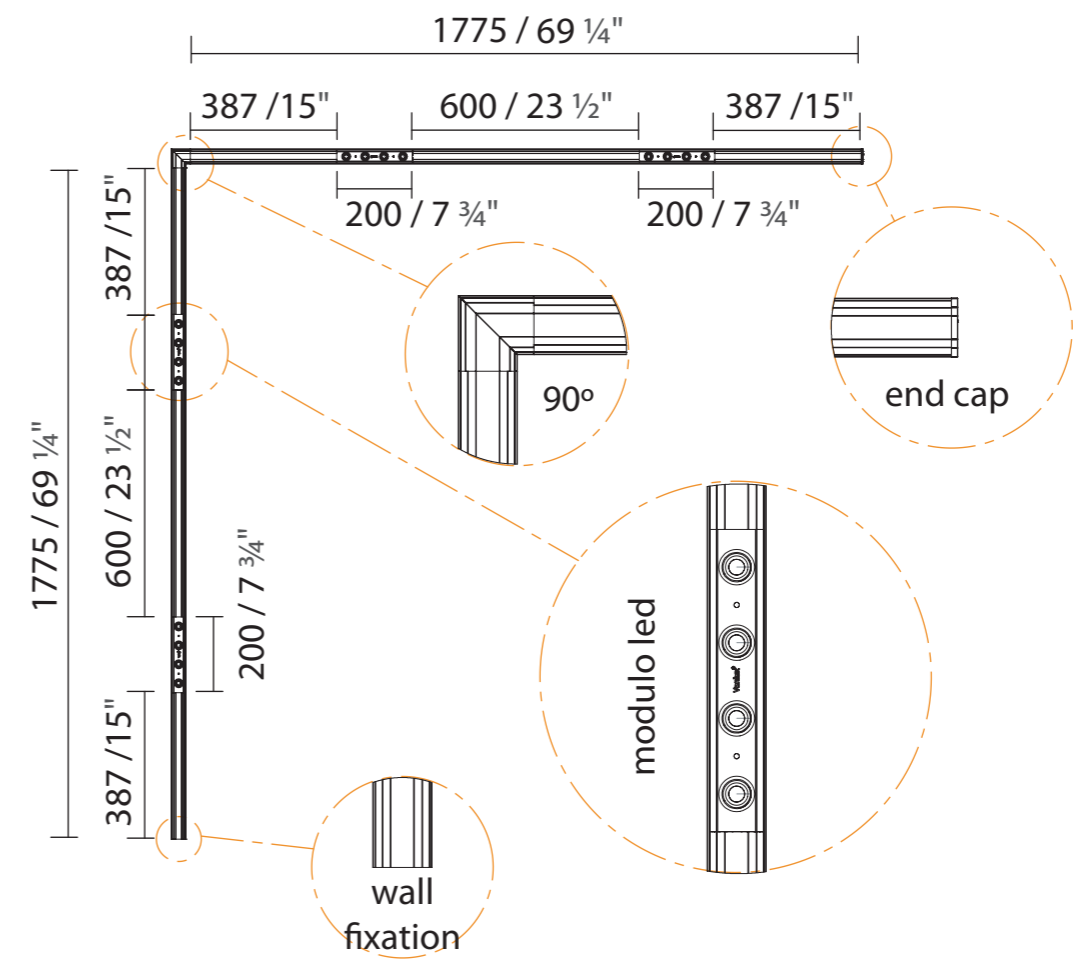


ANVIL CONSTRUYE

*Ejemplo fluorescente



*Ejemplo led



* medidas en mm, salvo especificación contraria * measurements in mm unless otherwise specified * Maß-dfe wo nicht anders angegeben in mm