

E78115-4



Collection: BRIVE

Finish*:



CP - Chrome

Main features:



Features

- **DIMENSIONS:** 50 x 17.50 cm
- **MATERIAL:** Metal
- **NORMS AND REGULATION:** NF: IA - ECAU: E0 C3 A2 U3 (Ge5) - ACS (Certificate of Sanitary Compliance): 15 ACC LY 473
- **FLOW RATE:** 10 l/mn
- **SPOUT PROJECTION:** 214
- **MECHANISM:** C3 water- and energy-saving cartridge
- **SINGLE-LEVER TAP:** SINGLE-LEVER
- **MECHANISM GUARANTEE:** 5 years

- **WEIGHT:** 1 kg
- **INSTALLATION TYPE:** 1 hole
- **TYPE:** Single-lever
- **HEIGHT UNDER SPOUT:** 178
- **CONNECTION:** With supply hoses
- **WASTE :** With waste
- **INSTALLATION TYPE:** 1 hole
- **DRILLING:** Drilling \varnothing 35 mm

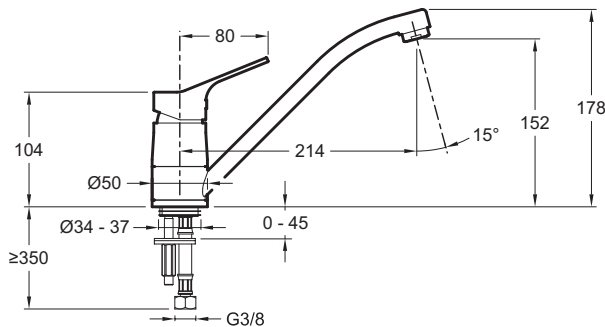
Consumer benefits

- **SAFETY:** Temperature control ring
- **EASY CARE:** Anti-scale aerator
- **WATER SAVING FEATURE:** Sensitive flow control

Installation benefits

- **INSTALLATION IN 35":** product equipped with patented 5/35" system for fast, easy installation
- **INSTALLATION:** With supply hoses

Technical drawing



Product Specification: Single-lever kitchen mixer - patented 5/35" installation system. E78115-4. Collection: BRIVE. DIMENSIONS: 50 x 17.50 cm. WEIGHT: 1 kg. MATERIAL: Metal. INSTALLATION TYPE: 1 hole. NORMS AND REGULATION: NF: IA - ECAU: E0 C3 A2 U3 (Ge5) - ACS (Certificate of Sanitary Compliance): 15 ACC LY 473. TYPE: Single-lever. FLOW RATE: 10 l/mn. HEIGHT UNDER SPOUT: 178. SPOUT PROJECTION: 214. CONNECTION: With supply hoses. MECHANISM: C3 water- and energy-saving cartridge. WASTE : With waste. SINGLE-LEVER TAP: SINGLE-LEVER. INSTALLATION TYPE: 1 hole. MECHANISM GUARANTEE: 5 years. DRILLING: Drilling \varnothing 35 mm.