

E75762-4



Collection: BRIVE

Finish*:



CP - Chrome

Main features:



Features

- DIMENSIONS: 47 x 48.60 cm
- MATERIAL: 54
- NORMS AND REGULATION: NF: I - ECAU: E00 Ch2 A3 U3 (Ps3) - ACS (Certificate of Sanitary Compliance): 15 ACC LY 472
- FLOW RATE: 5 l/mn
- SPOUT PROJECTION: 103
- MECHANISM: Ceramic disc cartridge
- SINGLE-LEVER TAP: SINGLE- LEVER MIXER
- MECHANISM GUARANTEE: 5 years

- WEIGHT: 1.3 kg
- INSTALLATION TYPE: 1 hole
- TYPE: Single-lever
- HEIGHT UNDER SPOUT: 136
- CONNECTION: With supply hoses
- WASTE : Without waste
- INSTALLATION TYPE: 1 hole

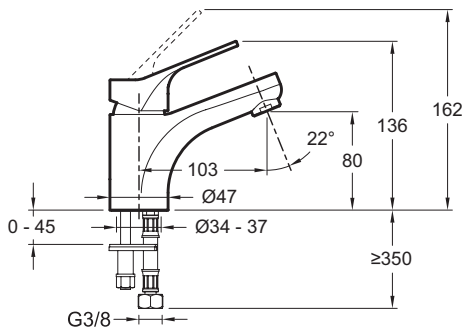
Consumer benefits

- SAFETY: Temperature control ring
- COMFORT: Considerable height under the aerator

Installation benefits

- INSTALLATION IN 35": product equipped with patented 5/35" system for fast, easy installation

Technical drawing



Product Specification: Single-lever basin mixer - patented 5/35" installation system. E75762-4. Collection: BRIVE. DIMENSIONS: 47 x 48.60 cm. WEIGHT: 1.3 kg. MATERIAL: 54. INSTALLATION TYPE: 1 hole. NORMS AND REGULATION: NF: I - ECAU: E00 Ch2 A3 U3 (Ps3) - ACS (Certificate of Sanitary Compliance): 15 ACC LY 472. TYPE: Single-lever. FLOW RATE: 5 l/mn. HEIGHT UNDER SPOUT: 136. SPOUT PROJECTION: 103. CONNECTION: With supply hoses. MECHANISM: Ceramic disc cartridge. WASTE : Without waste. SINGLE-LEVER TAP: SINGLE- LEVER MIXER. INSTALLATION TYPE: 1 hole. MECHANISM GUARANTEE: 5 years.

*Due to possible variations in computer and printer calibrations, technical factors and certain finish characteristics, the colors you see may not accurately portray the actual colors and are provided as a guide only.