

Shower arm 200mm

QTOO collection

d line

PRODUCT DATA SHEET

ITEM NUMBER

QS5219M
QS5219P

SURFACE

Brushed stainless steel
Polished stainless steel

PRODUCT

Shower arm for ceiling in marine grade stainless steel

PICTURE



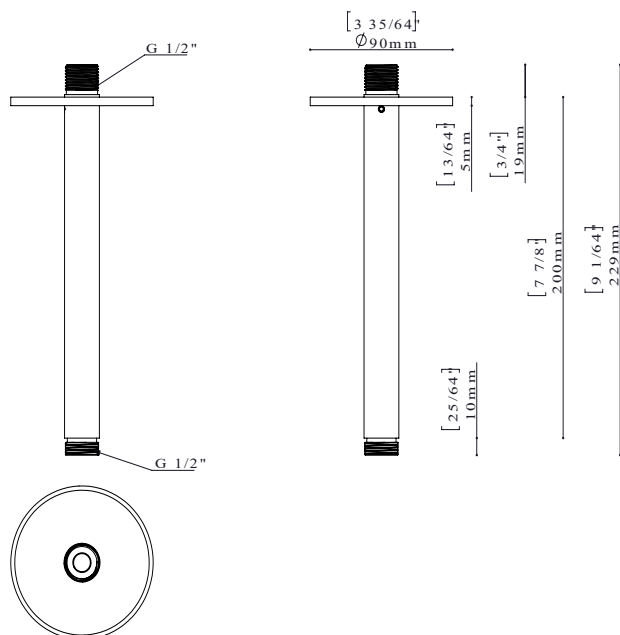
TENDER TEXT

Shower arm for ceiling in marine grade stainless steel. Lead free compliant and 10 year full warranty.

PRODUCT SPECIFICATION

Length 7 7/8" _200mm
1/2" connection
Rose diameter 3 1/2" _90mm
Marine grade stainless steel AISI316
Lead free compliant

DRAWING



SPARE PARTS / ACCESSORIES:

PRODUCT CARE

d line products are produced in the highest quality stainless steel, marine grade, AISI 316. To sustain the unique d line finish appearance please follow the below instructions:

- Wash down the surfaces using soapy water or mild detergent
- Always thoroughly rinse off with clean water
- To complete the cleaning procedure dry/polish the surfaces with a soft dry cloth

Please do not use scouring powder, steel wool, chloride based detergents or other aggressive cleaning products as these may damage the surface.

If spots or corrosion appear on the surface it is not due to the stainless steel quality, but to impurities in the environment, aggressive conditions or improper or insufficient cleaning.

Link to our maintenance guide: <https://dline.com/maintenance/>