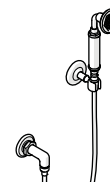


INSTALLATION GUIDELINES



STYLE No. RGHS01, RGHS02, RG01HS, RG02HS

Regulator Handshower on Hook with Black /Metal Handle

IMPORTANT:

- To ensure this product is installed properly, you must read and follow these guidelines.
- The owner/user of this product must keep this information for future reference.
- This product must be installed by a professional licensed contractor and must be onsite prior to rough-in, this allows the installer to visualize the installation.
- Be sure your installation conforms to federal, state, and local codes. In the State of Massachusetts, all installations must comply with the rules and regulations set forth within 248 CMR.
- Inspect this product to ensure you have all the parts required for proper installation. Product is sold partially assembled but shown fully disassembled for illustrative and service purposes only.
- Use only a strap wrench or protected/smooth-jaw wrench on any finished surface.
- The use of certain plumber's putty may stain stone or tile surfaces.
- If further assistance is required, please contact Product Support at 1-800-927-2120 Monday through Friday, 8am - 6pm EST.
- Refer to the separate Service Parts Documents for available replacement parts.

TECHNICAL DETAILS:

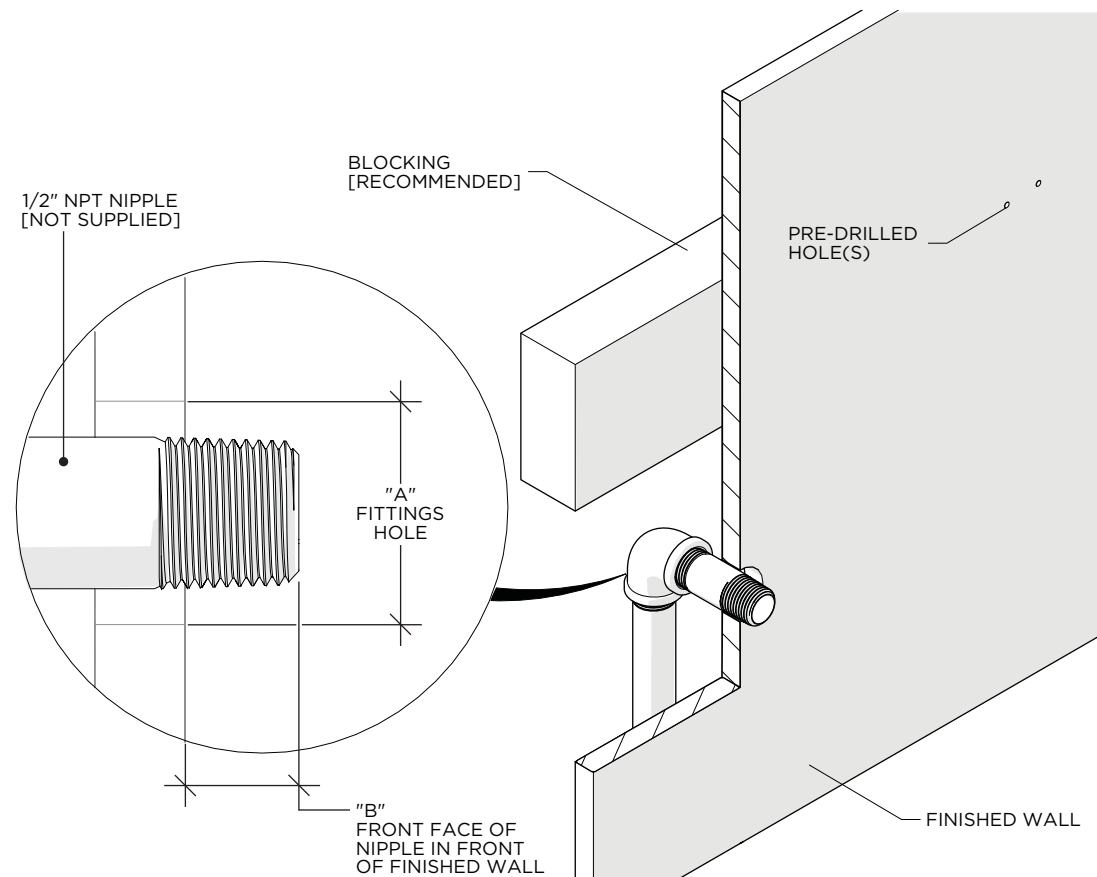
| ADJUSTABLE VERSUS FIXED SPRAY | FIXED |
|-------------------------------|--|
| DIAMETER OF HEAD | 2-3/4" [70mm] |
| HANDSHOWER HOSE LENGTH | 59" [1.5m] |
| INLET CONNECTION | 1/2" FEMALE NPT † |
| INTEGRATED DIVERTER | NO |
| PIVOT | NO |
| RESTRICTED MAXIMUM FLOW RATE | 2.5gpm [9.5L/min] |
| WATER PRESSURE RANGE | 20psi [1.5 bar] MIN 85psi [6.0 bar] MAX |
| WATER PRESSURE RECOMMENDED | 45psi [3.0 bar] |

† UK Style No. **RG01HS** and **RG02HS** are supplied with 1 **BSPP** adapter, assembly required.

ROUGH-IN:

- Determine the ideal location for the HANDSHOWER and rough-in a well supported 1/2" NPT MALE NIPPLE (not supplied) of appropriate length.
- Adequate blocking in the wall is recommended for mounting the HANDSHOWER HOOK using the 1-1/2" length WOOD SCREWS provided.
- DRYWALL ANCHORS, intended for use in a typical 1/2" drywall installation, are provided for situations where blocking is not installed.

| DIMENSION | VALUE |
|-----------|-------------|
| A | 1" [25mm] |
| B | 5/8" [16mm] |

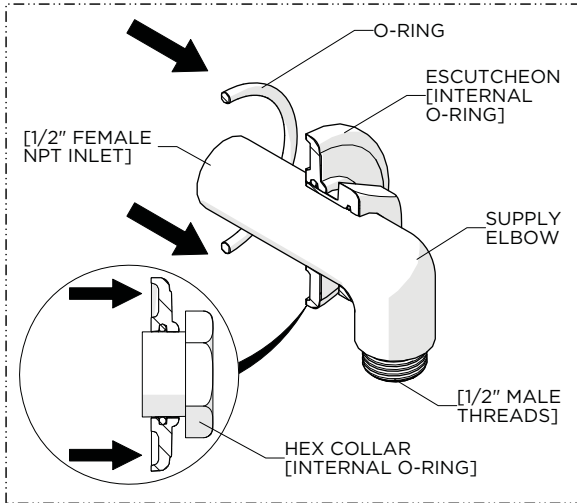
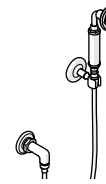


WATERWORKS

INSTALLATION GUIDELINES

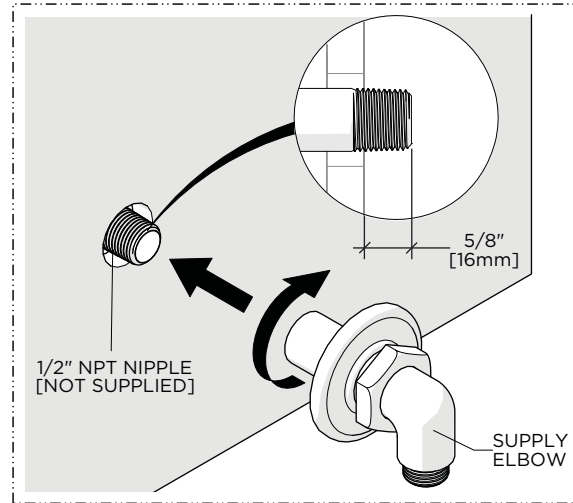
STYLE No. RGHS01, RGHS02, RG01HS, RG02HS

Regulator Handshower on Hook with Black /Metal Handle

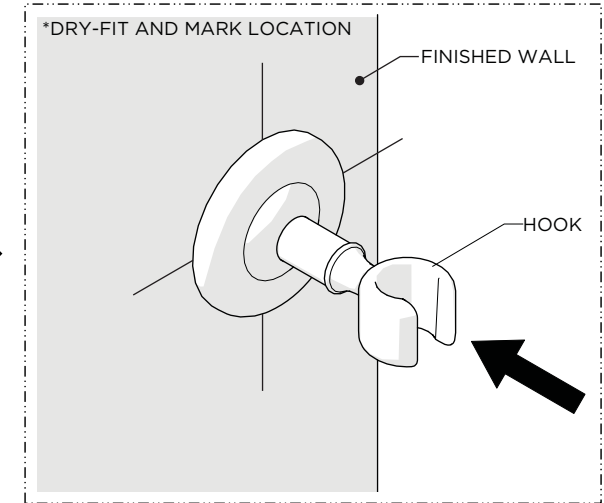


- Slide the HEX COLLAR, ESCUTCHEON, and O-RING onto the SUPPLY ELBOW.

NOTE: The ESCUTCHEON slides onto the HEX COLLAR and is held with an internal O-RING.

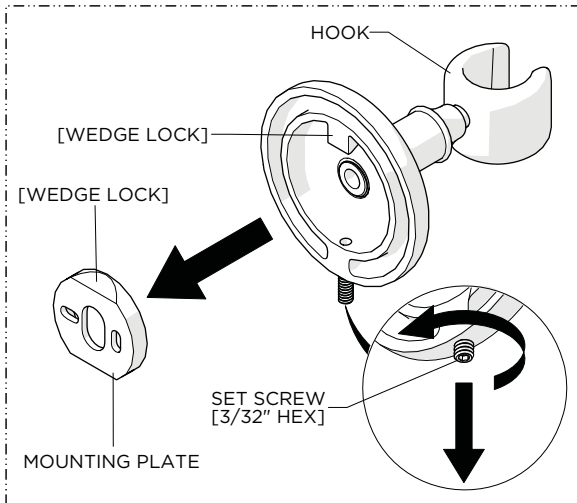


- Ensure the 1/2" NPT NIPPLE (not supplied) is 5/8" [16mm] from the surface of the finished wall then thread and securely tighten the SUPPLY ELBOW onto the NIPPLE.

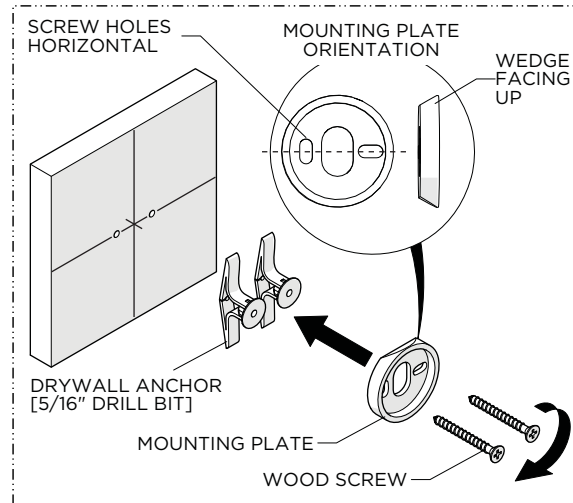


- Dry-fit the HOOK to the finished wall and mark the ideal location for installation; preferably over adequate blocking or stud material.

NOTE: DRYWALL ANCHORS provided, if needed.

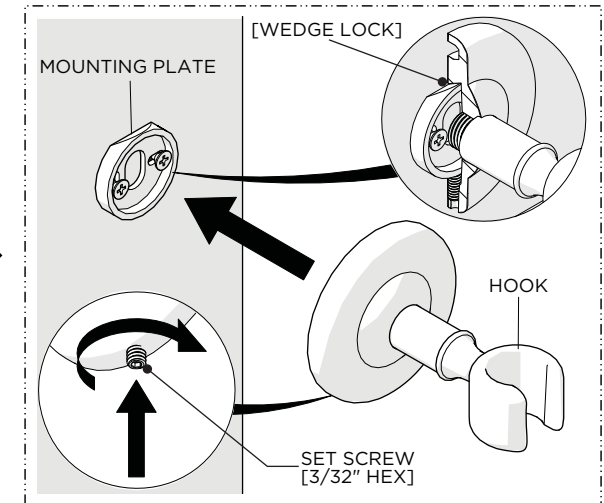


- Loosen, but do **NOT** remove, the SET SCREW on the bottom of the HOOK using a 3/32" HEX KEY and remove the MOUNTING PLATE.



- Using the previous marks as a reference, install the MOUNTING PLATE using the ANCHORS (if needed) and WOOD SCREWS provided.

CAUTION: Ensure the MOUNTING PLATE is in the correct orientation.

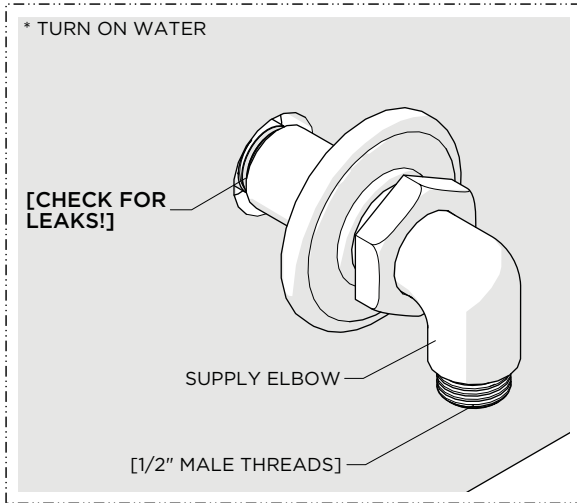


- Place the HOOK over the MOUNTING PLATE then securely tighten the SET SCREW.

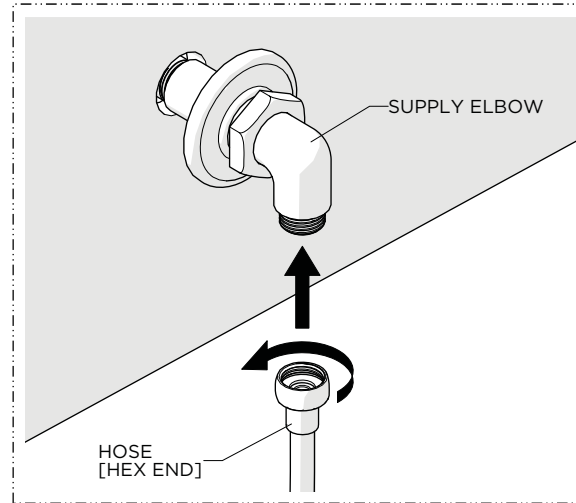
INSTALLATION GUIDELINES

STYLE No. RGHS01, RGHS02, RG01HS, RG02HS

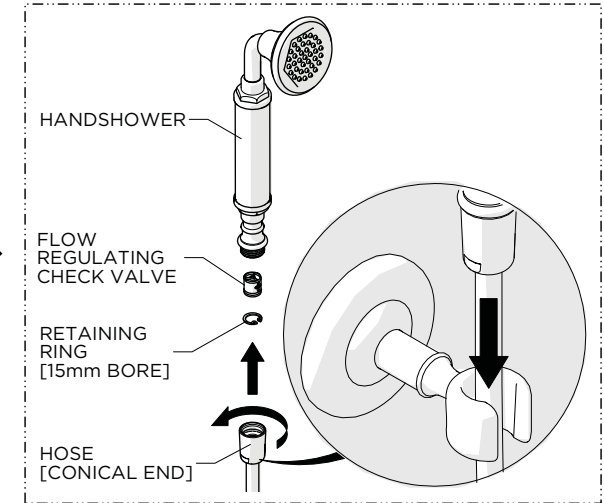
Regulator Handshower on Hook with Black /Metal Handle



7. Turn on the water and a diverter/wall valve (sold separately) to flush out any debris in the supply line and inspect all connections for leaks then turn the water off.

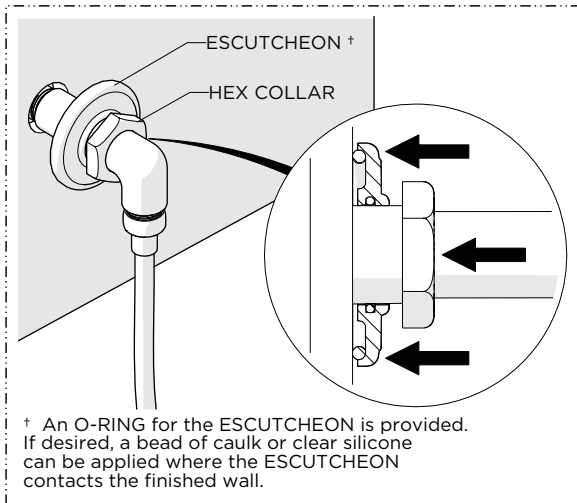


8. Thread and securely tighten the hex end of the HOSE to the ELBOW.



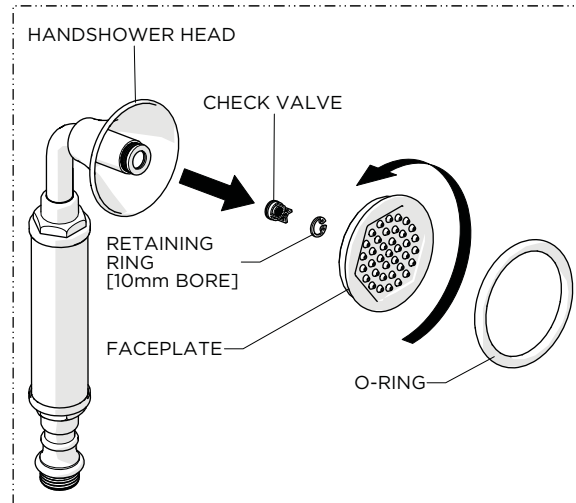
9. Thread and securely tighten the conical end of the HOSE to the HANDSHOWER then place it into the HOOK.

NOTE: A FLOW REGULATING CHECK VALVE is located in the inlet of the HANDSHOWER.



10. Slide the ESCUTCHEON and HEX COLLAR down the SUPPLY ELBOW until they contact the finished wall.

† An O-RING for the ESCUTCHEON is provided. If desired, a bead of caulk or clear silicone can be applied where the ESCUTCHEON contacts the finished wall.



SERVICING ONLY:

1. To clean or replace the CHECK VALVE located inside the HANDSHOWER HEAD, remove the protective O-RING, unthread and remove the FACEPLATE, and remove the RETAINING RING.