

HITACHI

CG25EJ/CG25EJ (L)/CG25EJ (SL)

CG25EJ (S)/CG25EJ (SDL)

CG27EJ (S)/CG27EJ (SL)/CG27EJ (SLD)

CG28EJ/CG28EJ (L)/CG28EJ (SL)

CG33EJ/CG33EJ (L)/CG33EJ (S)

**G
B**

**S
E**

**D
K**

**N
O**

**F
I**

**R
U**

**Owner's manual
Ägarhandbok
Betjeningsvejledning
Bruksanvisning
Omistajan opas
Руководство пользователя**

HITACHI

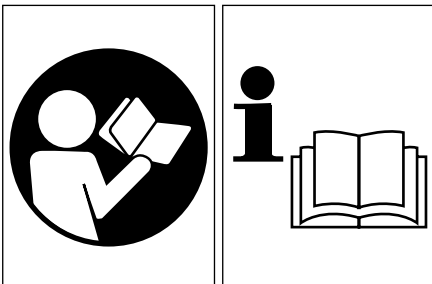
CG25EJ/CG25EJ (L)/CG25EJ (SL)

CG25EJ (S)/CG25EJ (SDL)

CG27EJ (S)/CG27EJ (SL)/CG27EJ (SLD)

CG28EJ/CG28EJ (L)/CG28EJ (SL)


CG33EJ/CG33EJ (L)/CG33EJ (S)



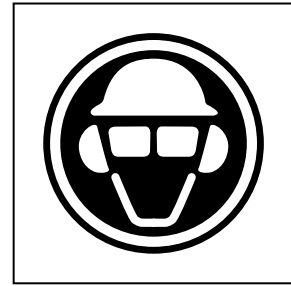
Read the manual carefully before operating this machine.

Owner's manual

Meanings of symbols or labels. (NOTE! Some units do not carry them)

 **WARNING**

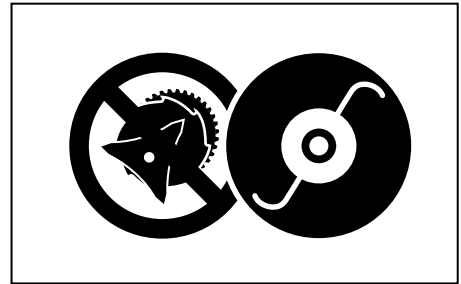
The engine exhaust from this product contains chemicals known to the State of California to cause cancer, birth defects and other reproductive harm.



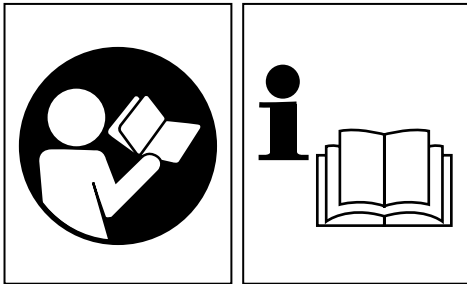
Always wear eye, head and ear protectors when using this unit.



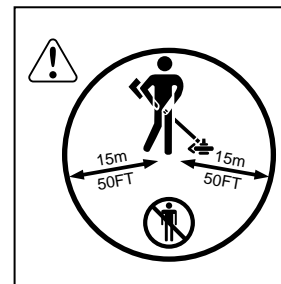
Read, understand and follow all warnings and instructions in this manual and on the unit.



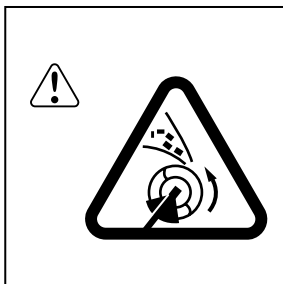
Do not use metal/rigid blades when this sign is shown on the unit.



It is important that you read, fully understand and observe the following safety precautions and warnings. Careless or improper use of the unit may cause serious or fatal injury.



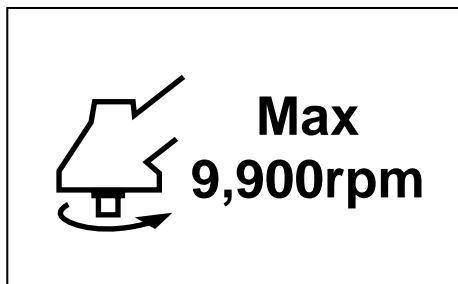
Keep all children, bystanders and helpers 15m away from the unit. If anyone approaches you, stop the engine and cutting attachment immediately.



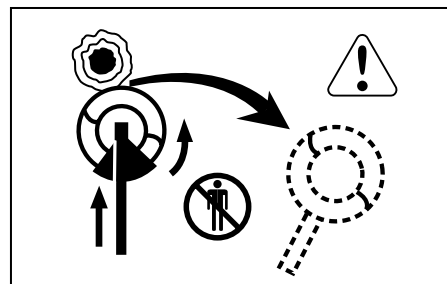
Be careful of thrown objects.



Use anti-slip and sturdy footwear.



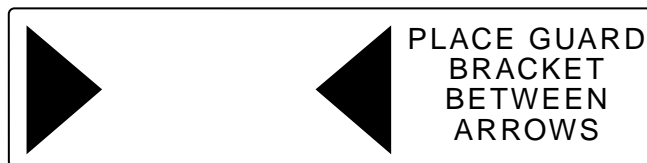
Shows maximum shaft speed. Do not use the cutting attachment whose max rpm is below the shaft rpm.



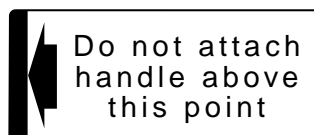
Blade thrust may occur when the spinning blade contacts a solid object in the critical area. A dangerous reaction may occur causing the entire unit and operator to be thrust violently. This reaction is called BLADE THRUST. As a result, the operator may lose control of the unit which may cause serious or fatal injury. Blade thrust is more likely to occur in areas where it is difficult to see the material to be cut.



Gloves should be worn when necessary, e. g., when assembling cutting equipment.



Indicates blade guard location for a trimmer head or Brain head®.



Indicate handle location. Do not attach handle above this point.

⚠ WARNING!

- Read the Operator's Manual and follow all warnings and safety instructions. Failure to do so can result in serious injury to the operator and /or bystanders.
- Objects may be thrown or ricochet in all directions. ALWAYS WEAR EYE PROTECTION.
- Keep bystanders at least 50 feet (15m) away.
- To reduce the chance of hearing loss, always wear ear protection.
- To reduce the risk of injury from loss of control, never use a metal blade on a curved shaft grass trimmer. Never use a metal blade on any brushcutter without barrier bar or bicycle handle configuration and safety strap
- Use of a blade may cause a sudden sideways, forward or backward motion of the brushcutter when the blade contacts a solid object. See Owner's manual for model specific details.

Before using your machine

- Read the manual carefully.
- Check that the cutting equipment is correctly assembled and adjusted.
- Start the unit and check the carburetor adjustment. See "Maintenance".

Declaration of conformity

We, Nikko Tanaka Engineering Co., Ltd., 3-4-29 Tsudanuma, Narashino,
Chiba, Japan

Declare under our sole responsibility that the product, brushcutter model

CG25EJ/CG25EJ (L)/CG25EJ (SL)
CG25EJ (S)/CG25EJ (SDL)
CG27EJ (S)/CG27EJ (SL)/CG27EJ (SLD)
CG28EJ/CG28EJ (L)/CG28EJ (SL)
CG33EJ/CG33EJ (L)/CG33EJ (S)

to which this declaration relates is in conformity with the essential safety
requirements of directives.

98/37/EC, 89/336/EEC, 2000/14/EC

The following standards have been taken into consideration

ISO 7112/7113/7916/7917/7918/8380/11682

(EN ISO 12100-1/2, EN ISO 11806)

Manufactured at : Chiba, Japan

Signature:



Serial No. up from

E570001

Yoshio Osada

Position:

Director

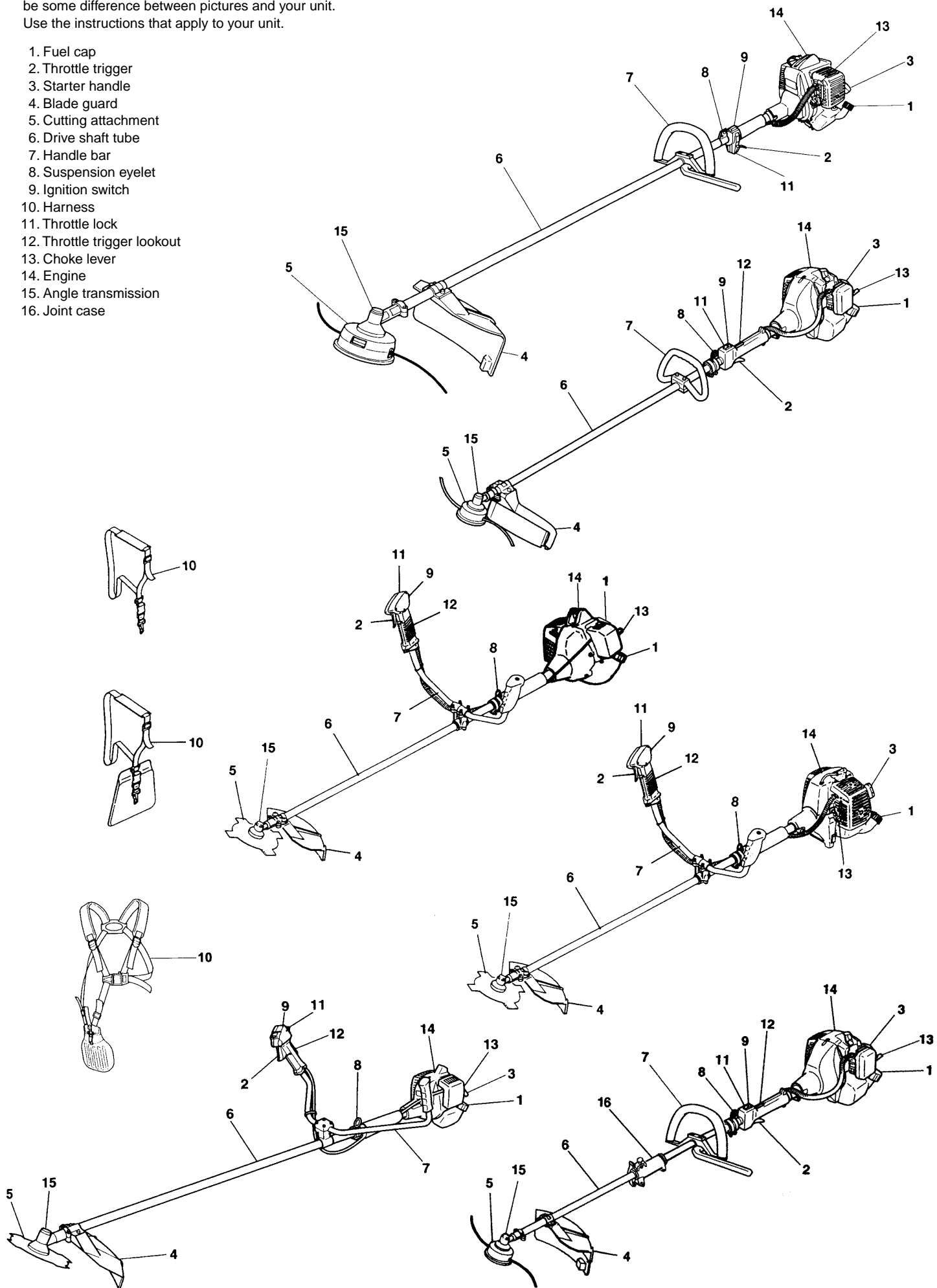
Index

What is what? _____	5
Warnings and safety instructions _____	6
Assembly procedures _____	7
Operating procedures _____	10
Maintenance _____	13
Specifications _____	15

1. What is what?

Since this manual covers several models, there may be some difference between pictures and your unit. Use the instructions that apply to your unit.

1. Fuel cap
2. Throttle trigger
3. Starter handle
4. Blade guard
5. Cutting attachment
6. Drive shaft tube
7. Handle bar
8. Suspension eyelet
9. Ignition switch
10. Harness
11. Throttle lock
12. Throttle trigger lookout
13. Choke lever
14. Engine
15. Angle transmission
16. Joint case



2. Warnings and safety instructions

Operator safety

- Always wear a safety face shield or goggles.
- Always wear heavy, long pants, boots and gloves. Do not wear loose clothing, jewelry, short pants, sandals or go barefoot. Secure hair so it is above shoulder length.
- Do not operate this tool when you are tired, ill or under the influence of alcohol, drugs or medication.
- Never let a child or inexperienced person operate the machine.
- Wear hearing protection.
- Never start or run the engine inside a closed room or building. Breathing exhaust fumes can kill.
- Keep handles free of oil and fuel.
- Keep hands away from cutting equipment.
- Do not grab or hold the unit by the cutting equipment.
- When the unit is turned off, make sure the cutting attachment has stopped before the unit is set down.
- When operation is prolonged, take a break from time to time so that you may avoid possible whitefinger disease which is caused by vibration.

Unit / machine safety

- Inspect the entire unit/machine before each use. Replace damaged parts. Check for fuel leaks and make sure all fasteners are in place and securely tightened.
- Replace parts that are cracked, chipped or damaged in any way before using the unit/machine.
- Make sure the safety guard is properly attached.
- Keep others away when making carburetor adjustments.
- Use only accessories as recommended for this unit/machine by the manufacturer.

WARNING!

Never modify the unit/machine in any way. Do not use your unit/machine for any job except that for which it is intended.

Fuel safety

- Mix and pour fuel outdoors and where there are no sparks or flames.
- Use a container approved for fuel.
- Do not smoke or allow smoking near fuel or the unit/machine or while using the unit/machine.
- Wipe up all fuel spills before starting engine.

- Move at least 3 m away from fueling site before starting engine.
- Stop engine before removing fuel cap.
- Empty the fuel tank before storing the unit/machine. It is recommended that the fuel be emptied after each use. If fuel is left in the tank, store so fuel will not leak.
- Store unit/machine and fuel in area where fuel vapors cannot reach sparks or open flames from water heaters, electric motors or switches, furnaces. etc.

WARNING!

Antivibration systems do not guarantee that you will not sustain whitefinger disease or carpal tunnel syndrome. Therefore, continual and regular users should monitor closely the condition of their hands and fingers. If any of the above symptoms appear, seek medical advice immediately.

Cutting safety

- Do not cut any material other than grass and brush.
- Inspect the area to be cut before each use. Remove objects which can be thrown or become entangled.
- For respiratory protection, wear an aerosol protection mask when cutting the grass after insecticide is scattered.
- Keep others including children, animals, bystanders and helpers outside the 15 m hazard zone. Stop the engine immediately if you are approached.
- Always keep the engine on the right side of your body.
- Hold the unit/machine firmly with both hands.
- Keep firm footing and balance. Do not over-reach.
- Keep all parts of your body away from the muffler and cutting attachment when the engine is running.
- Keep cutting attachment below waist level.

Maintenance safety

- Maintain the unit/machine according to recommended procedures.
- Disconnect the spark plug before performing maintenance except for carburetor adjustments.
- Keep others away when making carburetor adjustments.
- Use only genuine HITACHI replacement parts as recommended by the manufacturer.

Transport and storage

- Carry the unit/machine by hand with the engine stopped and the muffler away from your body.
- Allow the engine to cool, empty the fuel tank, and secure the unit/machine before storing or transporting in a vehicle.
- Empty the fuel tank before storing the unit/machine. It is recommended that the fuel be emptied after each use. If fuel is left in the tank, store so fuel will not leak.
- Store unit/machine out of the reach of children.
- Clean and maintain the unit carefully and store it in a dry place
- Make sure engine switch is off when transporting or storing.
- When transporting in a vehicle, cover blade with blade cover.

If situations occur which are not covered in this manual, take care and use common sense. Contact HITACHI dealer if you need assistance. Pay special attention to statements preceded by the following words:

WARNING!

Indicates a strong possibility of severe personal injury or loss of life, if instructions are not followed.

CAUTION!

Indicates a possibility of personal injury or equipment damage, if instructions are not followed.

NOTE!

Helpful information for correct function and use.

CAUTION!

Do not disassemble the recoil starter. You may get a possibility of personal injury with recoil spring.

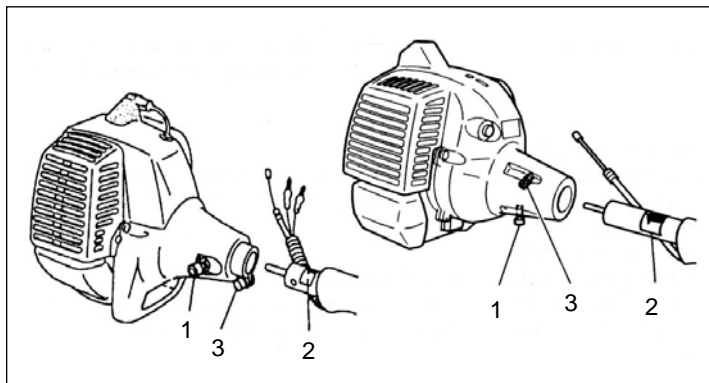


Fig.1-1

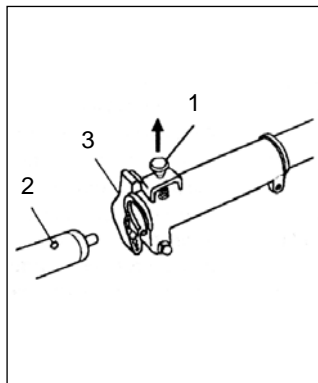


Fig.1-1B

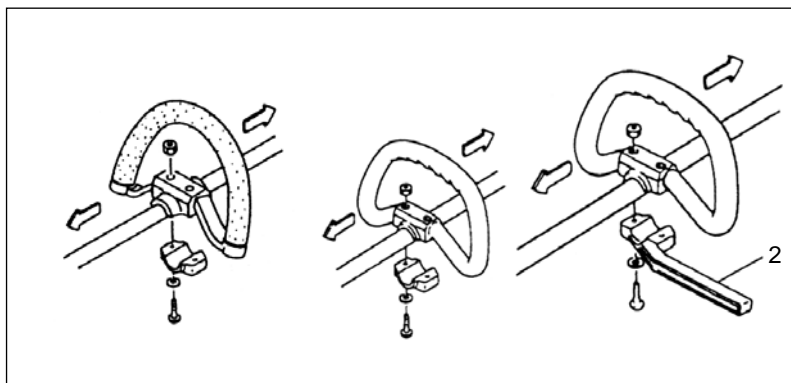


Fig.1-2

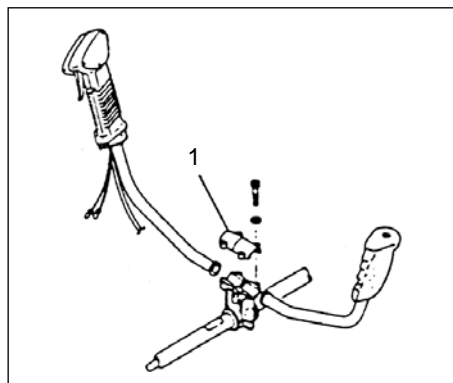


Fig.1-3

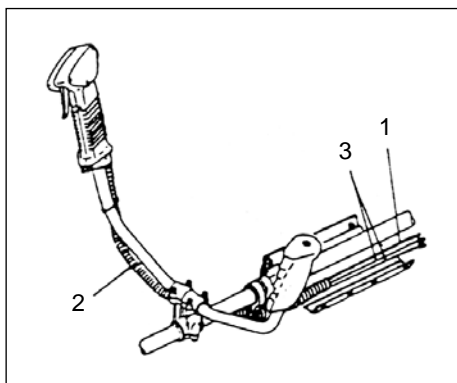


Fig.1-3B

3. Assembly procedures

Drive shaft to engine (Fig. 1-1)

Loosen tube locking bolt (1) about ten turns so that the bolt point will not obstruct drive shaft tube to be inserted. When inserting drive shaft tube, hold the tube locking bolt outward preventing inside fitting from obstructing as well. Insert the drive shaft into the clutch case of the engine properly until the marked position (2) on the drive shaft tube meets the clutch case.

NOTE!

When it is hard to insert drive shaft up to the marked position on the drive shaft tube, turn drive shaft by the cutter mounting end clockwise or counter-clockwise. Tighten tube locking bolt lining up the hole in the shaft tube. Then tighten clamp bolt securely (3).

Installation of attachment

1. Join the attachment in place of it.
2. Make sure the lock pin (1) fits in the location hole (2) of tube and that the tube will not come off. (Fig. 1-1B)
3. Tighten the knob nut (3) securely. (Fig. 1-1B)

Installation of handle

⚠ WARNING!

When you use steel/rigid blades on straight shaft trimmers or brush cutters, always use barrier bar (2) and shoulder harness with the loop handle. (Fig.1-2)

Attach the handle to the drive shaft tube with the angle towards the engine. Adjust the location to the most comfortable position before operation.

Remove the handle bracket (1) from the assembly. (Fig. 1-3)

Place the handles and attach the handle bracket with four bolts lightly. Adjust to appropriate position. Then fix it firmly with the bolts.

Put stop cords (3) and throttle wire (1) through protective tube (2), then unhook the hip pad. (Fig. 1-3B)

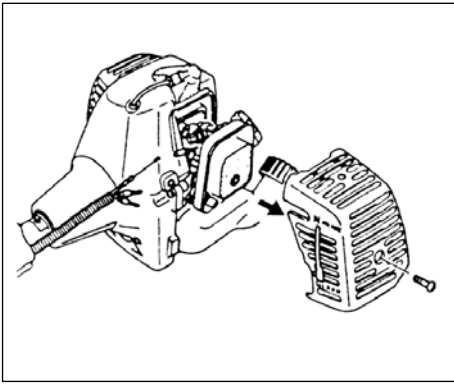


Fig. 1-4

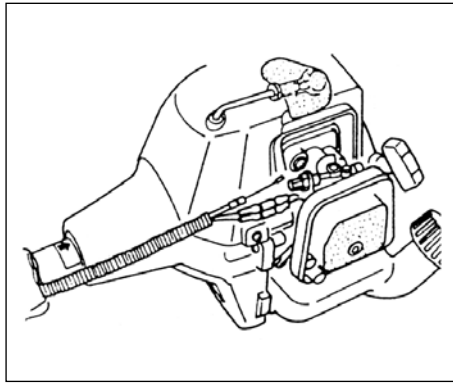


Fig. 1-5

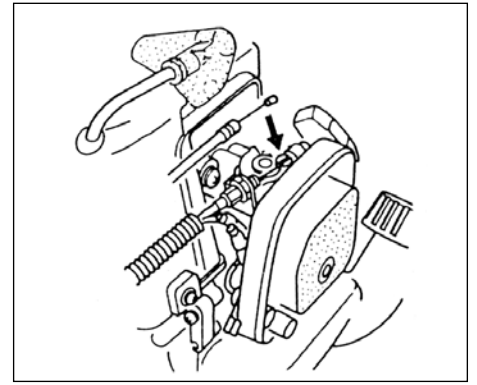


Fig. 1-6

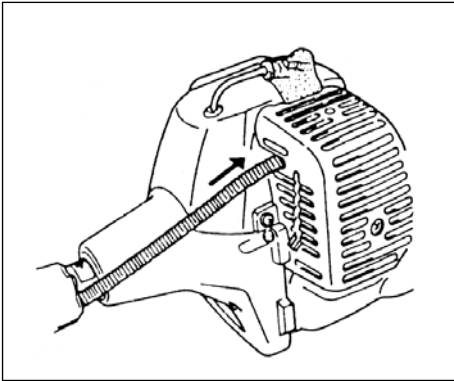


Fig. 1-7

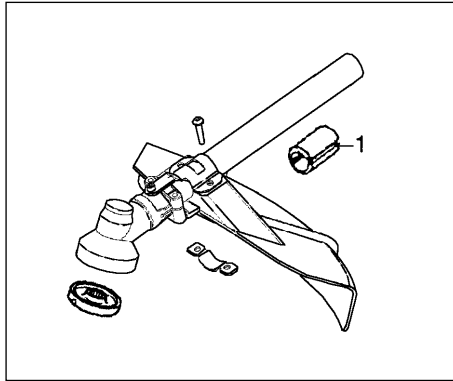


Fig. 1-8

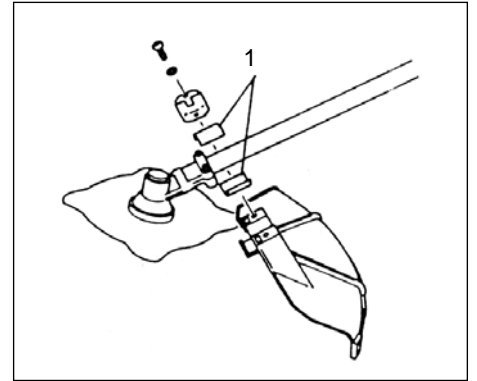


Fig. 1-8B

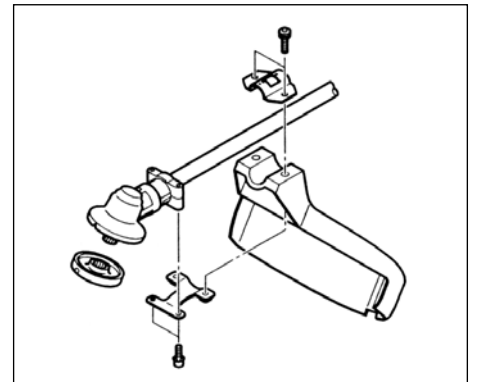


Fig. 1-8E

Throttle wire / stop cord

Remove air cleaner cover. (Fig. 1-4)

Connect stop cords. (Fig. 1-5)

Connect throttle wire end to carburetor. (Fig. 1-6)

Cover throttle wire and stop cords together with protective tube provided up to air cleaner cover. (Fig. 1-7)

Installation of blade guard

(Fig. 1-8, 8B)

Install the blade guard and the bracket spacers (1) (if so equipped) on drive shaft tube against angle transmission. Tighten the guard bracket firmly so that the blade guard does not swing or move down during operation.

Install the blade guard to the guard bracket, which also secures the guard to the gear case using the two guard mounting screws.

CAUTION!

Some blade guards are equipped with sharp line limiters. Be careful with handling it.

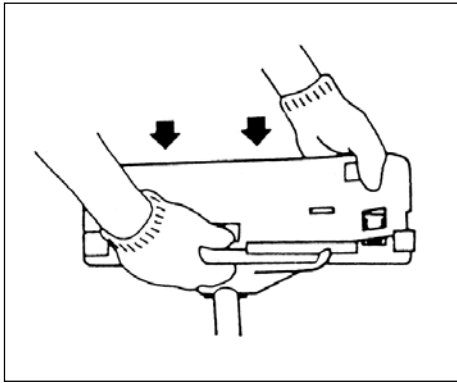


Fig. 1-9

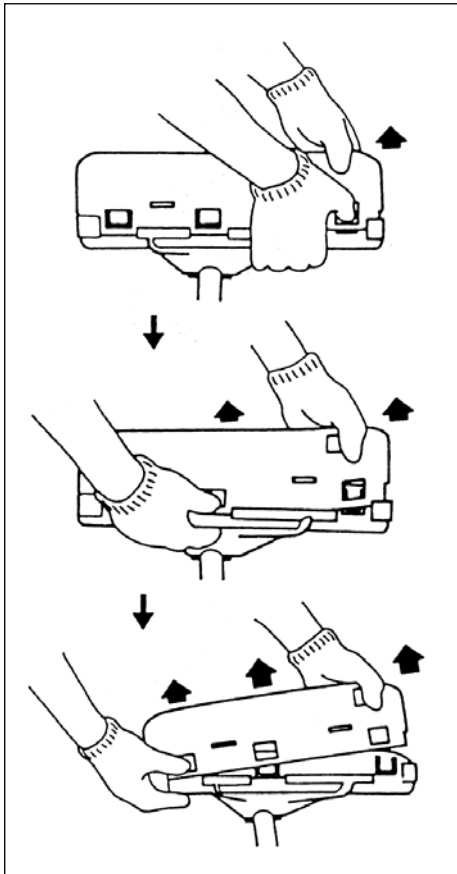


Fig. 1-9C

When using a trimmer head (2) with two piece type blade guard, attach the guard extension to the blade guard. (Fig. 1-9)

NOTE!

If your unit has guard location label on drive shaft tube, follow the indication.

NOTE!

To remove the guard extension, refer to the drawings. Wear gloves as the extension has a sharp line limiter, then push the four square tabs on the guard one by one in order. (Fig. 1-9C)

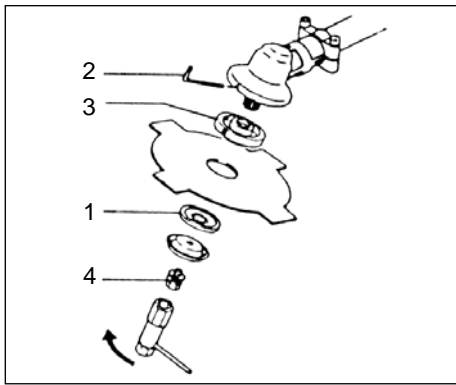


Fig. 1-10

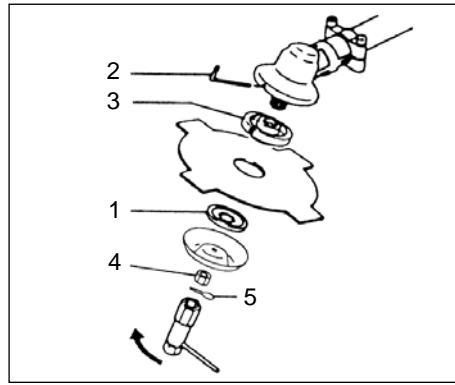


Fig. 1-10B

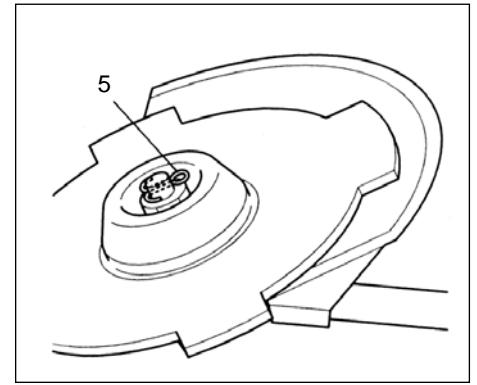


Fig. 1-10C

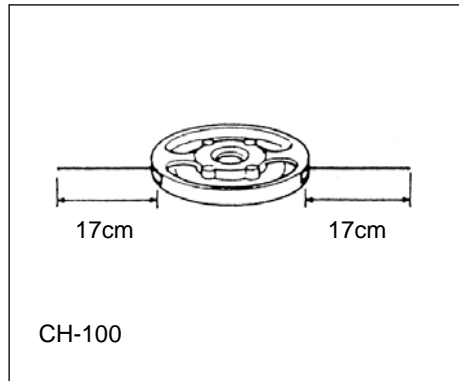


Fig. 1-11

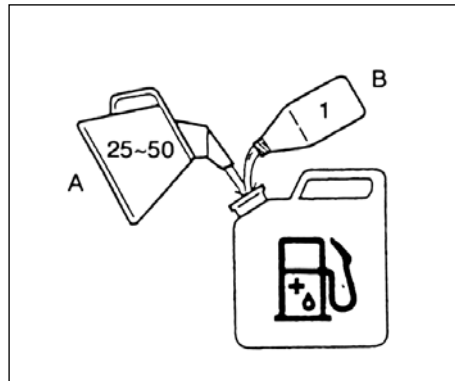


Fig. 2-1

Installation of cutting blade (Fig.1-10,10B)

(If so equipped)
When installing a cutting blade, make sure that there are no cracks or any damage in it and that the cutting edges are facing the correct direction.

NOTE!

When installing cutter holder cap (1), be sure to set concave side upward.
Insert the allen wrench (2) into the hole of the angle transmission in order to lock the cutter holder (3). Please note that the cutter fixing bolt or nut (4) has left-handed threads, (clockwise to loosen/counter-clockwise to tighten). Tighten the fixing bolt or nut with the box wrench.

NOTE!

If your unit is of a nut securing type and equipped with a cotter pin, the blade must be retained with a new cotter pin (5) each time installed. (Fig. 1-10C)

CAUTION!

Before operation, make sure the blade has been properly installed.

CAUTION!

If your unit is equipped with protection cover under a cutting blade, check it for wear or cracks before operation. If any damage or wear is found, replace it, as it is an article of consumption.

Installation of the BRAIN® cutting head

NOTE!

For installation see your BRAIN® Owner's manual, provided with the BRAIN® cutting head.

⚠ WARNING!

For HITACHI BRAIN heads or HITACHI alloy head, use only flexible, non-metallic line recommended by the manufacturer. Never use wire or wire ropes. They can break off and become a dangerous projectile.

NOTE!

When using HITACHI alloy head (CH-100), initial cutting line length should be about 17cm each. (Fig. 1-11)

4. Operating procedures.

Fuel (Fig. 2-1)

⚠ WARNING!

The trimmer is equipped with a two-stroke engine. Always run the engine on fuel, which is mixed with oil. Provide good ventilation, when fueling or handling fuel.

Fuel

- Always use branded 89 octane unleaded gasoline.
- Use genuine two-cycle oil or use a mix between 25:1 to 50:1, please consult the oil bottle for the ratio or HITACHI dealer.
- Only for the state of California at 50:1.
- If genuine oil is not available, use an antioxidant added quality oil expressly labeled for air-cooled 2-cycle engine use (JASO FC GRADE OIL or ISO EGC GRADE). Do not use BIA or TCW (2-stroke water-cooling type) mixed oil.
- Never use multi-grade oil (10 W/30) or waste oil.
- Always mix fuel and oil in a separate clean container.

Always start by filling half the amount of fuel, which is to be used. Then add the whole amount of oil. Mix (shake) the fuel mixture. Add the remaining amount of fuel.
Mix (shake) the fuel-mix thoroughly before filling the fuel tank.

Fueling

⚠ WARNING!

- Always shut off the engine before refueling.
- Slowly open the fuel tank, when filling up with fuel, so that possible over-pressure disappears.
- Tighten the fuel cap carefully, after fueling.
- Always move the trimmer at least 3 m (10 ft.) from the fueling area before starting.

Before fueling, clean the tank cap area carefully, to ensure that no dirt falls into the tank. Make sure that the fuel is well mixed by shaking the container, before fueling.

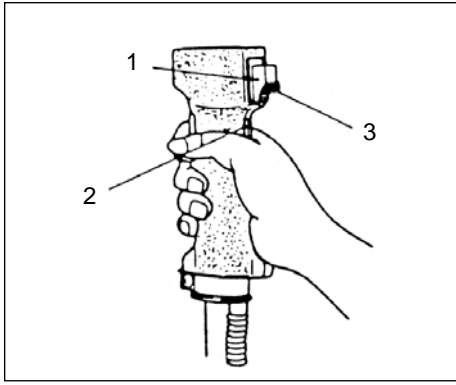


Fig.2-2

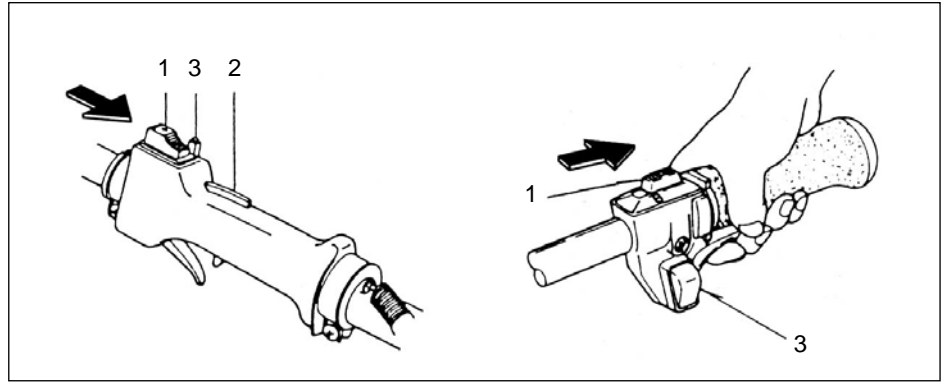


Fig.2-2B

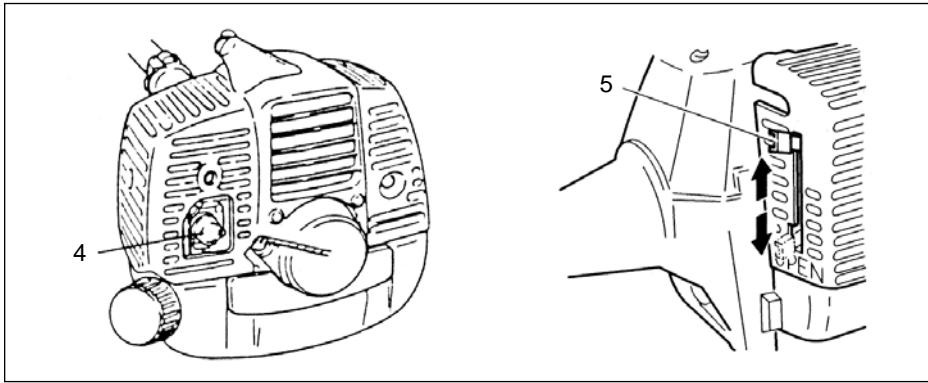


Fig.2-2C

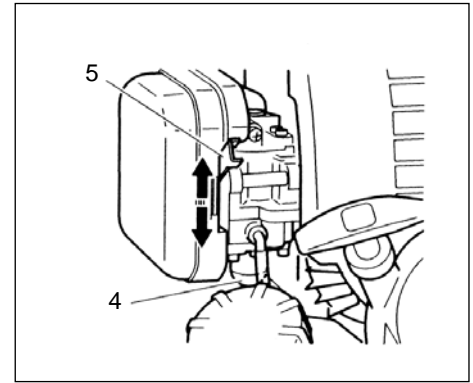


Fig.2-3

Starting (Fig. 2-2, 2B)

CAUTION!

Before starting, make sure the cutting attachment does not touch anything.

1. Set ignition switch (1) to ON position. (Fig. 2-2, 2B)
- *Push priming bulb (4) several times so that fuel flows through the bulb or return pipe. (If so equipped)(Fig. 2-2C, 3)
2. With the safety trigger (2) pressed (if so equipped), pull throttle trigger and push throttle lock (3), then slowly release the throttle trigger first, then the safety trigger. This will lock the throttle in starting position.
3. Set choke lever to CLOSED position (5). (Fig. 2-2C, 3)
4. Pull recoil starter briskly, taking care to keep the handle in your grasp and not allowing it to snap back.
5. When you hear the engine want to start, return choke lever to RUN position (open). Then pull recoil starter briskly again.

NOTE!

If engine does not start, repeat procedures from 2 to 5.

6. After starting engine, pull throttle trigger to release throttle lock. Then allow the engine about 2-3 minutes to warm up before subjecting it to any load.



Fig. 2-4

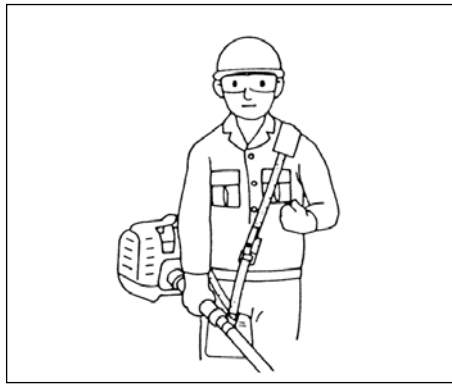


Fig. 2-4B

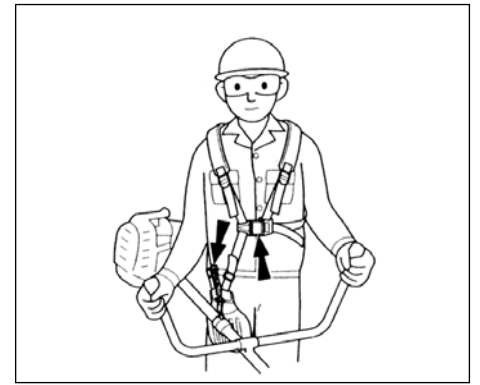


Fig. 2-4C

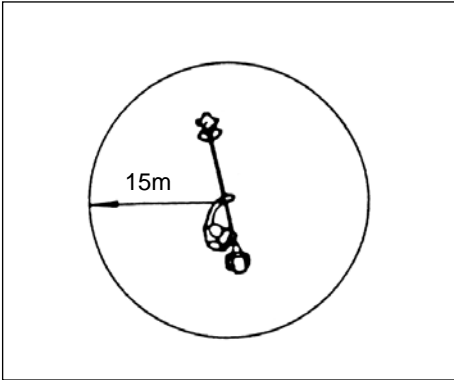


Fig. 2-4D

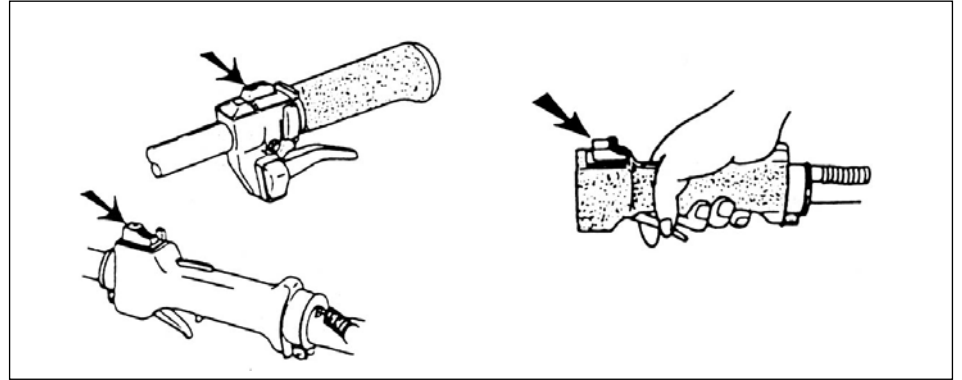


Fig. 2-5

Cutting (Fig. 2-4, 4B, 4C, 4D)

- When cutting, operate engine at over 6500 rpm. Extended time of use at low rpm may wear out the clutch prematurely.
- Cut grass from right to left.
- Blade thrust may occur when the spinning blade contacts a solid object in the critical area. A dangerous reaction may occur causing the entire unit and operator to be thrust violently. This reaction is called BLADE THRUST. As a result, the operator may lose control of the unit which may cause serious or fatal injury. Blade thrust is more likely to occur in areas where it is difficult to see the material to be cut.
- Wear the harness as shown in the figure (if so equipped). The blade turns counter-clockwise, therefore, be advised to operate the unit from right to left for efficient cutting. Keep onlookers out of working area at least 15 m (50 ft.).

NOTE!

Press the quick release button or pull emergency release flap (If so equipped) in the event of emergency. (Fig. 2-4C)

⚠ WARNING!

If cutting attachment should strike against stones or other debris, stop the engine and make sure that the attachment and related parts are undamaged. When grass or vines wrap around attachment, stop engine and attachment and remove them.

Stopping (Fig. 2-5)

- Decrease engine speed and run at an idle for a few minutes, then turn off ignition switch.

⚠ WARNING!

A cutting attachment can injure while it continues to spin after the engine is stopped or power control is released. When the unit is turned off, make sure the cutting attachment has stopped before the unit is set down.

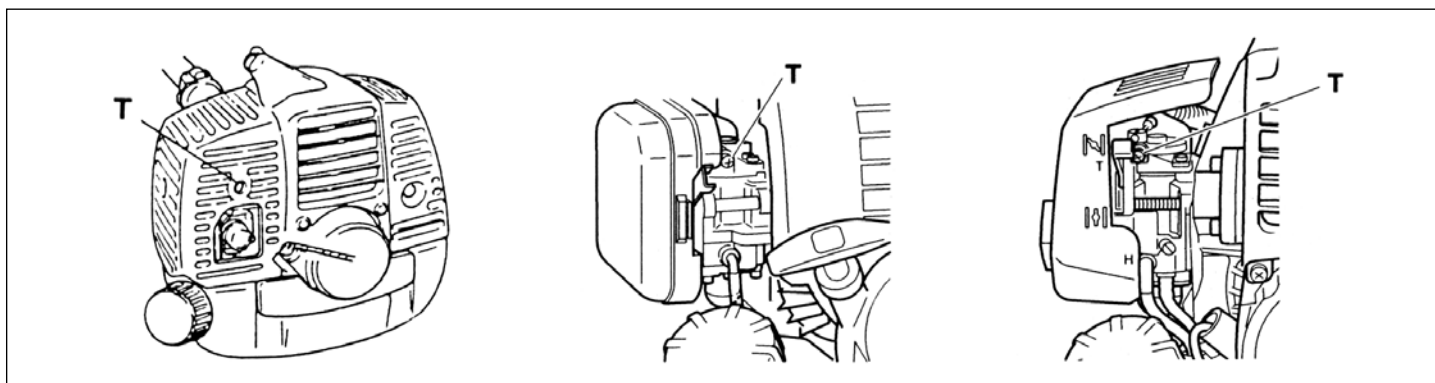


Fig. 3-1

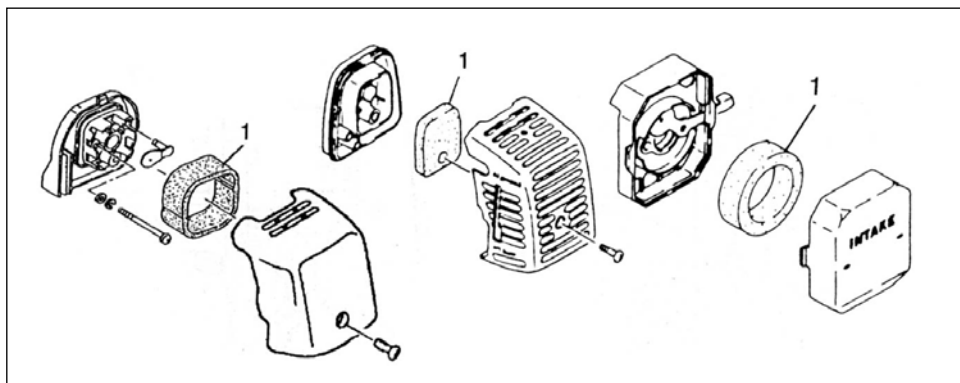


Fig. 3-2

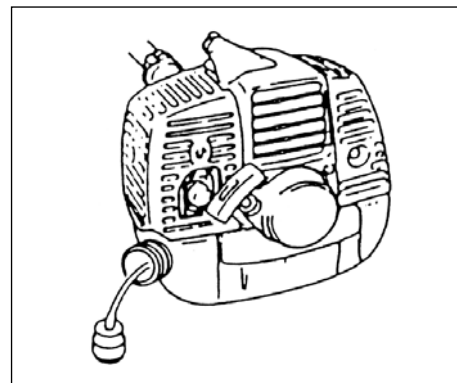


Fig. 3-2B

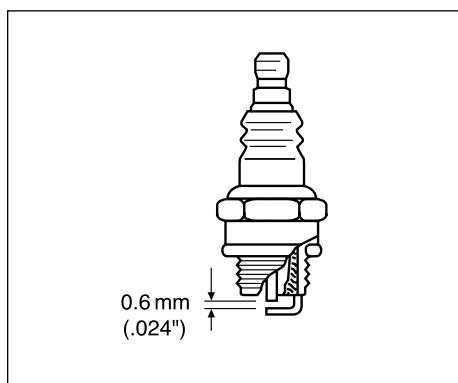


Fig. 3-3

5. Maintenance

MAINTENANCE, REPLACEMENT, OR REPAIR OF THE EMISSION CONTROL DEVICES AND SYSTEMS MAY BE PERFORMED BY ANY NON-ROAD ENGINE REPAIR ESTABLISHMENT OR INDIVIDUAL.

Carburetor adjustment (Fig. 3-1)

⚠ WARNING!

The cutting attachment may be spinning during carburetor adjustments.

⚠ WARNING!

Never start the engine without the complete clutch cover and tube assembled! Otherwise the clutch can come loose and cause personal injuries.

In the carburetor, fuel is mixed with air. When the engine is test run at the factory, the carburetor is basically adjusted. A further adjustment may be required, according to climate and altitude. The carburetor has one adjustment possibility:

T = Idle speed adjustment screw.

Idle speed adjustment (T)

Check that the air filter is clean. When the idle speed is correct, the cutting attachment will not rotate. If adjustment is required, close (clockwise) the T-screw, with the engine running, until the cutting attachment starts to rotate. Open (counter-clockwise) the screw until the cutting attachment

stops. You have reached the correct idle speed when the engine runs smoothly in all positions well below the rpm when the cutting attachment starts to rotate.

If the cutting attachment still rotates after idle speed adjustment, contact your service workshop.

NOTE!

Standard Idle rpm is 2500~3000 rpm.

NOTE!

Some models sold areas with strict exhaust emission regulation do not have high and low speed carburetor adjustments. Such adjustments may allow the engine to be operated outside of their emission compliance limits. For these models, the only carburetor adjustment is idle speed.

For models that equipped with low and high speed adjustments; carburetors are pre set at the factory. Minor adjustments may optimize performance based on climate, altitude, etc. Never turn the adjustment screws in increments greater than 90 degrees, as engine damage can result from incorrect adjustment. If you are not familiar with type of adjustment-assistance HITACHI dealer.

⚠ WARNING!

When the engine is idling the cutting attachment must under no circumstances rotate.

Air filter (Fig. 3-2)

The air filter must be cleaned from dust and dirt in order to avoid:

- Carburetor malfunctions.
- Starting problems.
- Engine power reduction.
- Unnecessary wear on the engine parts.
- Abnormal fuel consumption.

Clean the air filter daily or more often if working in exceptionally dusty areas.

Cleaning the air filter

Remove the air filter cover and the filter (1). Rinse it in warm soap suds. Check that the filter is dry before reassembly. An air filter that has been used for some time cannot be cleaned completely. Therefore, it must regularly be replaced with a new one. A damaged filter must always be replaced.

Fuel filter (Fig. 3-2B)

Drain all fuel from fuel tank and pull fuel filter line from tank. Pull filter element out of holder assembly and rinse element in warm water with detergent.

Rinse thoroughly until all traces of detergent are eliminated. Squeeze, do not wring, away excess water and allow element to air dry.

NOTE!

If element is hard due to excessive dirt buildup, replace it.

Spark plug (Fig. 3-3)

The spark plug condition is influenced by:

- An incorrect carburetor setting.
- Wrong fuel mixture (too much oil in the gasoline)
- A dirty air filter.
- Hard running conditions (such as cold weather).

These factors cause deposits on the spark plug electrodes, which may result in malfunction and starting difficulties. If the engine is low on power, difficult to start or runs poorly at idling speed, always check the spark plug first. If the spark plug is dirty, clean it and check the electrode gap. Re-adjust if necessary. The correct gap is 0.6 mm. The spark plug should be replaced after about 100 operation hours or earlier if the electrodes are badly eroded.

NOTE!

In some areas, local law requires using a resistor spark plug to suppress ignition signals. If this machine was originally equipped with resistor spark plug, use same type of spark plug for replacement.

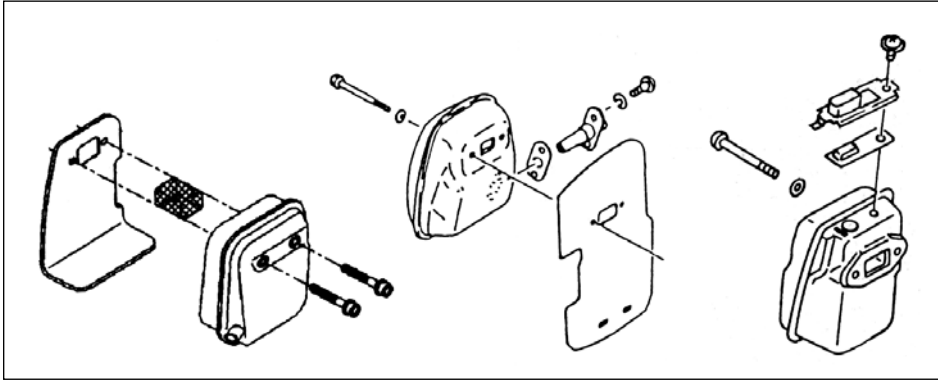


Fig.3-4

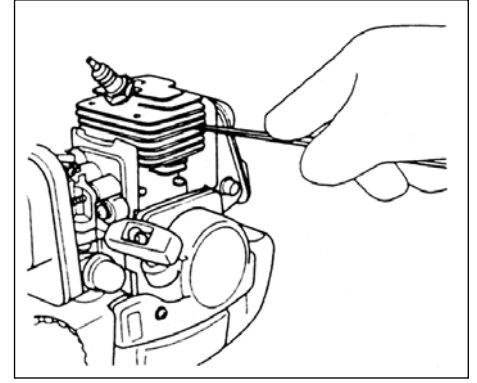


Fig.3-4B

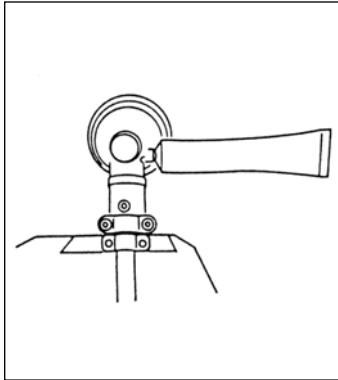


Fig. 3-5

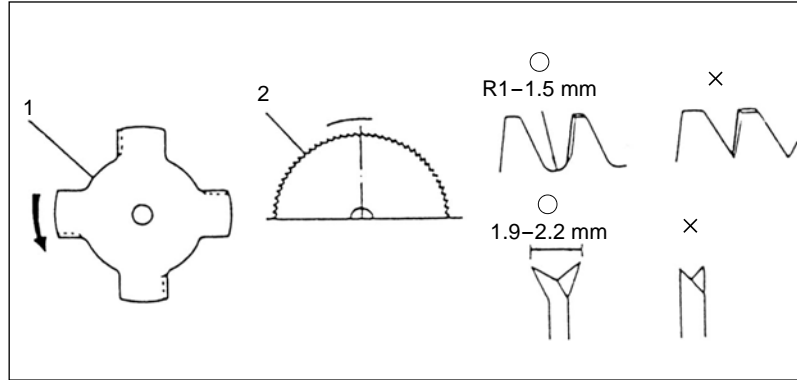


Fig. 3-6

Muffler (Fig. 3-4)

Remove the muffler and clean out any excess carbon from the exhaust port or muffler inlet every 100 hours of operation.

Cylinder (Engine cooling) (Fig. 3-4B)

The engine is air cooled, and air must circulate freely around engine and over cooling fins on cylinder head to prevent overheating.

Every 100 operating hours, or once a year (more often if conditions require), clean fins and external surfaces of engine of dust, dirt and oil deposits which can contribute to improper cooling.

NOTE!

Do not operate engine with engine shroud or muffler guard removed as this will cause overheating and engine damage.

Angle transmission (Fig.3-5)

Check angle transmission or angle gear for grease level about every 50 hours of operation by removing the grease filler plug on the side of angle transmission.

If no grease can be seen on the flanks of the gears, fill the transmission with quality lithium based multipurpose grease up to 3/4. Do not completely fill the transmission.

Blade (Fig. 3-6)

⚠ WARNING!

Wear protective gloves when handling or performing maintenance on the blade.

- Use a sharp blade. A dull blade is more likely to snag and thrust. Replace the fastening nut if it is damaged and hard to tighten.
- When replacing blade, purchase one recommended by HITACHI, with a 25.4mm (one inch) fitting hole.
- When installing saw blade (2), always face the stamped side up. In the case of a 4 tooth blade (1), it can be used on either side.
- Use correct blade for the type of work.
- When replacing blade, use appropriate tools.
- When cutting edges become dull, re-sharpen or file as shown in figure. Incorrect sharpening may cause excessive vibration.
- Discard blades that are bent, warped, cracked, broken or damaged in any way.

NOTE!

When sharpening blade it is important to maintain an original shape of radius at the base of the tooth to avoid cracking.

Maintenance schedule

Below you will find some general maintenance instructions. For further information please contact your service dealer.

Daily maintenance

- Clean the exterior of the unit.
- Check that the harness is undamaged.
- Check the blade guard for damage or cracks. Change the guard in case of impacts or cracks.
- Check that the cutting attachment is properly centred, sharp, and without cracks. An off-centred cutting attachment induces heavy vibrations that may damage the unit.
- Check that the cutting attachment nut is sufficiently tightened.
- Make sure that the blade transport guard is undamaged and that it can be securely fitted.
- Check that nuts and screws are sufficiently tightened.

Weekly maintenance

- Check the starter, especially cord and return spring.
- Clean the exterior of the spark plug.
- Remove it and check the electrode gap. Adjust it to 0.6 mm, or change the spark plug.
- Clean the cooling fins on the cylinder and check that the air intake at the starter is not clogged.
- Check that the angle gear is filled with grease up to 3/4.
- Clean the air filter.

Monthly maintenance

- Rinse the fuel tank with gasoline.
- Clean the exterior of the carburetor and the space around it.
- Clean the fan and the space around it.

6. Specifications



**MODEL CG25EJ (L)/CG25EJ (SL)
CG25EJ /CG25EJ (S)
CG25EJ (SLD)**

**CG28EJ (L)/CG28EJ (SL)
CG28EJ**

Engine Size (ml) 24 (1.46 cu. in.)

28 (1.71 cu. in.)



Spark Plug CHAMPION CJ8 or
NGK BMR6A
or equivalent

CHAMPION CJ6Y or
RCJ6Y
or equivalent



Fuel Tank Capacity (l)..... 0.50 (16.9 fl. oz)

0.70 (23.6 fl. oz)



Dry Weight (kg) **CG25EJ (L)**.....4.4 (9.7 lbs)
CG25EJ (SL)..... 4.56 (10.1 lbs)
CG25EJ.....4.6 (10.1 lbs)
CG25EJ (S)..... 4.76 (10.5 lbs)
CG25EJ (SLD).....5.6 (12.3 lbs)

CG28EJ (L).....5.4 (11.9 lbs)
CG28EJ (SL).....5.56 (12.3 lbs)
CG28EJ.....5.6 (12.3 lbs)



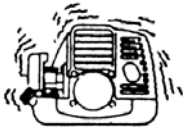
Sound pressure level (dB(A)) LpA
(EN27917) **CG25EJ (L)/CG25EJ (SL)**..... 96.8
CG25EJ /CG25EJ (S)..... 100.6
CG25EJ (SLD)..... 96.8

CG28EJ (L)/CG28EJ (SL).....95.0
CG28EJ.....95.5



Sound power level (dB(A)) LwA
112

116







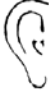

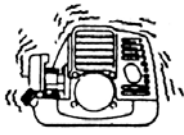
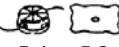

Vibration level (m/s²)(ISO 7916) **CG25EJ (SDL)**

Front handle.....	3.0	3.2	4.4
Rear handle.....	4.4	4.8	5.0
Left handle.....	3.3	3.6	
Right handle.....	2.7	3.7	

	2.6	4.1
	3.5	5.6
	2.4	2.5
	1.9	2.0

NOTE : Equivalent noise level/vibration level are calculated as the time-weighted energy total for noise/vibration levels under various working conditions with the following time distribution : 1/2 idle, 1/2 racing.

*All data subject to change without notice.

MODEL	CG33EJ (L) CG33EJ /CG33EJ (S)	CG27EJ (SL)/CG27EJ (S) CG27EJ (SLD)
		
Engine Size (ml)	33 (2.00 cu. in.)	27 (1.65 cu. in.)
		
Spark Plug	CHAMPION CJ6Y or RCJ6Y or equivalent	CHAMPION RCJ8Y or equivalent
		
Fuel Tank Capacity (l).....	0.70 (23.6 fl. oz)	0.67 (22.8 fl. oz)
		
Dry Weight (kg).....	CG33EJ (L)5.5 (12.1 lbs) CG33EJ5.7 (12.5 lbs) CG33EJ (S)5.86 (12.9 lbs)	CG27EJ (SL)5.5 (12.12 lbs) CG27EJ (S)6.0 (13.22 lbs) CG27EJ (SLD)5.7 (12.56 lbs)
		
Sound pressure level (dB(A)) LpA (EN27917)	CG33EJ (L)94.5 CG33EJ /CG33EJ (S)94.5	CG27EJ (SL)97.5 CG27EJ (S)98.3 CG27EJ (SLD)97.5
		
Sound power level (dB(A)) LwA	116	116
		
Vibration level (m/s ²)(ISO 7916)		CG27EJ (SLD) 
Front handle.....	5.4 5.2	5.8 2.1 5.7
Rear handle.....	3.7 7.1	3.2 4.5 3.1
Left handle.....	1.8 2.1	4.6 2.3
Right handle.....	2.5 2.9	3.4 2.0

NOTE : Equivalent noise level/vibration level are calculated as the time-weighted energy total for noise/vibration levels under various working conditions with the following time distribution : 1/2 idle, 1/2 racing.

*All data subject to change without notice.

HITACHI

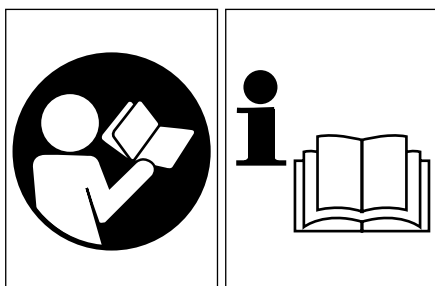
CG25EJ/CG25EJ (L)/CG25EJ (SL)

CG25EJ (S)/CG25EJ (SDL)

CG27EJ (S)/CG27EJ (SL)/CG27EJ (SLD)

CG28EJ/CG28EJ (L)/CG28EJ (SL)

CG33EJ/CG33EJ (L)/CG33EJ (S)



Läs noga igenom bruksanvisningen
innan maskinen tas i bruk.

Ägarhandbok

Betydelser av Symboler eller etiketter (OBSERVERA! Somliga apparater har inga sådana.)

 **VARNING!**

Motoravgasen från denna produkt innehåller vissa kemikalier som staten Kalifornien klassificerat som cancerframkallande, fosterskadande eller nydaningsstörande ämnen.



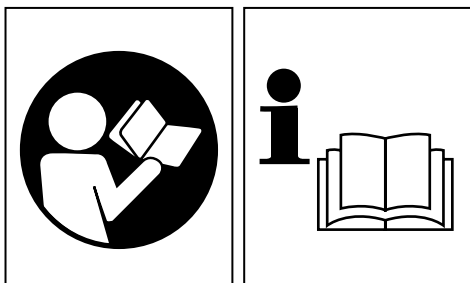
Bär alltid ögon-, huvud- och hörselskydd vid användning av maskinen.



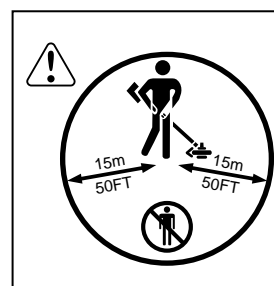
Läs, förstå och följ alla varningar och instruktioner i denna bruksanvisning och på maskinen.



Styva metallklingor skall inte användas när detta tecken visas på apparaten.



Det är viktigt att du noggrant läser i bruksanvisningen för att fullt förstå och följa försiktighetsmåten för säkerhet och varningarna. Om apparaten används slarvigt eller på något olämpligt sätt kan det medföra en allvarlig skada.



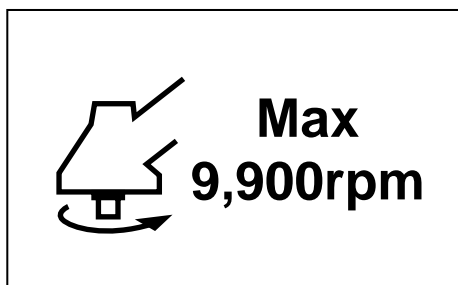
Låt barn, åskådare eller hjälparbetare inte komma närmare än 15m till apparaten. Stäng genast av motorn och stanna skärtillsatsen, om någon kommer närmare.



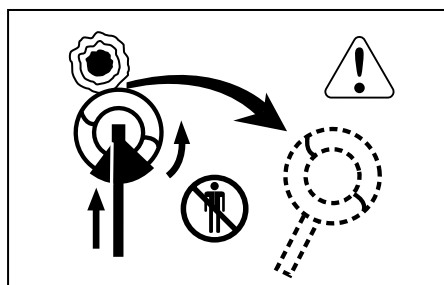
Akta dig för föremål som kastas ut från verktyget.



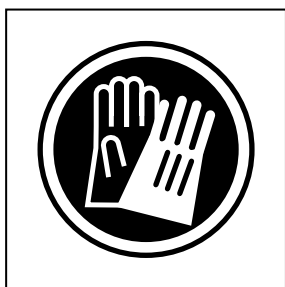
Använd halkskyddade och stadiga skodon.



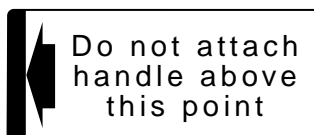
Den maximala axelhastigheten visas. Använd ingen skärtillsats vars max. rpm (rotationer per minut) är under axelns rpm.



Klingan trycks tillbaka när den stöter mot ett hårt föremål under rotation. Detta förorsakar ett kraftigt och farligt mottryck på både redskapet och själva användaren. Detta reaktion kallas BLADE THRUST (stöt från klingan). Användaren kan i så fall förlora kontrollen över redskapet, vilket i sin tur kan resultera i en mycket allvarlig skada. Detta fenomen händer oftast när användaren har svårt att se de föremål som skall klippas.



Handskar måste bäras när så krävs, exempelvis vid montering av skärutrustning.



Markera handtagets placering. Sätt inte fast handtaget ovanför denna punkt.

Innan maskinen tas i bruk

- Läs noggrant igenom denna bruksanvisning.
- Kontrollera skärutrustningens montering och justering.
- Starta maskinen och kontrollera förgasarinställningen. Se "Underhåll".

Ilmoitus lainmukaisuudesta

vi, Nikko Tanaka Engineering Co., Ltd., 3-4-29 Tsudanuma, Narashino,
Chiba, Japan

Förklarar under eget ansvar, att produkten röjningsaggregat modell

CG25EJ/CG25EJ (L)/CG25EJ (SL)
CG25EJ (S)/CG25EJ (SDL)
CG27EJ (S)/CG27EJ (SL)/CG27EJ (SLD)
CG28EJ/CG28EJ (L)/CG28EJ (SL)
CG33EJ/CG33EJ (L)/CG33EJ (S)

till vilken denna deklaration tillhör, uppfyller samtliga väsentliga säkerhetskrav
föreskrivna. i berörda direktiv.

98/37/EC, 89/336/EEC, 2000/14/EC

Vi har tagit hänsyn till följande standards.
ISO 7112/7113/7916/7917/7918/8380/11682
(EN ISO 12100-1/2, EN ISO 11806)

Tillverkad av : Chiba, Japan

Signatur :



Serienr fr.o.m.

E570001

Yoshio Osada

Befattning :

Direktör

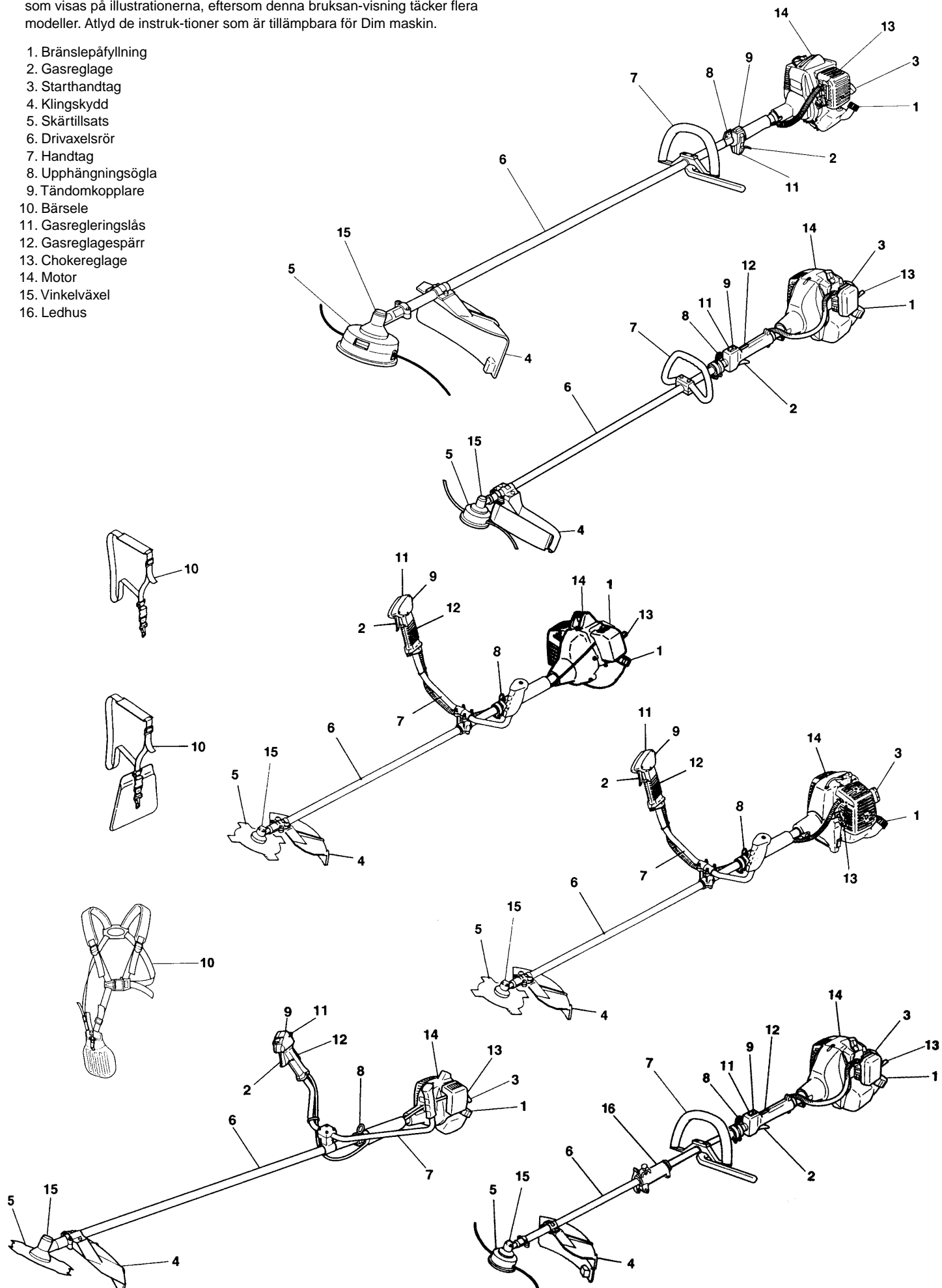
Innehåll

Vad är vad? _____	5
Varningar och säkerhetsanvisningar _____	6
Montering _____	7
Användning _____	10
Underhåll _____	13
Tekniska data _____	15

1. Vad är vad?

Det kan hända att det finns skillnader mellan den modell du har och den modell som visas på illustrationerna, eftersom denna bruksan-visning täcker flera modeller. Atlyd de instruk-tioner som är tillämpbara för Din maskin.

- 1. Bränslepåfyllning
- 2. Gasreglage
- 3. Starthandtag
- 4. Klingskydd
- 5. Skärtillsats
- 6. Drivaxelsrör
- 7. Handtag
- 8. Upphångningsögla
- 9. Tändomkopplare
- 10. Bärsele
- 11. Gasregleringsläs
- 12. Gasreglagespärr
- 13. Chokereglage
- 14. Motor
- 15. Vinkelväxel
- 16. Ledhus



2. Varning och säkerhets-anvisningar

Användarens säkerhet

- Använd alltid ansiktsskydd eller skyddsglasögon.
- Använd alltid kraftiga, långa byxor, stadiga skor och handskar. Bär aldrig löst sittande kläder, smycken, kortbyxor eller sandaler och gå aldrig barfota. Bind upp håret så att det inte räcker nedanför axelhöjd.
- Använd inte redskapet medan du är trött, sjuk eller påverkad av alkohol, droger eller mediciner.
- Låt aldrig ett barn eller en person, som inte känner till maskinen, köra maskinen.
- Använd alltid hörselskydd.
- Starta eller kör aldrig motorn inne i ett stängt utrymme. Avgaserna kan vara livsfarliga att inandas.
- Håll handtagen fria från olja och bensin.
- Håll händerna borta från skärutrustningen.
- Håll inte sägen i skärutrustningen.
- Stanna alltid kedjan helt innan du lägger ned redskapet, när detta frånslagits.
- Försök inte att arbeta i flera timmar i ett sträck, utan ta paus då och då. Du kan på så sätt undvika de s.k. vita fingrarna som orsakas av vibrationer.

Redskapets säkerhet

- Kontrollera hela redskapet före varje användning. Byt ut skadade delar. Se efter så det inte förekommer något bränsleläckage och kontrollera att alla fäst detaljer finns på sina platser och är ordentligt fastsatta.
- Byt ut delar som är spräckta, ytskadade eller skadade på annat sätt innan du använder redskapet.
- Se till att kedjebromsen/Kastskyddet är rätt monterat.
- Låt inte någon stå i närheten vid förgasarjusteringar.
- Använd endast tillbehör av de typer som tillverkaren rekommenderar till detta redskap.

WARNING!

Ändra aldrig verktygets konstruktion på något sätt.

Använd inte denna motorsåg för annat ändamål än det är avsett för.

Bränslesäkerhet

- Blanda och hantera bränslet utomhus och på en plats där det inte finns någon risk för gnistor eller öppen eld.
- Använd kärl. Som är godkända för bränslehantering.
- Rök inte själv och tillåt inte någon annan att röka nära bränslet eller redskapet eller vid användning av redskapet.
- Torka upp utspillt bränsle före start av motorn.
- Flytta redskapet minst 3 m från tankningsplatsen före start av motorn.
- Stanna motorn innan du tar av bränslepåfyllningslocket.
- Töm bränsletanken innan du ställer undan redskapet för förvaring. Vi rekommenderar att bränslet töms efter varje användning. Om det finns bränsle kvar i tanken måste redskapet förvaras så att inte något bränsle kan rinna ut.
- Förvara redskapet och bränslet på ett ställe där bränsleångorna inte kan nå gnistor eller öppen eld från varmvattenberedare, elektriska motorer, strömställare, värmepannor etc.

WARNING!

Antivibrationssystemet garanterar inte att du inte utsätts för de s.k. vita fingrarna eller carpal tunnel syndrom. Den som kontinuerligt eller regelbundet använder denna maskin måste således kontrollera tillståndet av händerna och fingrarna noggrant. Vänd dig genast till en läkare för närmare undersökning, om något ovanligt märks i dina händer eller fingrar.

Arbets-säkerhet

- Försök inte att klippa annat material än gräs och borstar.
- Granska arbetsytan före varje arbetsinsats. Avlägsna alla föremål som kan kastas iväg eller trassla in sig.
- Tag på dig en mask för andningsskydd vid klippning av växter besprutade med insektsmedel.
- Håll alla barn, djur och åskådare på minst 15 meters avstånd från redskapet vid arbete. Stanna omedelbart motorn, om någon kommer i närheten.
- Håll alltid redskapet på högra sidan av kroppen.
- Håll redskapet stadigt med båda händerna.
- Se till att du står stadigt och med god balans. Sträck dig aldrig för att öka räckvidden.
- Håll alla kroppsdelar borta från ljuddämpare och skärutrustning så länge motorn går.
- Håll klippaggregatet under midjehöjd.

Skötselsäkerhet

- Sköt om redskapet enligt anvisningarna.
- Tag bort tändkabeln från tändstiftet innan du utför några underhållsarbeten med undan-tag för förgasarinställningar.
- Låt inte någon stå i närheten vid förgasarjusteringar.
- Använd endast tillbehör från HITACHI av de typer som tillverkaren rekommenderar till detta redskap.

Transport och förvaring

- Bär alltid redskapet med motorn avstängd och ljuddämparen vänd bort från kroppen.
- Låt motorn svalna, töm bränsletanken och spänn fast redskapet för förvaring eller transport i ett fordon.
- Töm bränsletanken innan du ställer undan redskapet för förvaring. Vi rekommenderar att bränslet töms efter varje användning. Om det finns bränsle kvar i tanken måste redskapet förvaras så att något bränsle inte kan rinna ut.
- Förvara redskapet oåtkomligt för barn.
- Rengör motorsågen noga och förvara den i ett torrt utrymme.
- Rengör och underhåll maskinen noggrant och förvara den på en torr plats.
- Före transport och förvaring: Kontrollera att stoppknappen står i frånslaget läge.
- Vid gräsrojarrens transport i en bil : Täck klingan med klingskyddet.

Om en situation som inte behandlas i denna bruksanvisning uppstår, så var försiktig och använd sunt förnuft. Kontakta HITACHI-återförsäljaren, om du behöver hjälp. Särskilt viktiga avsnitt har i det följande markerats på tre olika sätt beroende på graden av betydelse:

WARNING!

Information som är av största betydelse för att undvika allvarlig personskada eller dödsfall.

VIKTIGT!

Information av stor betydelse för att undvika personskada eller skada på maskin och utrustning.

OBSERVERA!

Information som är viktig för att klargöra en åtgärd och därmed undvika misstag.

VIKTIGT!

Ta inte isär rekylstartaren, eftersom det är lätt att skada sig på rekylfjädern.

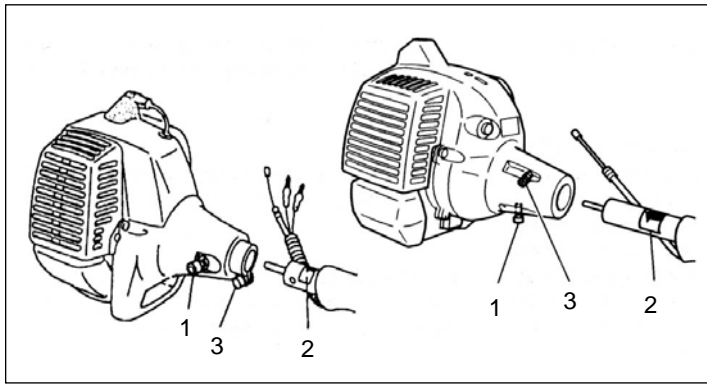


Fig.1-1

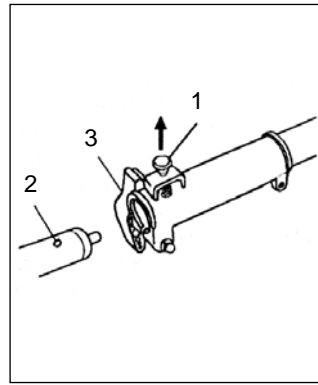


Fig.1-1B

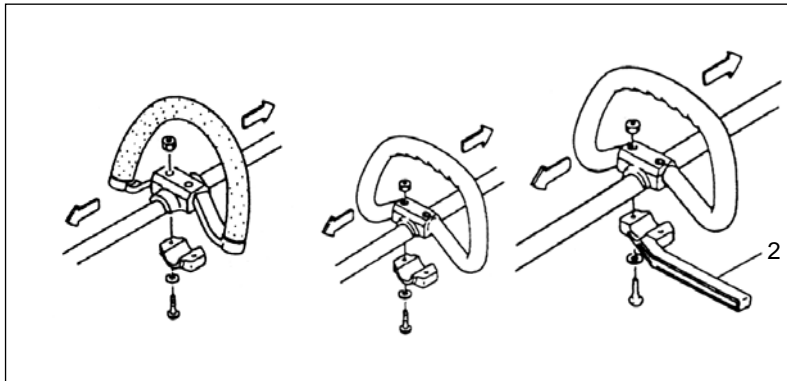


Fig.1-2

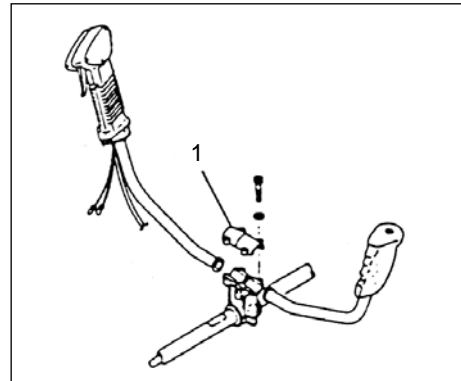


Fig.1-3

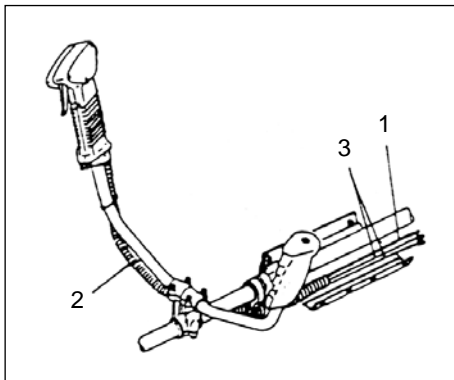


Fig.1-3B

3. Montering

Drivaxel till motor (Fig. 1-1)

Skruva ut rörets låsbult (1) cirka tio varv så att bultens spets inte är till hinder när drivaxelröret sätts i. När drivaxelröret sätts i, skall du rikta rörets låsbult utåt så att det inre beslaget inte utgör ett hinder.

Skjut in drivaxeln i kopplingshuset på motorn. Axeln skall skjutas in tills markeringen på drivaxelsröret (2) går emot kopplingshuset.

ANMÄRKNING!

Om det är svårt att föra in drivaxeln till markeringen på drivaxelsröret skall drivaxeln vridas med- eller moturs med hjälp av axel-spetsen där skäret monteras, så att axelns montering underlättas. Passa in hålet i drivaxelsröret mot låsskruven och drag åt denna skruv.

Drag sedan åt klammerskruven ordentligt (3).

Montering av skäranordningen

1. Sätt dit skäranordningen i stället.
2. Se till att låstappen (1) passar i inställningshålet (2) i röret och attröret inte ramlar av. (Fig. 1-1B)
3. Drag fast rattmuttern (3) ordentligt. (Fig. 1-1B)

Montering av handtag

⚠ VARNING!

Använd alltid spärrstäng (2) och säkerhetssele med remhandtag, när en styv stålklinga används på grässtrimmer eller buskklippare med en rak skaft. (Fig.1-2)

Montera handtaget på riggröret så att det lutar mot motorn.
Justera handtagets läge tills det sitter på bekvämt avstånd.

Tag loss överfallet (1). (Fig. 1-3)

Montera handtagsbågarna och dra åt de fyra skruvarna löst för att kunna justera styret till ett bekvämt arbetsläge. Drag till sist åt skruvarna.

För in kortslutningskablarna (3) och gasspjällets ledning (1) genom skyddsroret (2) och frigör därefter ändkudden. (Fig. 1-3B)

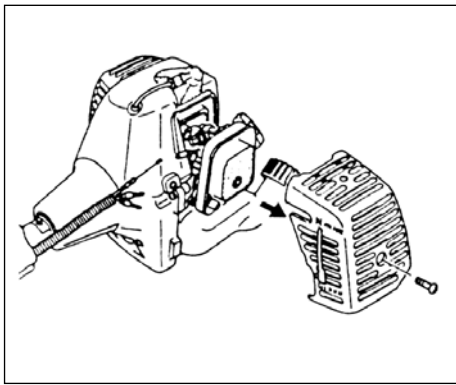


Fig. 1-4

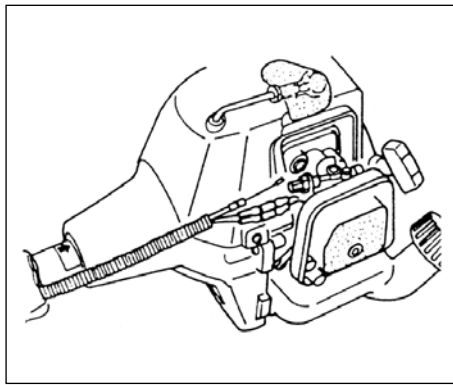


Fig. 1-5

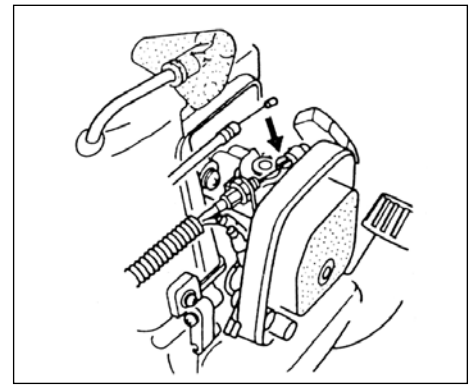


Fig. 1-6

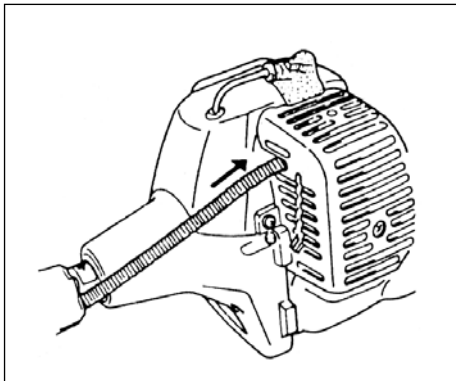


Fig. 1-7

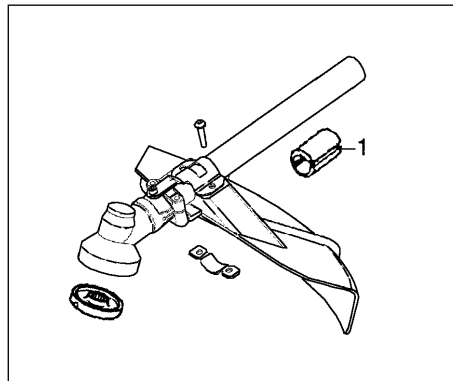


Fig. 1-8

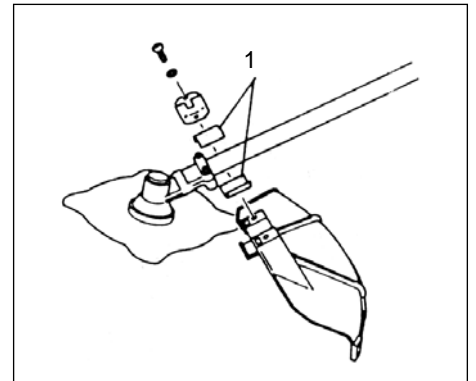


Fig. 1-8B

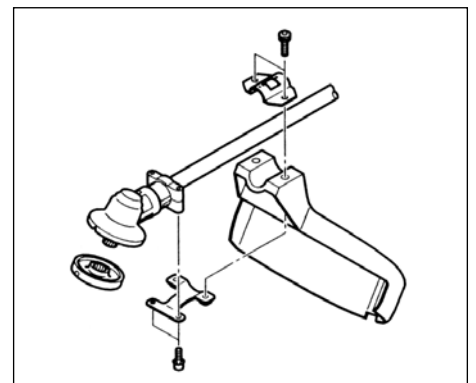


Fig. 1-8E

Gasspjallets lending / kortslutningskablar

Tag bort kåpan från luftrenaren. (Fig. 1-4)
 Anslut kortslutningskablar. (Fig. 1-5)
 Koppla gasregleringsledningen till förgasaren. (Fig. 1-6)
 Linda ihop gasregleringskabeln och kortslutningskablar tillsammans med det medleverade skyddsroret upp till luftrenarens hölje. (Fig. 1-7)

Montering av klingskydd

(Fig. 1-8, 8B)
 Montera klingskyddet och mellanlägg till fästet (1) (om sådana medföljer) på drivaxelsroret mitt emot vinkeltransmissionen. Skruva fast klingskyddet så att detta varken svänger eller rör på sig under användning.

Sätt fast klingskyddet med hjälp av fästskruvarna på hållaren, som också låser skyddet på växellådan.

OBSERVERA!

Somliga klingskydd är försedda med en skarp linjebegränsare. Var således mycket varsam vid hantering av dem.

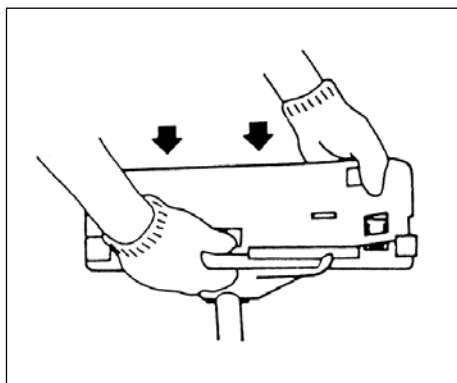


Fig. 1-9

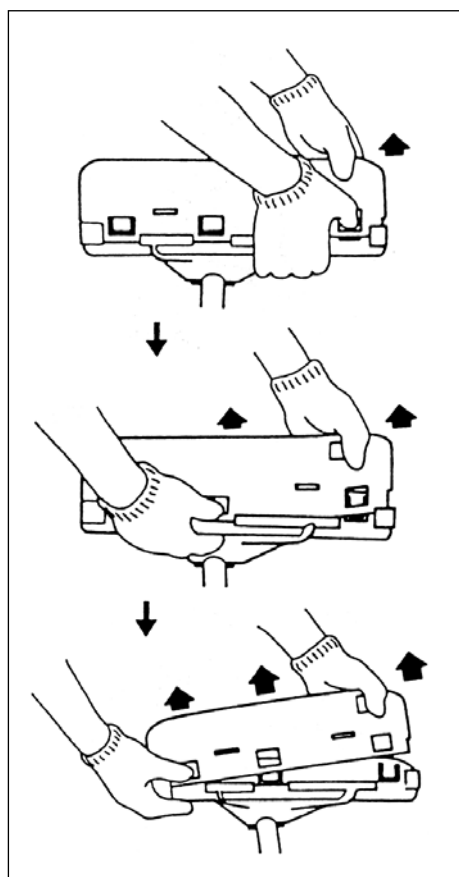


Fig. 1-9C

Vid användning av trimmerhuvudet (2) försett med tvådelat klingskydd skall skyddsförlängningen fästas vid klingskyddet. (Fig. 1-9)

OBSERVERA!

Placera skyddet enligt indikeringen på etiketten, när en etikett för skyddets placering finns på kanttrimmarens drivaxelrör.

OBSERVERA!

Se ritningarna vid borttagning av skyddsförlängningen. Tag då på skyddshandskarna, eftersom skyddsförlängningen har en skarp linjebegränsare. Tryck de fyra fyrkantiga flikarna på skyddet en efter en i följd. (Fig. 1-9C)

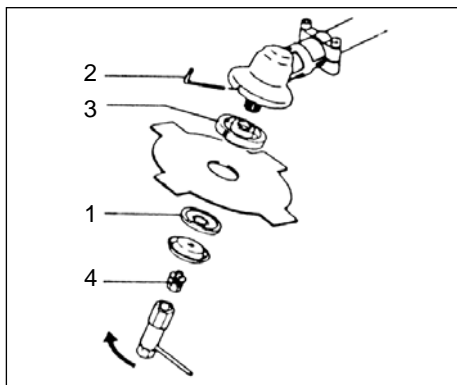


Fig. 1-10

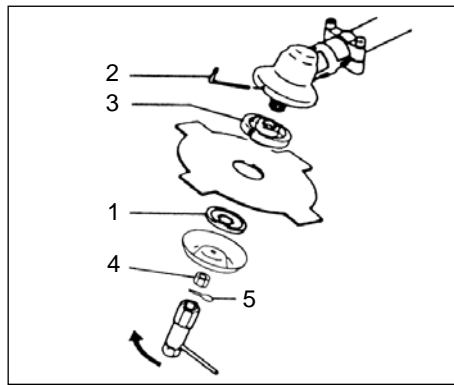


Fig. 1-10B

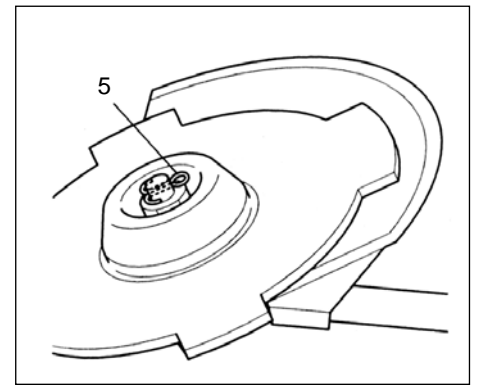


Fig. 1-10C

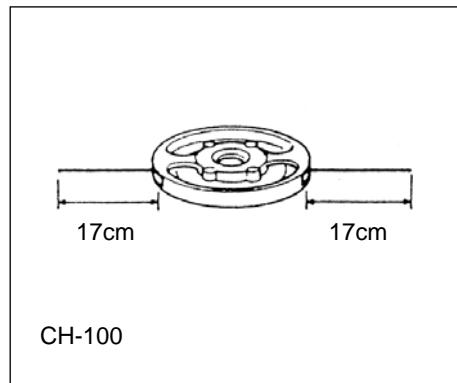


Fig. 1-11

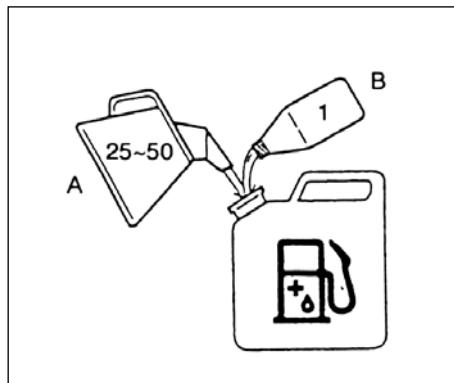


Fig. 2-1

Montering av röjsågsklinga (Fig.1-10,10B)

(när sådan finns)

Kontrollera vid montering av en röjsågsklinga att den inte har några sprickor eller skador och att den vänds åt rätt håll.

OBSERVERA!

Se till att stödbrickan (1) vänds med den konkava sidan mot klingan.

För in insexnyckeln (2) i hålet i vinkelväxeln för att låsa skärhållaren (3). Observera att skruven eller muttern (4) som fäster skäret är vänstergängad (lossas medurs, dras åt moturs). Drag fast skruven eller muttern med hjälp av en hylsnyckel.

OBSERVERAT

Om röjsågen är av den typ där en mutter och en saxsprint används till att fästa skäret måste klingan hållas på plats med hjälp av en ny saxsprint (5) varje gång den monteras. (Fig. 1-10C)

VIKTIGT!

Kontrollera före användning att klingan har monterats på rätt sätt.

VIKTIGT!

Om röjsågen har ett skyddslock under röjsågsklingan, så kontrollera före användning att detta lock är fritt från slitage och sprickor. Byt ut skyddslocket om det är skadat eller utslitet, eftersom det utgör en förbruksartikel.

Montering av BRAIN® grästrimmarhuvud

ANMÄRKNING!

Vid montering skall du läsa handboken för användare som modföljor BRAIN® grästrimmarhuvud.

⚠️ VARNING!

För HITACHI BRAIN huvudet HITACHI legegingshuvud skall du endast använda en icke-metallisk flexibel linje rekommenderad av tillverkaren. Använd aldrig en wire eller en lintråd. Under användning kan dessa alltså brytas sönder och dess delar slängs bort, vilket är mycket farligt.

ANMÄRKNING!

Vid användning av HITACHI legeringshuvud (CH-100) skall linjelängden för begynnelsekärning omkring 17cm för varje huvud. (Fig. 1-11)

4. Användning

Bränsle (Fig. 2-1)

⚠️ VARNING!

Trimmern är försedd med en tvåtaktsmotor och skall därför köras på oljeblandad bensin. Se till att ventilationen är tillfredsställande vid tankning eller hantering av bränslet.

Besin

- Använd alltid 89-oktanig blyfri bensin.
- Använd Tanakas tvåtaktsolja eller använd en blandning mellan 25 : 1 och 50 : 1, vänligen rådfråga oljeflaskan eller din Tanakahandlare för förhållandet.
- Förhållandet 50:1 gäller endast kalifornien i Förenta staterna.
- Om du inte kan få tag i olja från Tanaka, ska du använda en oljekvalitet med tillsats av oxidatonshämmare speciellt avsedd för luftkylda tvåtakts bensinmotorer (JASO FC GRADE OIL eller ISO EGC GRADE). Använd inte olja av typ B1A eller TCW (avsedd för vattenkylda tvåtaktsmotorer).

- Använd aldrig motorolja eller liknande.
- Blanda alltid bensin och olja i en separat och ren behållare.

Börja med att fylla i halva bensinmängden. Fyll därefter i hela mängden olja och blanda (skaka). Fyll sedan i den resterande bensinmängden och blanda (skaka) omsorgsfullt innan blandningen hälls i bränsletanken.

Bränslepåfyllning

⚠️ VARNING!

- Stanna alltid motorn vid bränslepåfyllning.
- Öppna bränsletankens lock långsamt vid påfyllning av bränsle, så att eventuellt övertryck försvinner.
- Drag åt tanklocket ordentligt efter tankning.
- Flytta alltid maskinen minst 3 m åt sidan innan motorn startas.

Rengör runt tanklocket innan bränsle fylls för att hindra smuts från att falla ner i tanken. Se till att bränslet är ordentligt blandat före tankning genom att skaka behållaren.

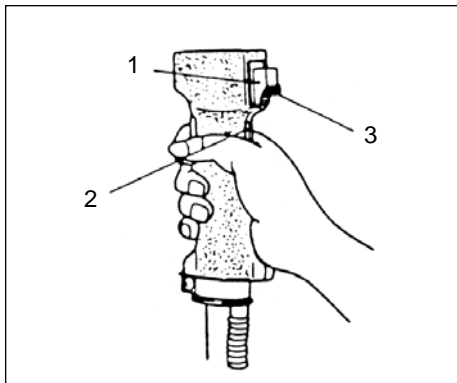


Fig.2-2

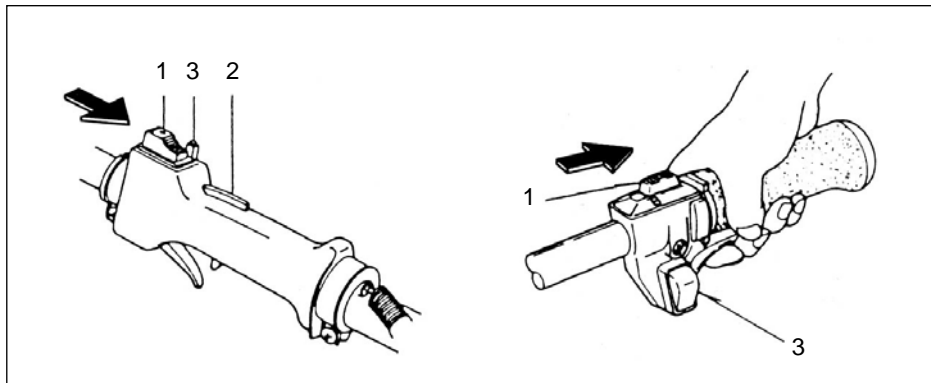


Fig.2-2B

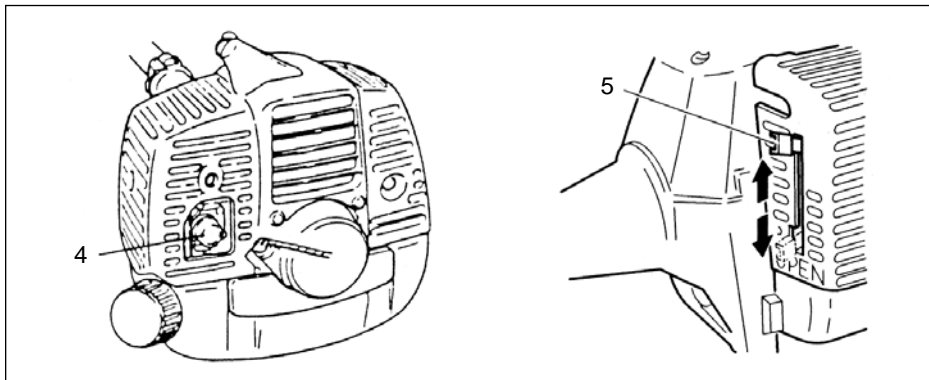


Fig.2-2C

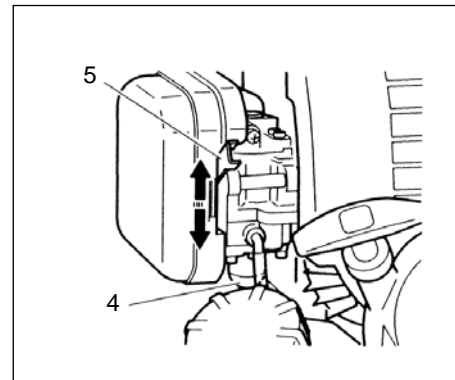


Fig.2-3

Start (Fig. 2-2, 2B)

VIKTIGT!

Kontrollera före start att skärtillsatsen inte kan hugga tag i något föremål.

1. Skjut tändkopplaren (1) i ON-läge.
(Fig. 2-2, 2B)

*Pumpa på handpumpens blåsa (4) tills bränslet strömmar in i blåsan eller returledningen (om sådana finns).
(Fig. 2-2C, 3)

2. Med avtryckaren (2) nedtryckt (om sådan finns) skall du dra gasreglaget och trycka på gasregeringslåset (1). Släpp därefter först gasreglaget sakta och sedan avtryckaren (2). Detta gör att gasreglaget blir låst i startläget.
3. Skjut chokereglaget till stängt läge (5).
(Fig. 2-2C, 3)
4. Drag kraftigt i starthandtaget. Håll stadigt i handtaget !
5. När motorn visar tecken till att starta, öppna chokereglaget och drag återigen kraftigt i starthandtaget.

OBSERVERA!

Upprepa momenten 2-5, om motorn inte startar.

6. När motorn startat skall du dra gasreglaget så att gasregeringslåset frigörs. Varmkör motorn sedan i 2-3 minuter innan den belastas.



Fig. 2-4

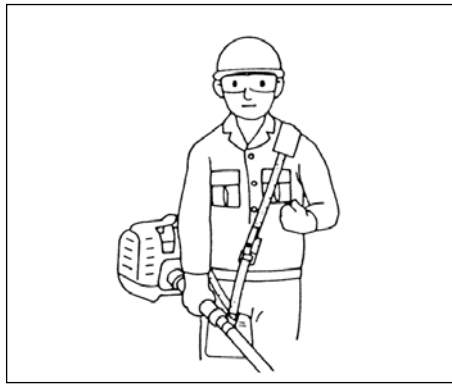


Fig. 2-4B

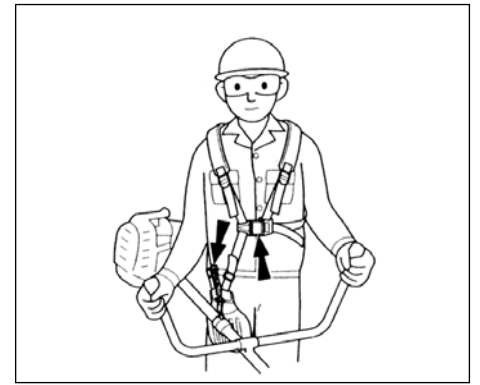


Fig. 2-4C

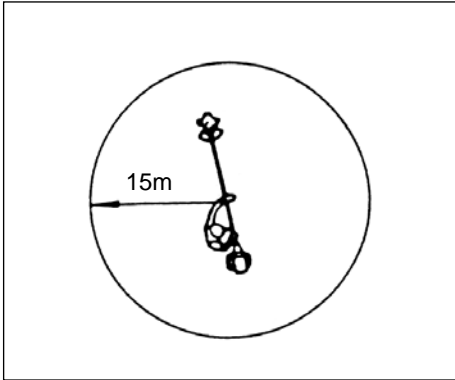


Fig. 2-4D

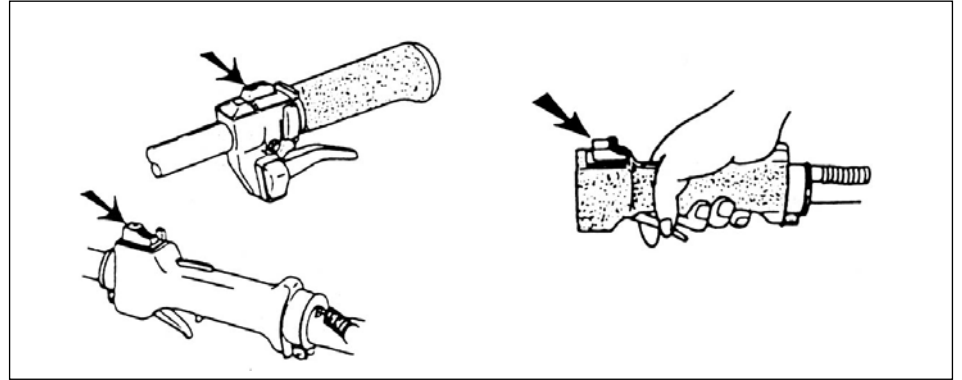


Fig. 2-5

Klippning (Fig. 2-4, 4B, 4C, 4D)

- Kör motorn på över 6.500 varv/min. vid klippning. Långvarig körning på lågt varvtal kan leda till att kopplingen slits ut i förtid.
- Klipp gräs från höger till vänster.
- Klingan trycks tillbaka när den stöter mot ett hårt föremål under rotation. Detta förorsakar ett kraftigt och farligt mottryck på både redskapet och själva användaren. Detta reaktion kallas BLADE THRUST (stöt från klingan). Användaren kan i så fall förlora kontrollen över redskapet, vilket i sin tur kan resultera i en mycket allvarlig skada. Detta fenomen händer oftast när användaren har svårt att se de föremål som skall klippas.
- Använd bärsela som figuren visar (om trimmern är utrustad med sådan). Klingan (trimmerhuvudet) roterar moturs och därför bör röjningsarbetet utföras från höger till vänster för att bli så effektivt som möjligt. Se till att inga åskådare finns närmare än 15 m från arbetsområdet.

OBSERVERA!

Tryck på snabbstopparen eller dra i nödstopparen (när sådan finns), om en nödsituation skulle uppstå. (Fig. 2-4C)

⚠ VARNING!

Om skärtillsatsen eller trimmerhuvudet stöter emot t.ex en sten så, stanna motorn och undersök om skador har uppstått på skärtillsatsen.

Om gräs eller grenar virats runt skärtillsatsen eller trimmerhuvudet får de avlägsnas endast när motorn och klingan stoppats helt.

Stopp av motorn (Fig. 2-5)

- Sänk först motorns varvtal och låt den gå på tomgång i några minuter. Slå därefter av motorn med strömbrytaren.

⚠ VARNING!

Skärtillsatsen kan ta skada om den fortsätter rotera när motorn frånkopplas eller effektregulatorn frigörs. När redskapet frånslagits skall du först kontrollera att skärtillsatsen stannat helt, innan redskapet skall läggas ned på marken.

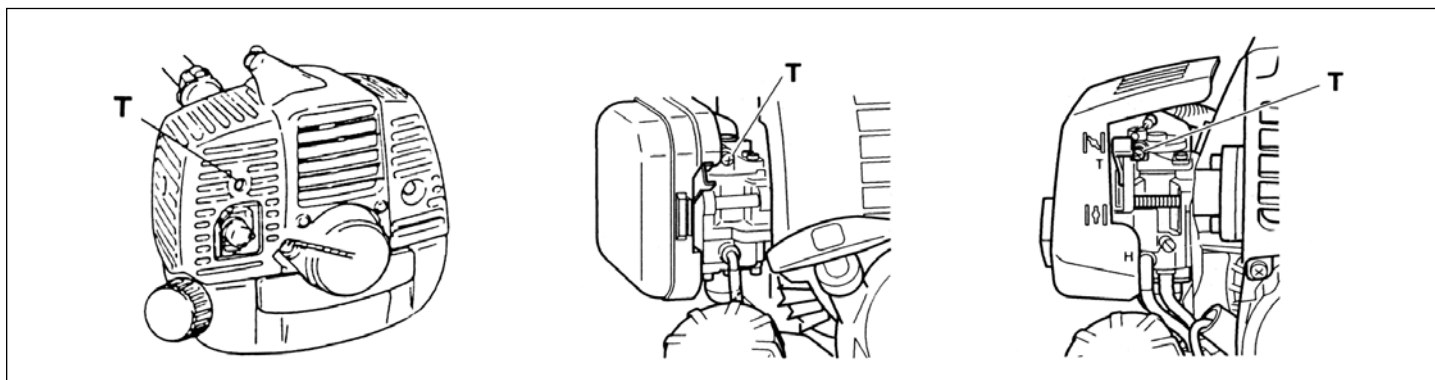


Fig.3-1

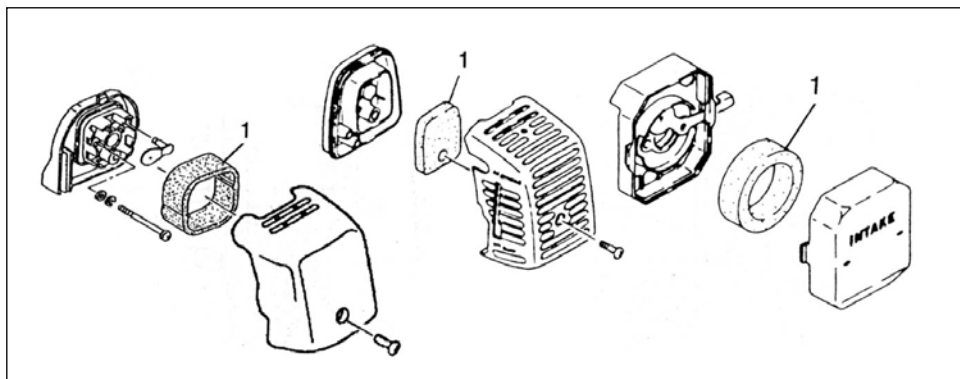


Fig.3-2

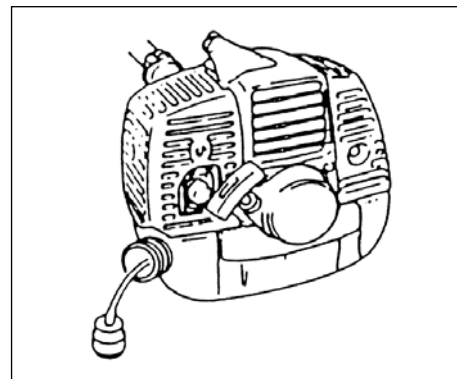


Fig. 3-2B

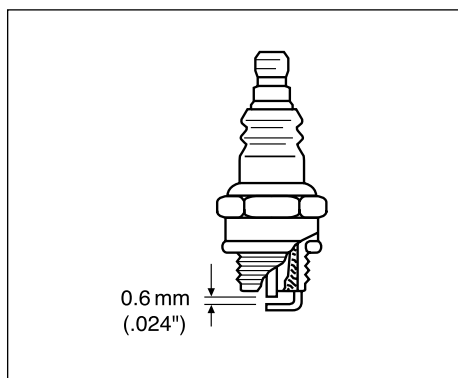


Fig. 3-3

5. Underhåll

ANORDNINGARNA OCH SYSTEMEN FÖR EMISSIONSKONTROLL FÅR UNDER-, HÅLLAS BYTAS ELLER REPARERAS AV EN VANLIG MASKINREPARATÖR ELLER VID EN VANLIG VERKSTAD FÖR MOTORREDSKAP.

Förgasarjustering (Fig. 3-1)

⚠ VARNING!

Skärbladen kan röra sig under inställning av förgasaren.

⚠ VARNING!

Starta aldrig motorn om inte kopplingskåpa och drivaxel är monterade. Centrifugalkopplingen kan lossna och orsaka personskador!

I förgasaren blandas bränsle och luft. När motorn provkörs vid fabriken justeras även förgasaren. Om ytterligare justering behövs, orsakat av klimat eller höjdläge, finns bara en justeringsmöjlighet:

T = Justerskruv för tomgångsvarvtal.

Tomgångsjustering (T)

Kontrollera att luftfiltret är rent. Vid korrekt inställt tomgångsvarvtal skall skärbladen stå stilla. Om justering krävs, vrid T-skraven medurs med motorn igång tills bladen börjar röra sig. Vrid därefter skruven moturs tills bladen stannar. Rätt tomgångsvarvtal har uppnåtts när motorn går jämnt i alla lägen på ett varvtal där bladen står stilla. Kontakta din serviceverkstad om bladen rör sig trots justering av tomgångsvarvtalet.

OBSERVERA!

Varvtalet vid standardtomgången är 2500–3000 varv per minut.

⚠ VARNING!

skärtillsaten får under inga omständigheter rotera när motorn går på tomgång.

OBSERVERA!

På en del modeller som säljs i områden med stränga regler för avgasutsläpp kan högt eller lågt varvtal på förgasaren inte ställas in. Sådan justering kan medföra att motorn öppnas utanför gränsen för tillåtna utsläpp. För dessa modeller är inställning av tomgångshastigheten den enda förgasarinställning som kan göras.

För modeller som medger inställning av lågt eller högt varvtal har förgasaren förinställts vid tillverkningen. Genom finjustering kan prestandan optimeras i förhållande till klimat, höjdnivå o.s.v. Vrid dock aldrig justeringskruvarna mer än 90 grader åt gången, eftersom felinställning kan resultera i motorskada. Rådgör med HITACHI återförsäljare, om du inte är bekant med denna typ av inställning.

Luftfilter (Fig. 3-2)

Luftfiltret måste vara rent för att undvika:

- Felaktig förgasarfunktion.
- Startsvårigheter.
- Effektsänkning.
- Onödigt slitage av motorn.
- Onormalt hög bränsleförbrukning.

Rengör filtret dagligen eller oftare om trimmern används på speciellt dammiga arbetsområden.

Rengöring av luftfilter

Tag bort luftfiltrets kåpa (2) och, luftfiltret (1). Tvätta filtret i varmt såpvatten. Kontrollera att filtret är torrt innan det monteras. Ett länge använt filter kan inte rengöras helt och hållet. Det bör därför bytas ut med jämna mellanrum. Ett skadat filter måste alltid bytas ut mot ett nytt.

Bränslefilter (Fig. 3-2B)

Tappa av bränslet helt ur bränsletanken och drag ut kabeln för bränslefiltret från tanken. Drag också ut filterelementet ur hållarenheten och skölj elementet i varmt vatten med tvättmedel i. Skölj elementet noggrant, så att inget spår av tvättmedlet finns kvar därpå. Kläm ur vatten, men vrid aldrig elementet. Torka sedan elementet i luften.

OBSERVERA!

Om filtret är hårt på grund av damm och smuts, skall det bytas ut.

Tändstift (Fig. 3-3)

Tändstiftet påverkas av:

- Felaktig förgasarjustering.
- Felaktig bränsleblandning (för mycket olja i bensinen).
- Smutsigt luftfilter.
- Svåra arbetsförhållanden (t.ex. kyla).

Dessa faktorer orsakar beläggning på tändstiftets elektrod och kan innebära motorstörningar och startproblem. Om motorn lämnar låg effekt, är svårstartad eller går ojämnt på tomgång så kontrollera tändstiftet först. Om tändstiftet är smutsigt, rengör och kontrollera elektrodavståndet. Justera om så behövs. Avståndet skall vara 0.6 mm. Tändstiftet skall bytas efter ca 100 timmars körning eller tidigare om elektroderna är kraftigt avbrända.

OBSERVERA!

I vissa länder kräver lagen användandet av avstörda tändstift för att undvika tändstörningar. I det fall att denna maskin levererats med avstört tändstift, skall samma typ av tändstift användas vid utbyte.

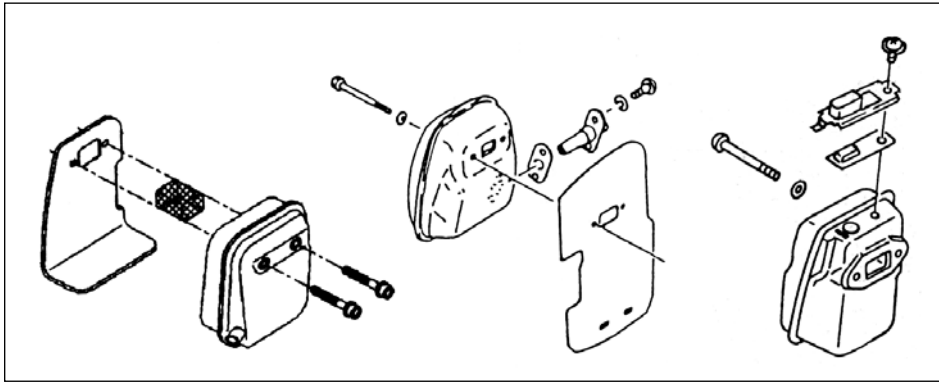


Fig.3-4

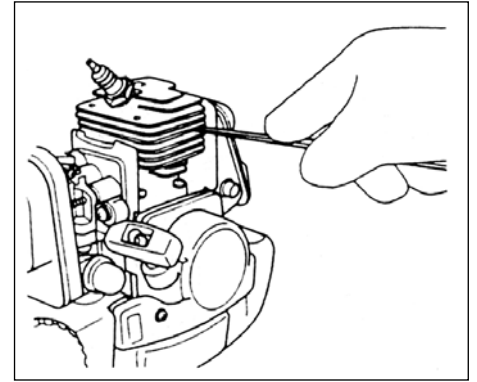


Fig.3-4B

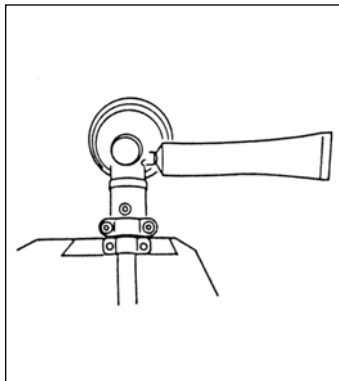


Fig. 3-5

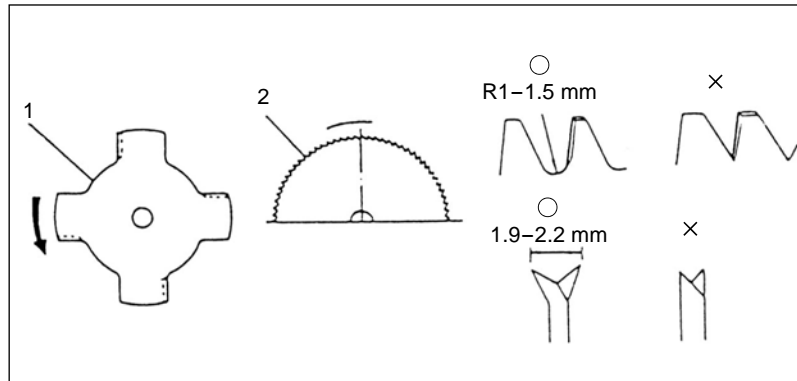


Fig. 3-6

Ljuddämpare (Fig. 3-4)

Tag bort ljuddämparen och rensa bort kol som sitter på dess ingång och avgaskanalen efter 100 timmars användning.

Cylinder (motorkylning) (Fig. 3-4B)

Motorn är luftkyld, så att luften skall cirkulera fritt runtom motorn och över kylflänsarna på cylinderhuvudet. I annat fall kan överhettning ske.

Rengör kylflänsarna och motorytorna var 100 de användningstimmar eller minst en gång om året (eller mer frekvent om så behövs), eftersom kyleffekten försämras genom anlagring av damm, smuts och oljespillage.

OBSERVERA!

Motorn får ej köras utom motorkåpan och ljuddämparskyddet. I annat fall kan överhettning eller motorskada kan förorsakas.

Vinkelväxel (Fig.3-5)

Kontrollera smörjfettets nivå i vinkelväxeln varje gång du använt apparaten i ca. 50 timmar. Tag då bort proppen till smörjfettsintaget som sitter på växellådan.

Om inget fett syns inne i växeln skall den påfyllas med ett litiumbaserat universalfett av hög kvalitet. Fyll dock inte till fullt, utan bara till en 3/4 delars nivå.

Klinga (Fig. 3-6)

⚠ WARNING! WARNING!

Bär alltid skyddshandskar när underhållsarbetet för klingan pågår.

- Använd en skarp klinga. I annat fall kan det ofta ge upphov till upphakning eller stöt. Byt också ut låsmuttern, om den är skadad eller har svårt för åtskrivning.
- Vid klingans byte: Klingan skall bytas ut mot en klinga, som rekommenderas av HITACHI, med ett 25,4 mm fästhål.
- Sågklingans (2) montering: Kontrollera alltid att den stämplade sidan vänds uppåt. Gäller fyre kuggars klinga (1): Valfri sida kan vändas uppåt.
- Använd korrekt klinga enligt den typ av arbete du skall utföra.
- Använd korrekt verktyg vid bytet.
- Slipa klingan, när kuggarna slits, eller fila kuggarna enligt illustrationen. Felaktig slipning kan resultera i kraftiga vibrationer.
- Gör dig av med skadade och bristfälliga klingor.

OBSERVERA!

Att observera vid slipning: Det är mycket viktigt att den ursprungliga formen vid kuggens nedre del bibehålls så att klingan inte spricker.

Underhållsschema

Nedan följer några allmänna underhållsrekommendationer. För ytterligare information, kontakta Din serviceverkstad.

Daglig tillsyn

- Rengör maskinen utvändigt.
- Kontrollera att bärselen är oskadad.
- Kontrollera svärd och blad avseende skador och sprickbildning. Byt ut skadade delar. Kontrollera att bladen är slipade och utan skador.
- Kontrollera att skärtillsatsen är centrerad, slipad och utan skador. En ocentrerad klinga orsakar kraftiga vibrationer som kan skada apparaten.
- Kontrollera att skärtillsatsen är ordentligt åtdragen.
- Se till att svärdets transportskydd är oskadat och kan monteras på ett tillfredsställande sätt.
- Kontrollera att samtliga skruvar och muttrar är åtdragna.





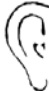

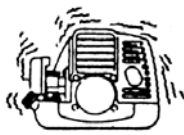

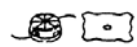
Veckotillsyn

- Kontrollera startapparaten, speciellt lina och retur fjäder.
- Rengör tändstiftet utvändigt.
- Demontera tändstiftet och kontrollera elektrodavståndet. Justera till 0,6 mm byt stift om elektroderna är slitna.
- Rengör kylflänsarna på cylindern och kontrollera att luftintagen vid startapparaten inte är igensatta.
- Kontrollera att vinkelväxeln är fylld till 3/4 med fett.
- Rengör luftfiltret.

Månadstillsyn





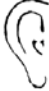

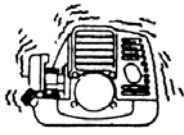


- Rengör bränsletanken med bensin.
- Rengör förgasaren utvändigt liksom utrymmet runt omkring.
- Rengör fläkten och utrymmet runt omkring.

6. Tekniska data

	MODELL CG25EJ (L)/CG25EJ (SL) CG25EJ /CG25EJ (S) CG25EJ (SLD)	CG28EJ (L)/CG28EJ (SL) CG28EJ
		
Motorstorlek (ml)	24 (1.46 cu. in.)	28 (1.71 cu. in.)
		
Tändstift	CHAMPION CJ8 eller NGK BMR6A eller likvärdigt	CHAMPION CJ6Y eller RCJ6Y eller likvärdigt
		
Bränsletankens rymd (l)	0.50 (16.9 fl. oz)	0.70 (23.6 fl. oz)
		
Torrsvikt (kg)	CG25EJ (L) 4.4 (9.7 lbs) CG25EJ (SL) 4.56 (10.1 lbs) CG25EJ 4.6 (10.1 lbs) CG25EJ (S) 4.76 (10.5 lbs) CG25EJ (SLD) 5.6 (12.3 lbs)	CG28EJ (L)5.4 (11.9 lbs) CG28EJ (SL)5.56 (12.3 lbs) CG28EJ5.6 (12.3 lbs)
		
Ljudtrycksnivå (dB(A)) LpA (EN 27917)	CG25EJ (L)/CG25EJ (SL)96.8 CG25EJ /CG25EJ (S)100.6 CG25EJ (SLD)96.8	CG28EJ (L)/CG28EJ (SL)95.0 CG28EJ95.5
		
Ljudeffektnivå (db(A)) LwA	112	116
		
Vibrationsnivå (m/s ²)(ISO 7916)	CG25EJ (SDL)	
		
Främre handtag	3.0 3.2 4.4	2.6 4.1
Bakre handtag	4.4 4.8 5.0	3.5 5.6
Vänster handtag.....	3.3 3.6	2.4 2.5
Höger handtag.....	2.7 3.7	1.9 2.0

OBSERVERA: Överensstämmande buller- och vibrationsnivåer har beräknats som den tidsvägda totalenergin för buller- och vibrationsnivåer under olika arbetsförhållanden med följande tidsfördelning: 1/2 tomgångsvarvtal, 1/2 rusningsvarvtal.

*Rätt till ändringar förbehålls.

	MODELL	CG33EJ (L) CG33EJ /CG33EJ (S)	CG27EJ (SL)/CG27EJ (S) CG27EJ (SLD)
			
Motorstorlek (ml)		33 (2.00 cu. in.)	27 (1.65 cu. in.)
			
Tändstift	CHAMPION CJ6Y eller RCJ6Y eller likvärdigt		CHAMPION RCJ8Y eller likvärdigt
			
Bränsletankens rymd (l).....		0.70 (23.6 fl. oz)	0.67 (22.8 fl. oz)
			
Torrsvikt (kg).....	CG33EJ (L)5.5 (12.1 lbs) CG33EJ5.7 (12.5 lbs) CG33EJ (S)5.86 (12.9 lbs)		CG27EJ (SL)5.5 (12.12 lbs) CG27EJ (S)6.0 (13.22 lbs) CG27EJ (SLD)5.7 (12.56 lbs)
			
Ljudtrycksnivå (dB(A)) (EN 27917)	LpA CG33EJ (L)94.5 CG33EJ /CG33EJ (S)94.5		CG27EJ (SL)97.5 CG27EJ (S)98.3 CG27EJ (SLD)97.5
			
Ljudeffektnivå (db(A)) LwA 116			116
			
Vibrationsnivå (m/s ²)(ISO 7916)			CG27EJ (SLD) 
Främre handtag	5.4 5.2		5.8 2.1 5.7
Bakre handtag	3.7 7.1		3.2 4.5 3.1
Vänster handtag.....	1.8 2.1		4.6 2.3
Höger handtag.....	2.5 2.9		3.4 2.0

OBSERVERA: Överensstämmande buller- och vibrationsnivåer har beräknats som den tidsvägda totalenergin för buller- och vibrationsnivåer under olika arbetsförhållanden med följande tidsfördelning: 1/2 tomgångsvarvtal, 1/2 rusningsvarvtal.

*Rätt till ändringar förbehålls.

HITACHI

CG25EJ/CG25EJ (L)/CG25EJ (SL)

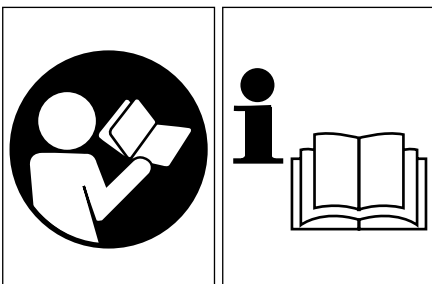
CG25EJ (S)/CG25EJ (SDL)

CG27EJ (S)/CG27EJ (SL)/CG27EJ (SLD)

CG28EJ/CG28EJ (L)/CG28EJ (SL)

CG33EJ/CG33EJ (L)/CG33EJ (S)

DK



Læs denne brugsvejledning omhyggeligt, inden maskinen tages i brug.

Betjeningsvejledning

Betydning af symboler og mærker. (BEMÆRK! Nogle enheder er ikke forsynet med disse)

 **ADVARSEL**

Motorudstødningen fra dette produkt indeholder kemikalier, som i staten Californien anses for at fremkalde kræft, fødselsskader og andre reproduktive skader.



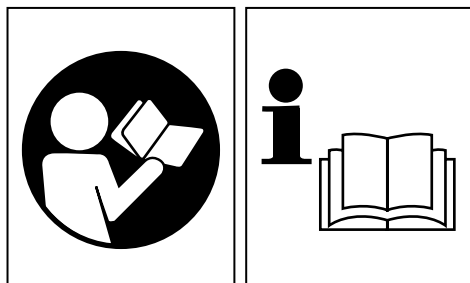
Brug altid beskyttelsesudstyr for øjne, hovedet og ører under brugen af denne enhed.



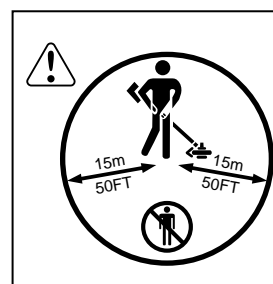
Læs, forstå og følg alle advarsler og instruktioner i denne manual og på enheden.



Brug ikke metalklinger/stive klinger, når dette tegn er vist på enheden.



Det er vigtigt, at du læser, fuldt ud forstår og overholder de følgende sikkerhedsforanstaltninger og advarsler. Skødesløs eller forkert brug af denne enhed kan forårsage alvorlige eller dødelige kvæstelser.



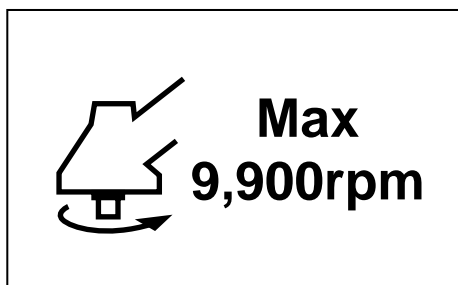
Hold alle børn, tilskuere og hjælpere 15 m væk fra enheden. Hvis nogen nærmer sig, skal du straks stoppe motoren og knivsystemet.



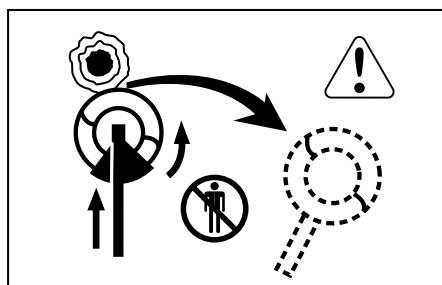
Pas på udslynget



Brug skridsikkert og stabilt



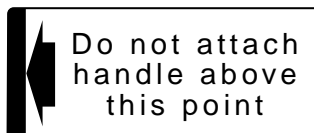
Viser det maksimale omdrejningstal. Brug ikke knivsystemer, hvis maksimale omdrejningstal er lavere end akslens omdrejningstal.



Der kan forekomme tryk mod klingen, hvis den roterende klinge kommer i kontakt med en fast genstand i det område, der skal klippes. Der kan opstå en farlig situation, hvor enheden ryster så meget, at brugeren mister kontrollen over den. Denne reaktion kaldes **KLINGETRYK**. Som følge heraf kan brugeren miste kontrollen over enheden, hvilket kan medføre alvorlig personskade. Klingetryk forekommer især i områder, hvor det er vanskeligt at se det materiale, der skal klippes.



Brug handsker, når det er nødvendigt, f.eks. når du samler skæreudstyr.



Angiv håndtagets placering. Fastgør ikke håndtaget over dette punkt.

Inden du bruger maskinen

- Læs manualen omhyggeligt.
- Kontroller, at udstyret er samlet korrekt og indstillet.
- Start enheden og kontroller karburatorindstillingen. Se "Vedligeholdelse".

Overensstemmelseserklæring

Vi, Nikko Tanaka Engineering Co., Ltd., 3-4-29 Tsudanuma, Narashino,
Chiba, Japan

Erklærer som eneansvarlig, at produktet buskrydder model

CG25EJ/CG25EJ (L)/CG25EJ (SL)
CG25EJ (S)/CG25EJ (SDL)
CG27EJ (S)/CG27EJ (SL)/CG27EJ (SLD)
CG28EJ/CG28EJ (L)/CG28EJ (SL)
CG33EJ/CG33EJ (L)/CG33EJ (S)

som denne erklæring vedrører, er i overensstemmelse med de væsentlige sikkerhedskrav,
som er specificeret i direktiverne

98/37/EC, 89/336/EEC, 2000/14/EC

De følgende standarder har været iagttaget.
ISO 7112/7113/7916/7917/7918/8380/11682
(EN ISO 12100-1/2, EN ISO 11806)

Produceret ved : Chiba, Japan

Underskrift:



Serienr. op fra

E570001

Yoshio Osada

Position:

Direktør

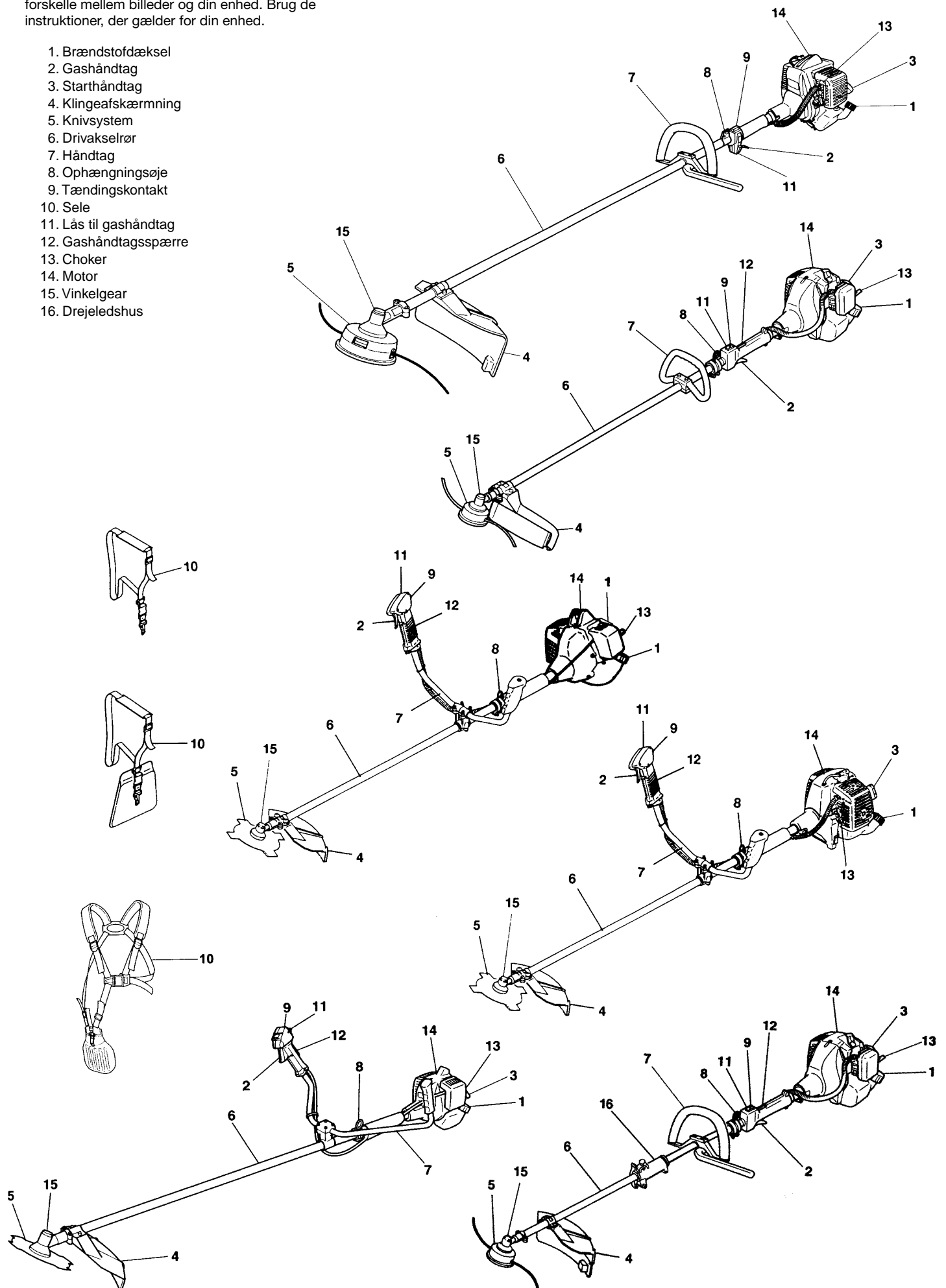
Indholdsfortegnelse

Hvad er hvad? _____	5
Advarsler og sikkerhedsinstruktioner _____	6
Samleprocedur _____	7
Betjening _____	10
Vedligeholdelse _____	13
Specifikationer _____	15

1. Hvad er hvad?

Denne manual dækker flere modeller, derfor kan der være forskelle mellem billeder og din enhed. Brug de instruktioner, der gælder for din enhed.

1. Brændstofdæksel
2. Gashåndtag
3. Starthåndtag
4. Klingeafskærmning
5. Knivsystem
6. Drivakselrør
7. Håndtag
8. Ophængningsøje
9. Tændingskontakt
10. Sele
11. Lås til gashåndtag
12. Gashåndtagsspærre
13. Choker
14. Motor
15. Vinkelgear
16. Drejeledshus



DK

2. Advarsler og sikkerhedsinstruktioner.

Operatørsikkerhed

- Brug altid ansigtsskærm eller briller af sikkerhedshensyn.
- Bær altid kraftige, lange bukser, støvler og handsker. Bær ikke løse klæder, smykker, korte bukser, sandaler eller gå barfodet. Sikre hår, så det er over skulderhøjde.
- Brug ikke dette værktøj, hvis du er træt, syg
- eller påvirket af alkohol, stoffer eller medicin. Lad aldrig et barn eller en uerfaren person
- betjene maskinen.
- Brug høreværn.
- Start resp. lad aldrig maskinen køre i et lukket
- rum eller lukket bygning. Indånding af udstødningsgasser kan være dræbende. Hold greb fri for olie og brændstof.
- Hold hænderne væk fra skærende udstyr.
- Tag ikke fat på hhv. hold ikke enheden på dens skærende udstyr.
- Når du slukker for enheden, skal du sikre dig, at skæreudstyret er standset, inden du sætter enheden ned. Ved længere arbejder skal man holde
- regelmæssige pauser for at undgå legemsbeskadigelser f.eks. i form af vibrationer (Raynaud fænomen / "White Finger Disease").

Enhed/maskinsikkerhed

- Undersøg hele enheden/maskinen før hver brug. Udskift beskadigede dele. Kontroller for brændstoffækager og kontroller, at alle fastgørelser er på plads og spændt sikkert. Udskift dele, der er revnede, skårede eller beskadiget på nogen måde, inden du bruger maskinen.
- Kontroller, at sikkerhedsskærmen sidder korrekt.
- Hold andre væk ved indstilling af karburatoren.
- Brug kun tilbehør, som er anbefalet af producenten til denne maskine.
- Lad aldrig kæden ramle mod nogen forhindring.

ADVARSEL!

Foretag aldrig ændringer på enheden/maskinen under nogen form. Brug aldrig enheden/maskinen til et job, som den ikke er beregnet til.

Brændstofsikkerhed

- Bland og hæld brændstof på udendørs, og hvor der ikke er nogen gnister eller flammer.
- Brug en beholder, som er godkendt til brændstof.
- Ryg ikke og tillad ikke rygning nær brændstof eller enheden/maskinen eller under brugen af enheden/maskinen.
- Tør alt spildt brændstof op, inden du starter maskinen. Gå mindst 3m væk fra påfyldningsstedet, inden du starter motoren.
- Stop motoren før du fjerner brændstofdækslet.
- Tøm brændstofftanken, inden du sætter enheden/maskinen til opbevaring. Det anbefales, at brændstoffet tømmes af efter hver brug af enheden/maskinen. Hvis der efterlades brændstof i tanken, så opbevar enheden/maskinen, så brændstoffet ikke lækker.
- Opbevar enhed/maskine og brændstof i et område, hvor dampe fra brændstof ikke kan komme i kontakt med gnister eller åben ild fra vandvarmere, elektriske motorer eller kontakter, ovne osv.

ADVARSEL!

Antivibrationssystemer garanterer ikke, at du slipper for at få hvide fingre eller carpal tunnel syndrom. Derfor skal vedvarende og regelmæssige brugere holde øje med deres hænders og fingres tilstand. Søg straks læge, hvis nogen af de ovenfor nævnte symptomer opstår.

Savesikkerhed

- Klip ikke andet materiale end græs og buske.
- Inspicer det område, der skal klippes, før hver brug. Fjern objekter som kan slynges omkring eller vikles ind.
- For åndedrætsbeskyttelse bær en aerosol beskyttelsesmaske, når græsset klippes efter spredning af insektdræbende midler.
- Hold andre inklusive børn, dyr, tilskuere og hjælpere uden for risikozonen på 15 m. Stop straks motoren, hvis nogen nærmer sig.
- Hold altid motoren på højre side af kroppen.
- Hold enheden/maskinen fast med begge hænder.
- Hold fast fodfæste og balance. Stræk ikke for langt ud.
- Hold alle legemsdele væk fra lyd-potten og savende udstyr, når motoren er i gang.
- Hold skæretilbehøret under hoftehøjde.

Vedligeholdelsessikkerhed

- Vedligehold enheden/maskinen i overensstemmelse med anbefalede procedurer.
- Tag tændrøret ud, inden du udfører vedligeholdelse, bortset fra ved karburatorindstilling.
- Hold andre væk, når du indstiller karburatoren.
- Brug kun originale HITACHI reservedele, som producenten anbefaler.

Transport og opbevaring

- Bær enheden/maskinen med hånden med motoren stoppet og lyd-potten væk fra din krop.
- Lad motoren køle af, tøm brændstofftanken, og sikre enheden/maskinen, inden du sætter den til opbevaring eller transporterer den i et køretøj.
- Tøm brændstofftanken før du sætter enheden/maskinen til opbevaring. Det anbefales at tømme brændstofftanken efter hver brug. Hvis der efterlades brændstof i tanken, så opbevar enheden/maskinen, så den ikke lækker brændstof.
- Opbevar enheden/maskinen uden for børns rækkevidde.
- Rengør og vedligehold enheden omhyggeligt og opbevar den et tørt sted.
- Kontroller, at motorkontakten er afbrudt under transport og opbevaring.
- Dæk kniven med knivdæksel ved transport i bil.

Hvis der forekommer situationer, som ikke er dækket af denne manual, så vær omhyggelig og brug den sunde fornuft. Kontakt din HITACHI forhandler, hvis du behøver assistance. Vær særlig opmærksom på udsagn, hvor følgende ord står foran:

ADVARSEL!

Hvis instruktionerne ikke følges, kan der være fare for alvorlige personskader eller død.

FORSIGTIG!

Hvis instruktionerne ikke følges, kan der være fare for personskader eller skader på udstyret.

BEMÆRK!

Nyttig information for korrekt funktion og brug.

FORSIGTIG!

Du må ikke skille rekylstarteren ad, da rekylfjederen kan springe ud og forårsage personskade.

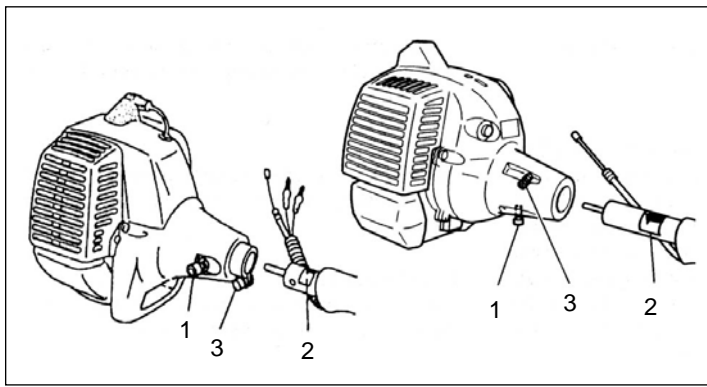


Fig.1-1

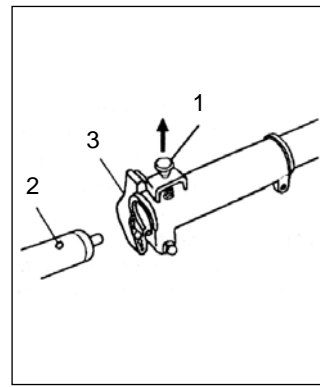


Fig.1-1B

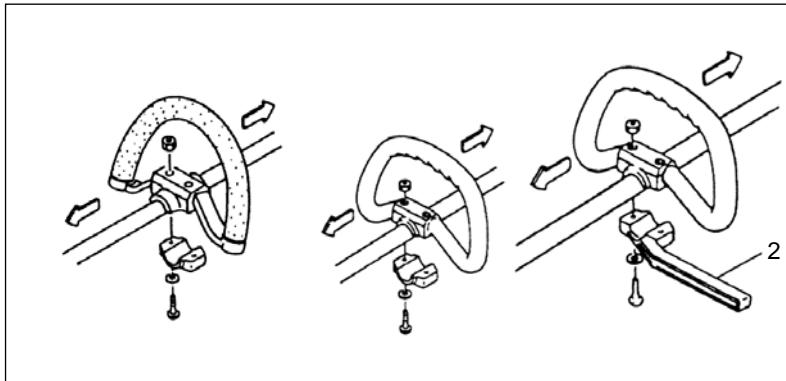


Fig.1-2

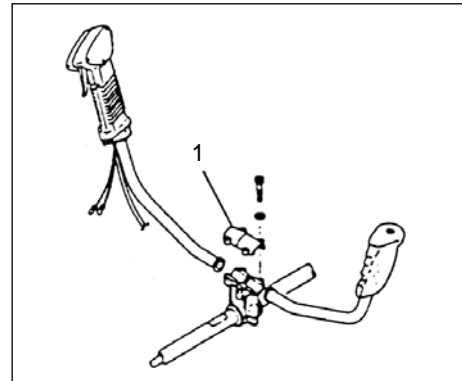


Fig.1-3

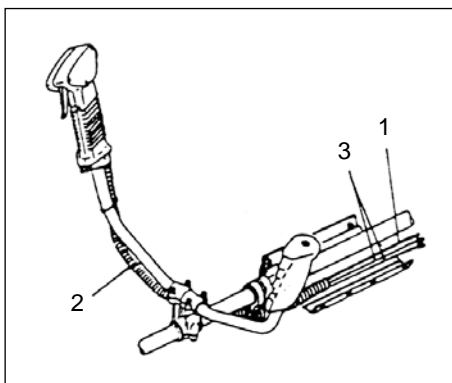


Fig.1-3B

3. Samleprocedur

Drivaksel på motor (fig. 1-1)

Løsn rørets sikringsbolt (1) ca. 10 omgange, så bolten ikke blokerer for det drivakselrør, der skal sættes i. Når du sætter drivakselrøret i, skal du holde rørets sikringsbolt udad, så den indvendige fitting heller ikke blokerer. Skub drivakslen ind i motorens koblingshus, indtil den position (2), der er angivet på drivakselrøret, møder koblingshuset.

BEMÆRK!

Hvis det er vanskeligt at føre drivakslen frem til den afmærkede position på drivakselrøret, kan du dreje den del af drivakslen, hvor klippeenheden er monteret, med uret eller mod uret. Spænd rørets sikringsbolt fast i hullet i akselrøret.

Spænd derefter sikringsbolten godt fast (3).

Montering af knivsystem

1. Sæt knivsystemet på plads.
2. Sørg for, at låsestiften (1) passer i rørets fastgøringshul (2), og at røret ikke går løs (fig. 1-1 B).
3. Spænd møtrikken (3) sikkert fast (fig. 1-1B).

Montering af håndtag

⚠ ADVARSEL!

Når du bruger stålklinger/stive klinger på lige akseltrimmere eller buskryddere, skal du altid bruge en barrierestang (2) og en skuldersele med løkkehåndtaget (fig.1-2).

Fastgør håndtaget til drivakselrøret med vinklen mod motoren.

Juster håndtaget, så det er behageligt at bruge.

Afmonter håndtagsbeslaget (1) fra samlingen (fig.1-3).

Anbring håndtagene der, hvor de skal sidde, og fastgør håndtagsbeslaget let med fire bolte. Juster beslaget, så det har den korrekte position. Fastgør det derefter ved at stramme boltene.

Før stopsnorene (3) og kablet til gashåndtaget (1) gennem beskyttelsesrøret (2), og hængt derefter hoftepudden af (fig. 1-3B).

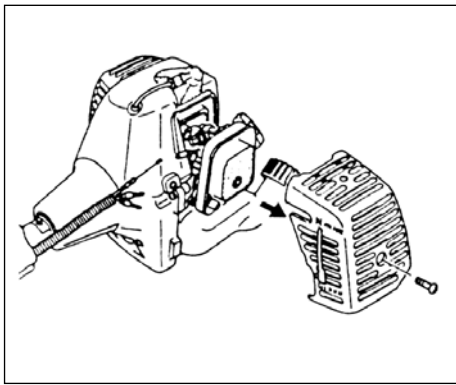


Fig. 1-4

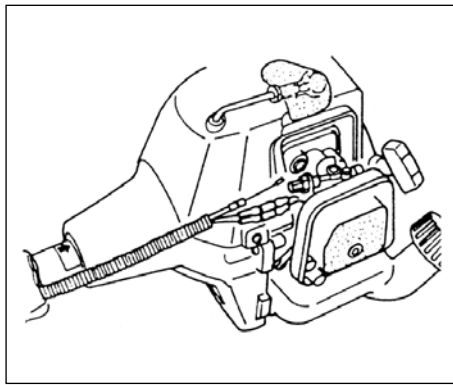


Fig. 1-5

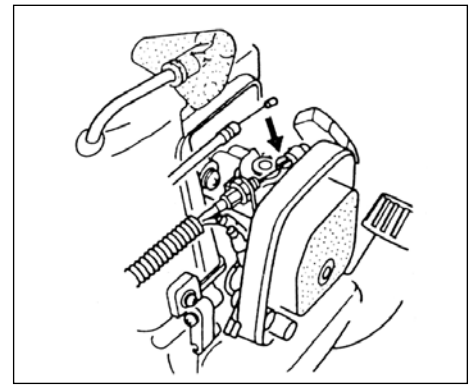


Fig. 1-6

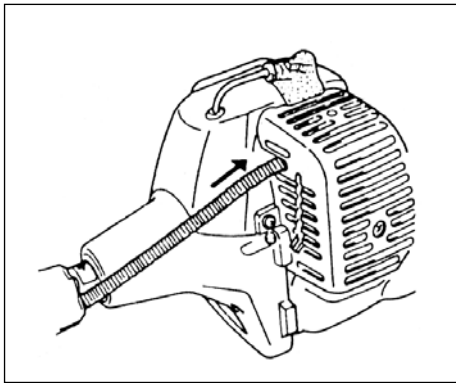


Fig. 1-7

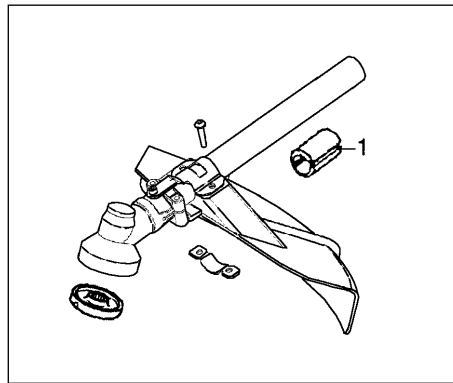


Fig. 1-8

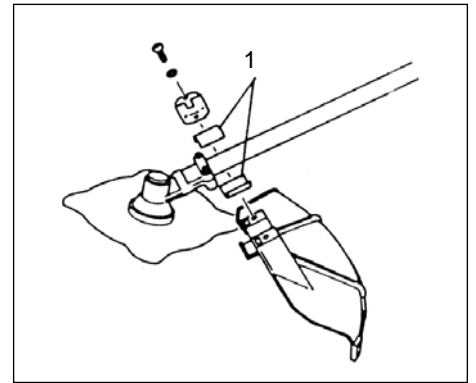


Fig. 1-8B

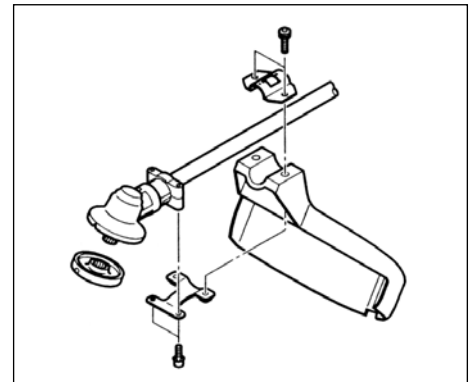


Fig. 1-8E

Kabel til gashåndtag/stopsnor

Afmonter luftfilterdækslet (fig. 1-4). Forbind stopsnorene (fig. 1-5).

Slut enden af kablet til gashåndtaget til karburatoren (Fig. 1-6).

Tildæk kablet til gashåndtaget og stopsnorene sammen med beskyttelsesarret, der fører op til luftfilterdækslet (fig. 1-7).

Installation af knivens skærm (Fig. 1-8, 8B)

Installer knivens skærm og beslagsafstandsstykkerne (1) (hvis udstyret med det) på drivakselrøret mod vinkeltransmission. Spænd skærmens beslag fast, så knivens skærm ikke svinger eller bevæger sig ned under driften.

Installer afskærmningen på afskærmningskonsollen, som også fastgør afskærmningen til gearkassen med de to monteringskraver.

FORSIGTIG!

Nogle klingeafskærmninger er udstyret med særlige kantskær. Vær forsigtig, når du betjener dem.

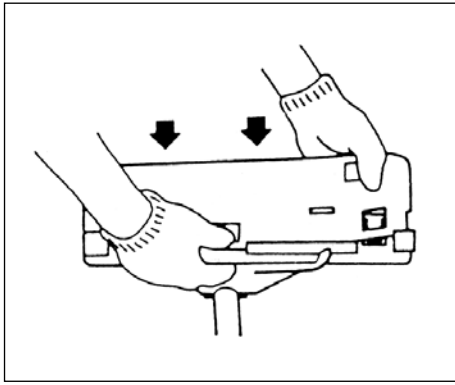


Fig. 1-9

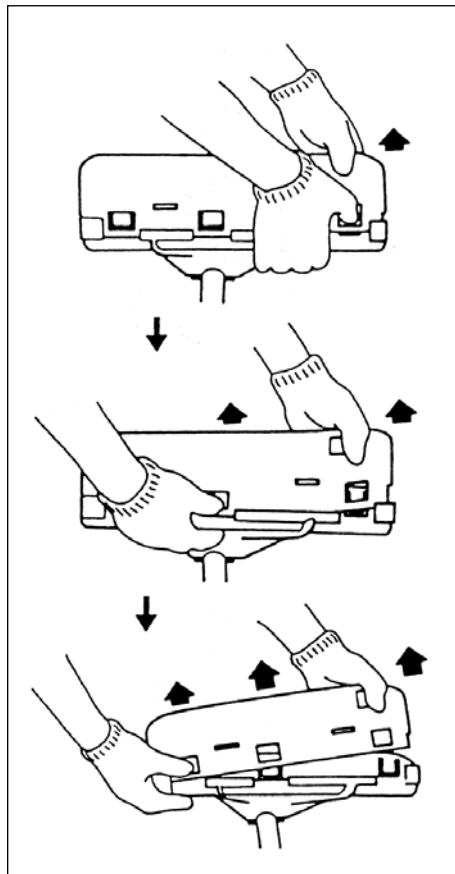


Fig. 1-9C

Når du bruger et trimmerhoved (2) med en klingeafskærmning af todelstypen, skal du fastgøre afskærmningsforlængerens til klingeafskærmningen (fig. 1-9).

BEMÆRK!

Hvis enheden er forsynet med en mærkat, der viser, hvordan afskærmningen monteres på drivakselrøret, skal du følge anvisningerne.

BEMÆRK!

Se tegningerne, hvis du vil afmontere afskærmningsforlængerens. Brug handsker, da forlængerens har et særligt kantskær, og skub derefter de fire firkantede tapper på plads én efter én (fig. 1-9C).

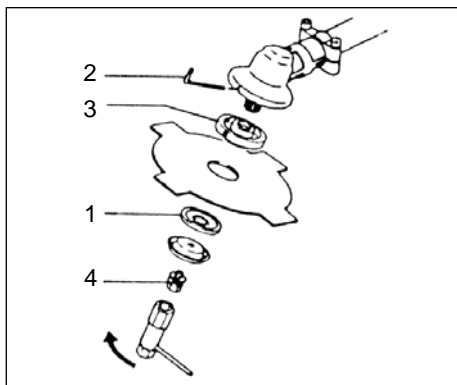


Fig. 1-10

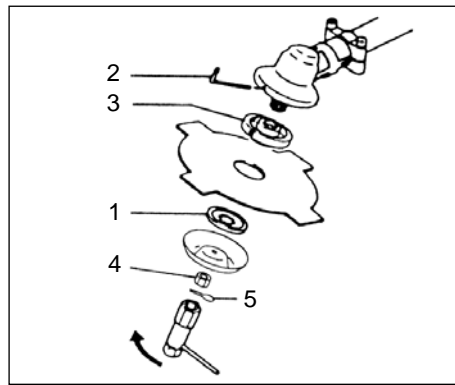


Fig. 1-10B

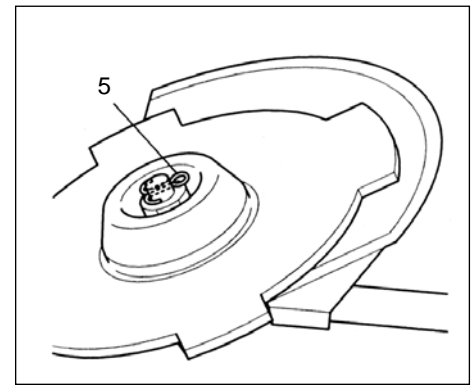


Fig. 1-10C

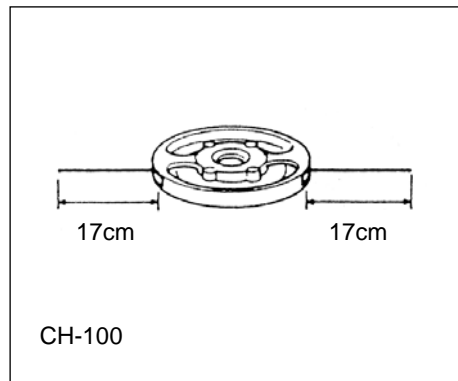


Fig. 1-11

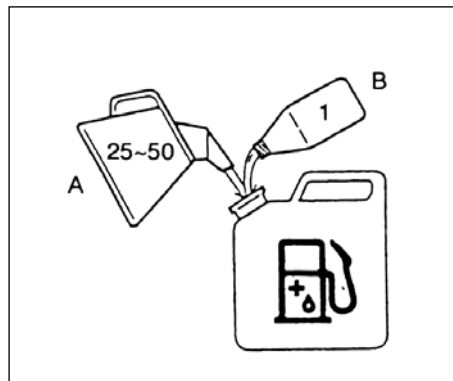


Fig. 2-1

Montering af klingen (fig. 1-10, 10B)

(Hvis enheden er udstyret med en klinge)
Når du monterer en klinge, skal du sørge for, at der ikke er nogen revner eller skader på den, og at skærene vender den rigtige vej.

BEMÆRK!

Når du monterer klingeholderdækslet (1), skal du sørge for at vende den konkave side opad. Sæt unbrakonøglen (2) i hullet i vinkelgearet for at låse klingeholderen (3). Vær opmærksom på, at klingens fastspændingsbolt eller -møtrik (4) er forsynet med venstregevind (løsnes med uret/spændes mod uret). Spænd fastspændingsboltene eller -møtrikken med en topnøgle.

BEMÆRK!

Hvis enheden er forsynet med en sikringsmøtrik og er udstyret med en split, skal klingens fastgørelse med en ny split (5), hver gang den monteres (fig. 1-10C).

FORSIGTIG!

Før brug skal du sørge for, at klingens montage er korrekt.

FORSIGTIG!

Hvis enheden er udstyret med et beskyttelsesdæksel under en klinge, skal du kontrollere det for slitage og revner før brug. Hvis du observerer slitage eller skader, skal du udskifte klingens, da den bliver slidt under brug.

Montering af BRAIN®-skærehovedet

BEMÆRK!

Se BRAIN®-betjeningsvejledningen, som leveres med BRAIN®-skærehovedet, for at få oplysninger om montering.

⚠ ADVARSEL!

Brug kun fleksible, ikke-metalliske liner, som anbefales af producenten, til HITACHI BRAIN-hoveder eller legerede HITACHI-hoveder. Brug aldrig stålkabler. De kan brække af og blive slynget ud med skade til følge.

BEMÆRK!

Når du bruger legerede HITACHI-hoveder (CH-100), skal den første del af klippelinien være ca. 17 cm (fig. 1-11).

4. Betjening

Brændstof (Fig. 2-1)

⚠ ADVARSEL!

Trimmeren er udstyret med en totaktsmotor. Motoren skal altid køre med brændstof, som er blandet med olie. Sørg for god ventilation, når du håndterer brændstof.

Brændstof

- Brug altid brandet 89 oktans blyfri benzin.
- Brug original totakts olie eller brug en blanding mellem 25:1 to 50:1, se oliedunken vedr. forholdet, eller kontakt din HITACHI forhandler.
- I staten Californien kun 50:1.
- Hvis original olie ikke er tilgængelig, så brug en kvalitetsolie, der er tilsat en anti-oxidant og udtrykkelig anbefalet til brug i en luftkølet, totakts motor (JASO FC GRADE OIL eller ISO EGC GRADE). Anvend ikke BIA eller TCW (2-takts vandkølet type) blandet olie.
- Bland altid brændstof og olie i en separat, ren container.
- Start altid med at fylde den halve mængde brændstof, som skal bruges, tilsæt så hele oliemængden. Bland (ryst) brændstofblandingen.

Tilsæt så resten af brændstoffet.

Bland (ryst) brændstofblandingen grundigt før du fylder på brændstofftanken.

Fyld brændstof på

⚠ ADVARSEL!

- Sluk altid for motoren, før du fylder brændstof på.
- Åbn tankdækslet langsomt, når du fylder på, så eventuelt overtryk forsvinder.
- Sæt brændstoffdækslet omhyggeligt på efter at have tanket.
- Flyt altid enheden mindst 3 m (10 ft.) væk fra brændstofområdet, før du starter enheden.

Rens tankdækslet omhyggeligt inden du tanker for at sikre, der ikke falder urenheder i tanken. Kontroller, at brændstoffet er godt blandet ved at ryste containeren inden tankning.

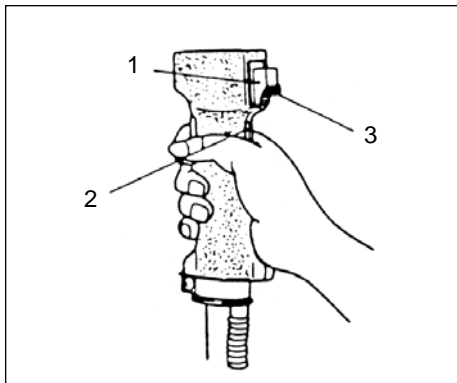


Fig.2-2

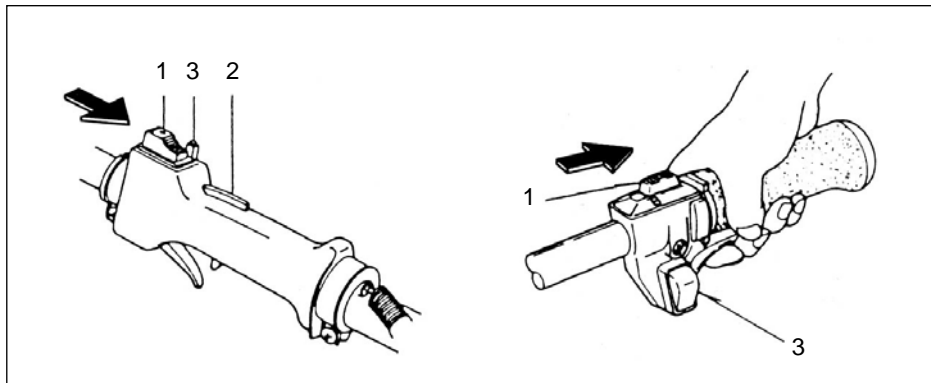


Fig.2-2B

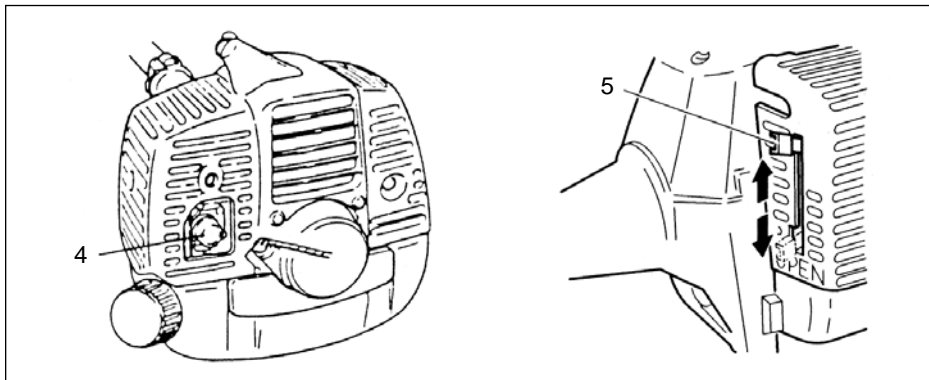


Fig.2-2C

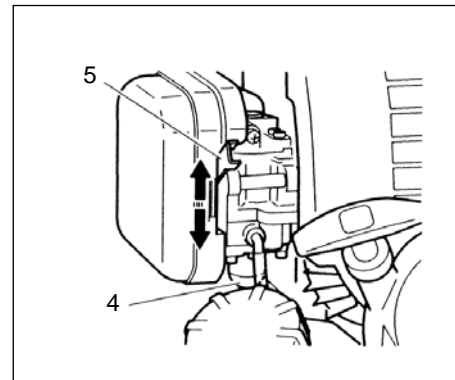


Fig.2-3

Start (Fig. 2-2, 2B)

Inden du starter, skal du sikre dig, at knivsystemet ikke rører ved noget.

1. Sæt tændingskontakten (1) på positionen ON. (Fig. 2-2, 2B)

* Tryk snapsepumpen (4) adskillige gange, så brændstoffet flyder gennem pumpen eller returrøret. (hvis udstyret med det) (Fig. 2-2C, 3).

2. Tryk sikkerhedsafbryderen (2) (hvis monteret) ind, træk i gashåndtaget, og tryk på låseknappen (3). Slip derefter først gashåndtaget langsomt og derefter sikkerheds-afbryderen. Det låser gashåndtaget i startpositionen. (Fig. 2-2, 2B)

3. Sæt chokeren i positionen CLOSED (5). (Fig. 2-2C, 3)

4. Træk rekylstarteren kvikt, sørg for godt greb i håndtaget, så det ikke smutter tilbage.

5. Når du hører motoren ønsker at starte, så sæt chokeren tilbage til positionen RUN (åben). Træk så rekylstarteren kvikt igen.

BEMÆRK!

Hvis motoren ikke starter, skal du gentage procedurerne fra 2 til 5.

6. Når du har startet motoren, skal du trække i gashåndtaget for at frigøre låsen til gashåndtaget. Lad derefter motoren køre 2-3 minutter for at varme op, inden du udsætter den for belastning.



Fig. 2-4

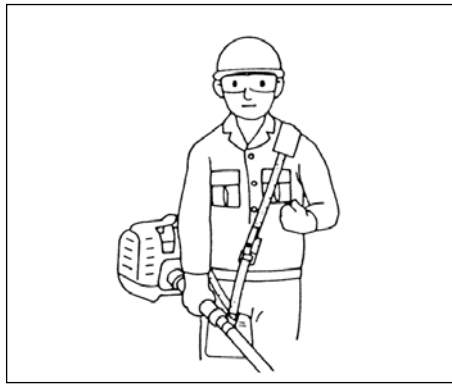


Fig. 2-4B

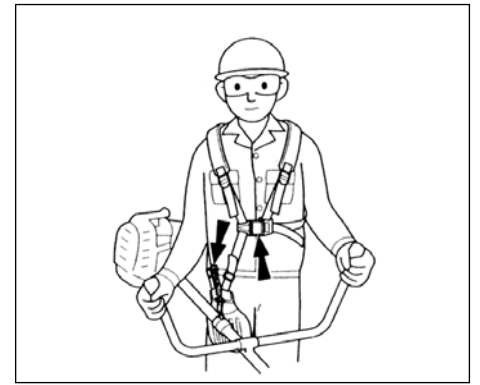


Fig. 2-4C

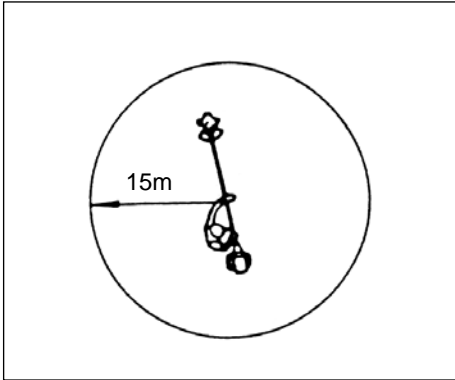


Fig. 2-4D

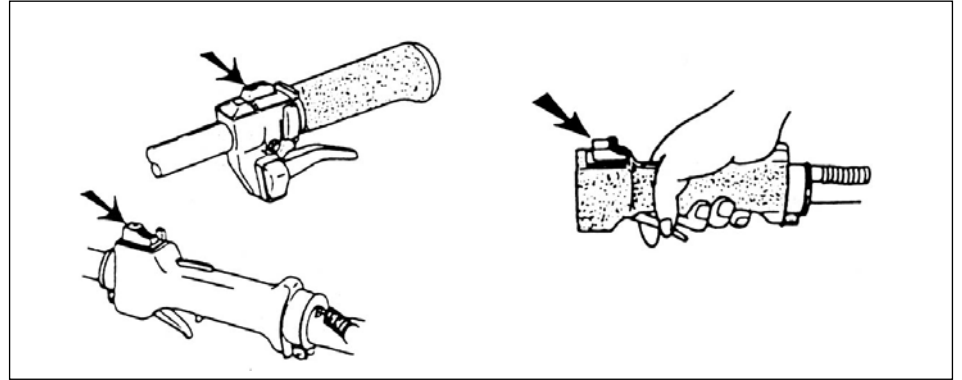


Fig. 2-5

Klipning (Fig. 2-4, 4B, 4C, 4D)

- Når du bruger enheden til klipning, skal du betjene motoren ved over 6.500 o/m. Hvis du bruger enheden i længere tid ad gangen ved lavt omdrejningstal, kan du opslide koblingen for hurtigt.
- Klip græsset fra højre mod venstre.
- Der kan forekomme slag mod klingens, hvis den roterende klinge kommer i kontakt med en fast genstand i det område, der skal klippes. Der kan opstå en farlig situation, hvor enheden ryster så meget, at brugeren mister kontrollen over den. Denne reaktion kaldes KLINGETRYK. Som følge heraf kan brugeren miste kontrollen over enheden, hvilket kan medføre alvorlig personskade. Klingetryk forekommer især i områder, hvor det er vanskeligt at se det materiale, der skal klippes.
- Brug selen (hvis monteret) som vist på figuren. Klingens drejning mod uret, og derfor rådes du til at betjene enheden fra højre mod venstre for at opnå effektiv klipning. Hold tilskuere mindst 15 m væk fra arbejdsområdet.

BEMÆRK!

Tryk på hurtigudløser-knappen, eller træk i nødudløseren (hvis monteret) i nødstilfælde (fig. 2-4C).

⚠ ADVARSEL!

Hvis knivsystemet rammer sten eller grene, skal du stoppe motoren og sørge for, at systemet og de relaterede dele er ubeskadiget. Når græs eller slyngplanter vikler sig rundt om systemet, skal du stoppe motoren og systemet, og fjerne græsset eller planterne.

Standsning (fig. 2-5)

- Reducer motorens hastighed, køber i tomgang i nogle få minutter, og sluk derefter på tændingskontakten.

⚠ ADVARSEL!

Et knivsystem kan forårsage skade, mens det fortsætter med at snurre rundt, når motoren stoppes eller strømkontrollen frigøres. Når enheden slukkes, skal du sørge for, at knivsystemet er stoppet, før enheden sættes ned.

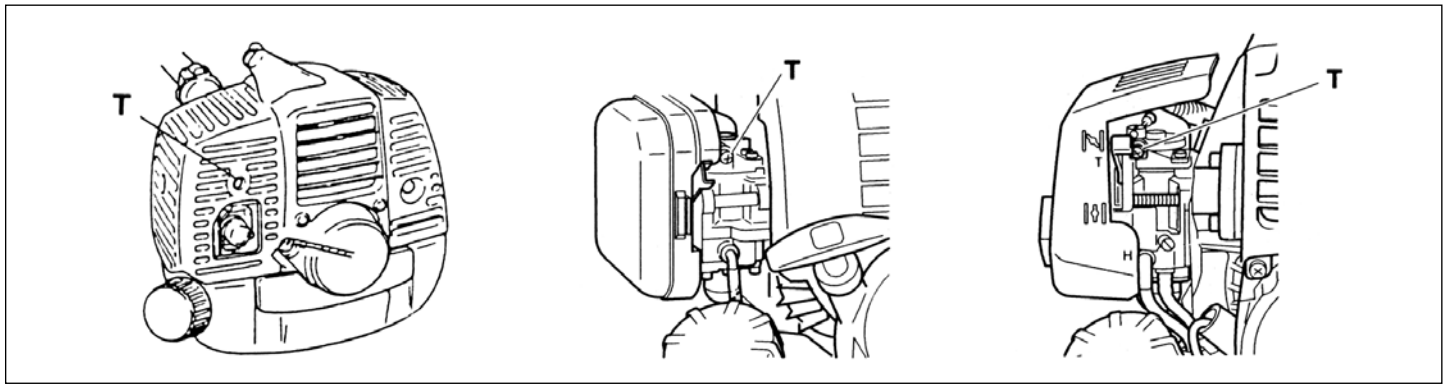


Fig.3-1

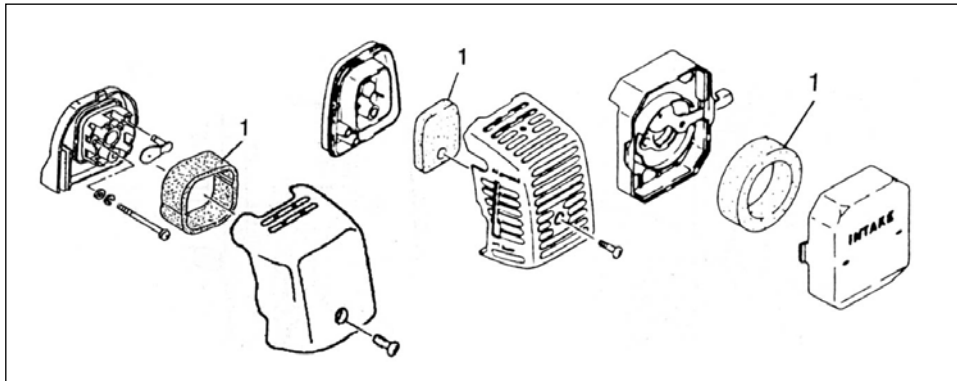


Fig.3-2

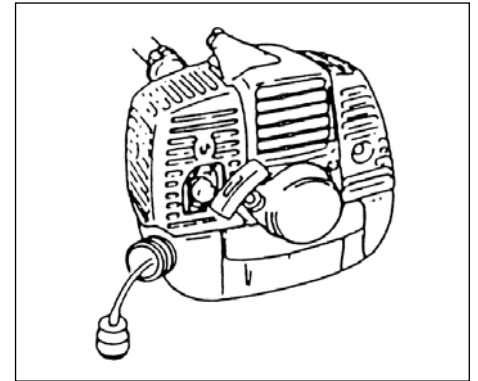


Fig. 3-2B

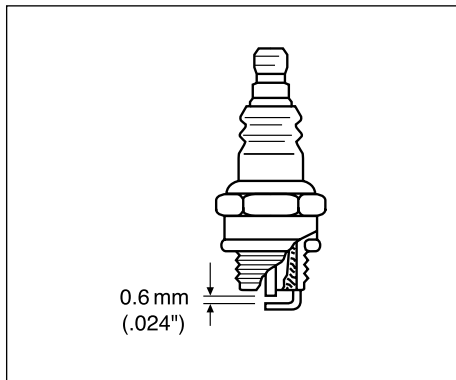


Fig. 3-3

5. Vedligeholdelse

VEDLIGEHOLDELSE, UDSKIFTNING ELLER REPARATION AF EMISSIONS-KONTROLNEDER OG SYSTEM KAN UDFØRES AF ETHVERT MOTORREPARATIONSVÆRKSTED ELLER INDIVID.

Karburatorindstilling (Fig. 3-1)

⚠ ADVARSEL!

Knivsystemet kan spinne under karburatorjusteringer.

⚠ ADVARSEL!

Start aldrig motoren, før hele koblingsdækslet og røret er samlet! Ellers kan koblingen rive sig løs og medføre personskaade.

I karburatoren blandes brændstof med luft. Når motoren testkøres på fabrikken, foretages der grundlæggende justering af karburatoren. Yderligere justering kan være nødvendig afhængigt af klima og højde. Karburatoren har én justeringsmulighed:

T=skruer til justering af tomgangshastighed.

Tomgangsindstilling (T)

Kontroller, at luftfilteret er rent. Når tomgangen er korrekt, vil saveudstyret ikke rotere. Hvis det er nødvendigt med indstilling, luk (med uret) T-skruen med motoren i gang, til udstyret begynder at rotere. Du har nået den rette tomgang, når motoren kører glat i alle positioner vel under rpm, når saveudstyret begynder at rotere.

Hvis saveudstyret stadig roterer efter indstilling af tomgang, skal du kontakte din forhandler.

BEMÆRK!

Standardomdrejningstallet i tomgang er 2.500-3.000 o/m.

⚠ ADVARSEL!

Når motoren kører i tomgang, må knivsystemet under ingen omstændigheder rotere.

BEMÆRK!

Nogle modeller, som sælges i områder med strengt regler for udstødningens emission, har ikke karburatorindstillinger for høj og lav hastighed. Sådanne indstillinger kan tillade, at motoren bruges ud over grænserne for deres emissions overholdelse. For disse modeller er tomgang den eneste karburatorindstilling.

For modeller, der er udstyret med indstillinger for lav og høj hastighed, er karburatorerne forudindstillet fra fabrikken. Mindre indstillinger kan optimere ydelsen baseret på klima, højde osv. Drej aldrig indstillingsskruerne i spring over 90 grader, da forkert indstilling kan beskadige motoren. Kontakt din HITACHI-forhandler, hvis du ikke er fortrolig med den type indstillinger.

Luftfilter (Fig. 3-2)

Luftfilteret (1) skal renses for snavs og støv for at undgå:

- Funktionsfejl på karburator.
- Startproblemer.
- Reduceret motorydelse.
- Unødvendigt slid på motordele.
- Unormalt brændstofforbrug.

Rens luftfilteret dagligt eller oftere ved arbejde i særligt støvede områder.

Rens luftfilteret

Fjern luftfilterets dæksel og filteret (1). Rens dem i en varm sæbeopløsning. Kontroller, at filteret er tørt inden samling. Et luftfilter, der har været brugt nogen tid, kan ikke renses komplet. Derfor skal det udskiftes regelmæssigt med et nyt. Et beskadiget filter skal altid udskiftes.

Brændstoffilter (fig. 3-2B)

Aftap alt brændstoffet fra brændstoftanken, og træk brændstoffilterledningen fra tanken. Træk filterelementet ud af holdersamlingen, og rens elementet i varmt vand med rengøringsmiddel. Skyl elementet grundigt, indtil alle spor af rengøringsmiddel er fjernet. Klem forsigtigt overskydende vand ud (undlad at vride), og lad elementet lufttørre.

BEMÆRK!

Udskift filteret, hvis det er hårdt pga. støv og snavs.

Tændrør (Fig. 3-3)

Tændrørets tilstand påvirkes af:

- Forkert karburatorindstilling.
- Forkert brændstofblanding (for meget olie i benzinen)
- Et snavset luftfilter.
- Vanskelige driftsforhold (f.eks. koldt vejr).

Disse faktorer forårsager aflejringer på tændrørets elektroder, som kan resultere i funktionsfejl og startvanskeligheder. Hvis motoren har lav ydelse, er vanskelig at starte eller kører dårligt i tomgang, skal du altid først kontrollere tændrøret. Hvis tændrøret er snavset, skal det renses, og elektrodeafstanden måles. Juster om nødvendigt. Den korrekte afstand er 0.6 mm (.024"). Tændrøret bør udskiftes efter ca. 100 driftstimer eller før, hvis elektroderne er slemt eroderede.

BEMÆRK!

I nogle områder kræver lokal lovgivning brugen af et modstandstændrør for at undertrykke tændingssignaler. Hvis denne maskine oprindeligt var udstyret med modstandstændrør, så brug samme type ved udskiftning.

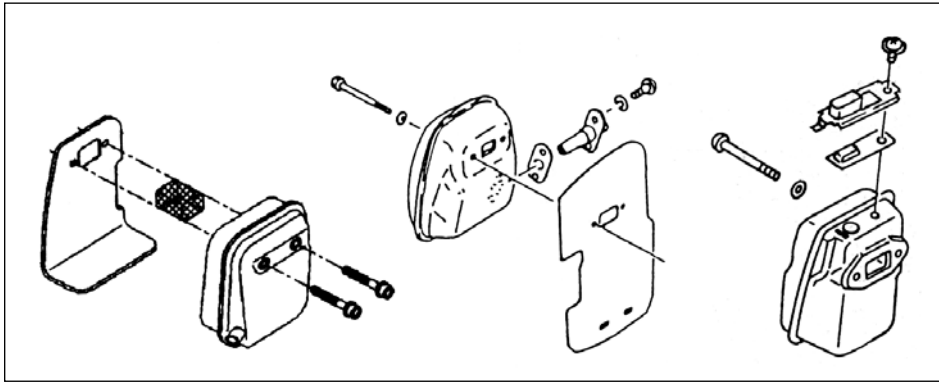


Fig.3-4

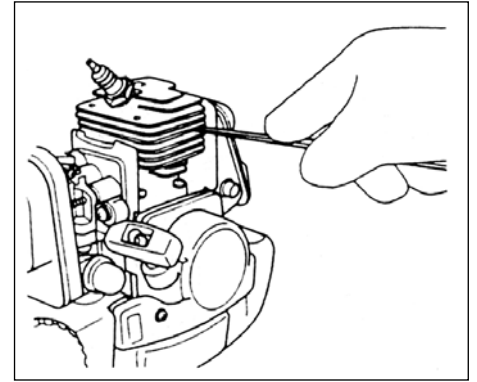


Fig.3-4B

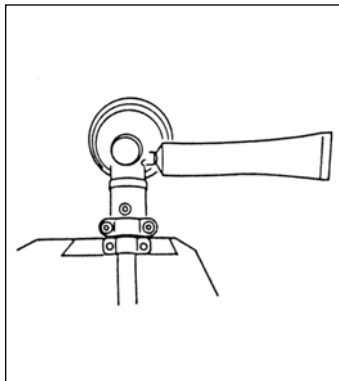


Fig. 3-5

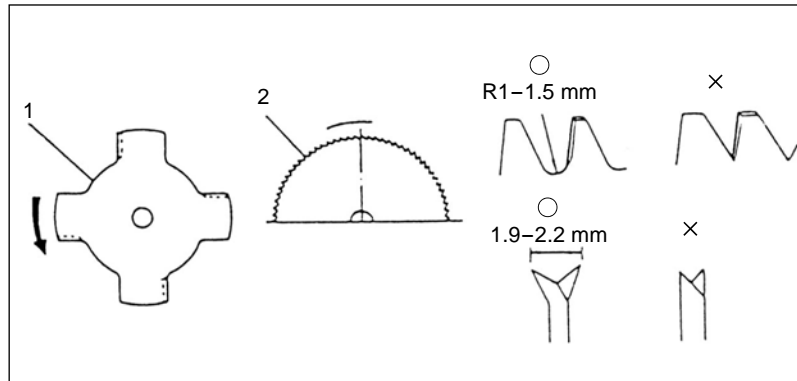


Fig. 3-6

Lyddæmper (fig. 3-4)

Afmonter lyddæmperen, og fjern eventuelt overskydende kuldioxid fra udstødningsporten eller lyddæmperindgangen for hver 100. driftstime.

Cylinder (motorafkøling) (fig. 3-4B)

Motoren luftkøles, og luften skal cirkulere frit rundt om motoren og over køleribberne på cylinderhovedet for at forhindre overophedning.

For hver 100 driftstimer eller en gang om året (ofte hvis nødvendigt) skal finner og ydre overflader på motor rengøres for støv, snavs og olieaflejringer, som kan medføre forringet afkøling.

BEMÆRK!

Betjen ikke motoren, hvis motorens afdækning eller lyddæmperafskærmningen er afmonteret, da dette medfører overophedning og skade på motoren.

Vinkelgear (fig. 3-5)

Kontrollér vinkelgearhusets eller vinkelgearets fedtniveau for ca. hver 50. driftstime ved at afmontere fedtpåfyldningsproppen på siden af vinkelgearhuset.

Hvis du ikke kan se noget fedt på gearenes flanker, skal du fylde huset 3/4 med lithiumfedt af god kvalitet (baseret på universalfedt). Fyld ikke huset helt.

Klinge (Fig. 3-6)

⚠ ADVARSEL!

Brug beskyttelseshandsker, når du håndterer eller udfører vedligeholdelse på klingen.

- Brug en skarp klinge. Der er større risiko for, at en sløv klinge går fast eller forårsager klingetryk. Udskift fastgørelsesmøtrikken, hvis den er beskadiget eller vanskelig at spænde.
- Når du udskifter klinger, må du kun bruge de klinger, der anbefales af HITACHI, med et 25,4 mm stort monteringshul.
- Når du monterer savklinger (2), skal du altid vende den trykte side opad. Hvis du bruger en 4-tandet savklinge (1), kan du vende den begge veje.
- Brug altid den korrekte klinge til opgaven.
- Når du udskifter klinger, skal du bruge et korrekt afmonteringsværktøj.
- Når skærene bliver sløve, skal du efterslibe eller file dem som vist på figuren. Forkert slibning kan medføre overdreven vibration.
- Kassér klinger, der er bøjede, skæve, revnede, i stykker eller defekte i øvrigt.

BEMÆRK!

Når du sliber klinger, er det vigtigt, at du bevarer klingens oprindelige radiusform nederst i fortandingen, så klingen ikke revner.

Vedligeholdelsesplan

Nedenfor finder du nogle generelle instruktioner for vedligeholdelse. For yderligere information kontakt din serviceforhandler.

Daglig vedligeholdelse

- Rengør hæktrimmeren udvendig.
- Kontrollér, at selen er intakt.
- Check at kniven er skarp og uden revner. Check at knivens møtrik er spændt tilstrækkeligt.
- Kontrollér, at knivsystemet er korrekt centreret, skarpt og uden revner. Et knivsystem, der ikke sidder lige i midten, forårsager kraftige vibrationer, der kan skade enheden.
- Kontrollér, at knivsystemets møtrik er spændt tilstrækkeligt.
- Check at møtrikker og skruer er tilstrækkeligt spændt.





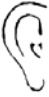

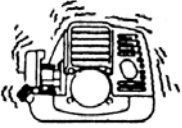





Ugentlig vedligeholdelse

- Kontrollér starteren, især rem og returfjeder.
- Rens tændrøret udvendigt.
- Fjern tændrøret og kontroller elektrodeafstanden.
- Rens kølefinerne på cylinderen og kontroller, at luftindtaget på starteren ikke er stoppet til.
- Kontrollér, at vinkelgearhuset er fyldt 3/4 med fedt.
- Rens luftfilteret.

Månedlig vedligeholdelse





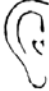

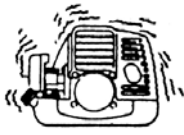
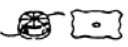

- Skyl brændstoftanken med benzin og rens brændstoffilter.
- Rens karburatoren udvendigt og pladsen omkring den.
- Rens blæser og pladsen omkring den.

6. Specifikationer

	MODEL CG25EJ (L)/CG25EJ (SL) CG25EJ /CG25EJ (S) CG25EJ (SLD)	CG28EJ (L)/CG28EJ (SL) CG28EJ
		
Motorstørrelse (ml)	24 (1.46 cu. in.)	28 (1.71 cu. in.)
		
Tændrør	CHAMPION CJ8 eller NGK BMR6A eller tilsvarende	CHAMPION CJ6Y eller RCJ6Y eller tilsvarende
		
Brændstoftank kapacitet (l).....	0.50 (16.9 fl. oz)	0.70 (23.6 fl. oz)
		
Vægt tør (kg)	CG25EJ (L) 4.4 (9.7 lbs) CG25EJ (SL) 4.56 (10.1 lbs) CG25EJ 4.6 (10.1 lbs) CG25EJ (S) 4.76 (10.5 lbs) CG25EJ (SLD) 5.6 (12.3 lbs)	CG28EJ (L)5.4 (11.9 lbs) CG28EJ (SL)5.56 (12.3 lbs) CG28EJ5.6 (12.3 lbs)
		
Støjniveau (dB(A))	LpA	
(EN 27917)	CG25EJ (L)/CG25EJ (SL)96.8 CG25EJ /CG25EJ (S)100.6 CG25EJ (SLD)96.8	CG28EJ (L)/CG28EJ (SL)95.0 CG28EJ95.5
		
Støjniveau (dB(A))	LwA 112	116
		
Vibrationsniveau (m/s ²)(ISO 7916)	CG25EJ (SDL)   	 
Forreste håndtag	3.0 3.2 4.4	2.6 4.1
Bagerste håndtag	4.4 4.8 5.0	3.5 5.6
Venstre håndtag.....	3.3 3.6	2.4 2.5
Højre håndtag.....	2.7 3.7	1.9 2.0

BEMÆRK : Tilsvarende støjniveau/vibrationsniveau er beregnet som tidsvægtet energi total for støj/vibrationsniveauer under forskellige driftsbetingelser med følgende tidsfordeling: 1/2 tomgang, 1/2 i fuld fart.

*Erklærer som eneansvarlig, at produktet hækrtrimmer model.

	MODEL	CG33EJ (L) CG33EJ /CG33EJ (S)	CG27EJ (SL)/CG27EJ (S) CG27EJ (SLD)
			
Motorstørrelse (ml)		33 (2.00 cu. in.)	27 (1.65 cu. in.)
			
Tændrør		CHAMPION CJ6Y eller RCJ6Y eller tilsvarende	CHAMPION RCJ8Y eller tilsvarende
			
Brændstoftank kapacitet (l).....		0.70 (23.6 fl. oz)	0.67 (22.8 fl. oz)
			
Vægt tør (kg).....		CG33EJ (L)5.5 (12.1 lbs) CG33EJ5.7 (12.5 lbs) CG33EJ (S)5.86 (12.9 lbs)	CG27EJ (SL)5.5 (12.12 lbs) CG27EJ (S)6.0 (13.22 lbs) CG27EJ (SLD)5.7 (12.56 lbs)
			
Støjniveau (dB(A))		LpA	
(EN 27917)		CG33EJ (L)94.5 CG33EJ /CG33EJ (S)94.5	CG27EJ (SL)97.5 CG27EJ (S)98.3 CG27EJ (SLD)97.5
			
Støjniveau (dB(A))		LwA 116	116
			
Vibrationsniveau (m/s ²)(ISO 7916)			CG27EJ (SLD)
			
Forreste håndtag		5.4 5.2	5.8 2.1 5.7
Bagerste håndtag		3.7 7.1	3.2 4.5 3.1
Venstre håndtag.....		1.8 2.1	4.6 2.3
Højre håndtag.....		2.5 2.9	3.4 2.0

BEMÆRK : Tilsvarende støjniveau/vibrationsniveau er beregnet som tidsvægtet energi total for støj/vibrationsniveauer under forskellige driftsbetingelser med følgende tidsfordeling: 1/2 tomgang, 1/2 i fuld fart.

*Erklærer som eneansvarlig, at produktet hæktrimmer model.

HITACHI

CG25EJ/CG25EJ (L)/CG25EJ (SL)

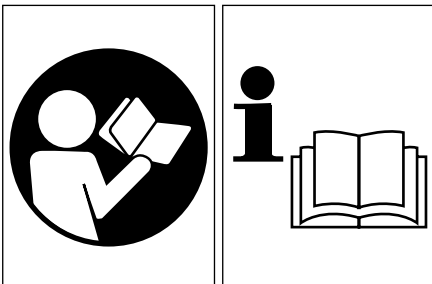
CG25EJ (S)/CG25EJ (SDL)

CG27EJ (S)/CG27EJ (SL)/CG27EJ (SLD)

CG28EJ/CG28EJ (L)/CG28EJ (SL)

CG33EJ/CG33EJ (L)/CG33EJ (S)

NO



Bruksanvisningen må leses nøye
før bruk av maskinen.

Bruksanvisning

Betydning av symboler og etiketter. (MERK! Noen enheter har ikke slike)



ADVARSEL

Avgassene fra dette produktet inneholder stoffer som er kjent i Staten California som kreftfremkallende, arvestoffskadelige og reproduksjonsskadelige.



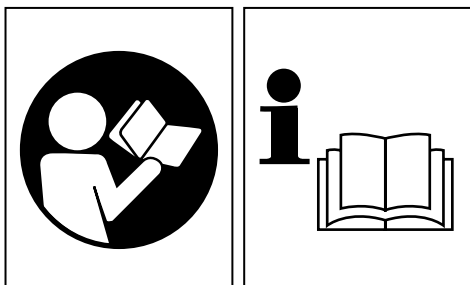
Les, forstå og følg alle advarsler og instruksjoner i denne bruksanvisningen og på enheten.



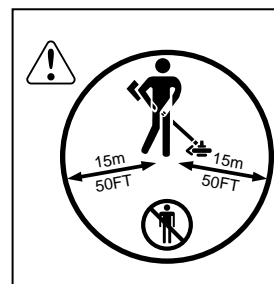
Bruk alltid øye-, hode- og ørebeskyttelse når du bruker denne enheten.



Ikke bruk metall/faste blader hvis dette symbolet er vist på enheten.



Det er viktig at du leser, forstår innholdet fullstendig og legger merke til sikkerhetsvernetiltak og advarsler. Uforsiktighet eller feil bruk av denne enheten kan forårsake alvorlig eller livsfarlig skade.



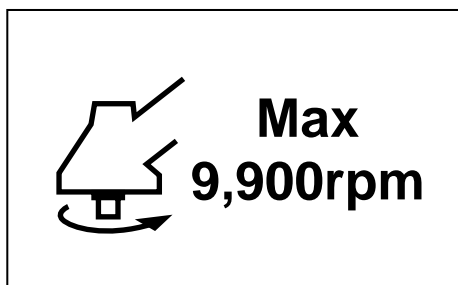
Hold alle barn, tilskuere og hjelpere på 15 m avstand fra enheten. Hvis noen skulle nærme seg må maskinen og klippeutstyret stoppes øyeblikkelig.



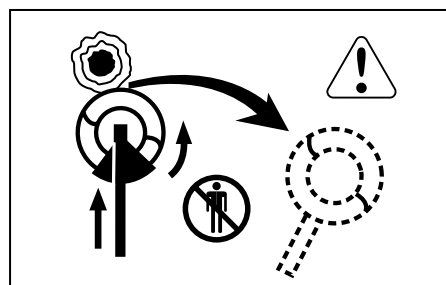
Vær forsiktig med utkastet



Bruk sklisikker og solid skotøy.



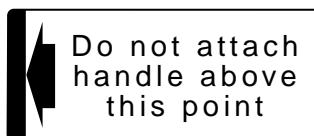
Viser maksimum askelastighet. Ikke bruk klippeutstyr som har en maksimal rotasjonshastighet som er lavere enn akselens rotasjonshastighet.



Støt mot bladet kan skje når det roterende bladet kommer i kontakt med faste objekter i det kritiske området. En farlig reaksjon kan oppstå som forårsaker at hele enheten og operatøren kan få et voldsomt slag. Denne reaksjonen heter BLADE THRUST (slag mot bladet). Et resultat av dette kan være at operatøren mister kontrollen over enheten, som kan føre til alvorlig eller dødelig skade. Slag mot bladet skjer mest sannsynlig i områder der det er vanskelig å se materialet som klippes.



Bruk hansker om nødvendig, f.eks. ved montering av klippeutstyret.



Indiker plassering av håndtaket. Ikke fest håndtaket over dette punktet.

Før du tar i bruk din nye enhet

- Les bruksanvisningen nøye.
- Kontroller klippeutstyrets montering og justering.
- Start enheten og kontroller forgasserinnstillingen. Se "Vedlikehold".

Konformitetserklæring

Vi, Nikko Tanaka Engineering Co., Ltd., 3-4-29 Tsudanuma, Narashino,
Chiba, Japan

Erklærer med vårt eneansvar at produktet, hekklipper modell

CG25EJ/CG25EJ (L)/CG25EJ (SL)
CG25EJ (S)/CG25EJ (SDL)
CG27EJ (S)/CG27EJ (SL)/CG27EJ (SLD)
CG28EJ/CG28EJ (L)/CG28EJ (SL)
CG33EJ/CG33EJ (L)/CG33EJ (S)

som denne deklarasjonen tilhører, er i overensstemmelse med de vesentlige
sikkerhetskrav og direktiver.

98/37/EC, 89/336/EEC, 2000/14/EC

Det er tatt hensyn til følgende standarder
ISO 7112/7113/7916/7917/7918/8380/11682
(EN ISO 12100-1/2, EN ISO 11806)

Produsert ved : Chiba, Japan

Underskrift:



Serienr. opp fra

E570001

Yoshio Osada

Stilling:

Direktør

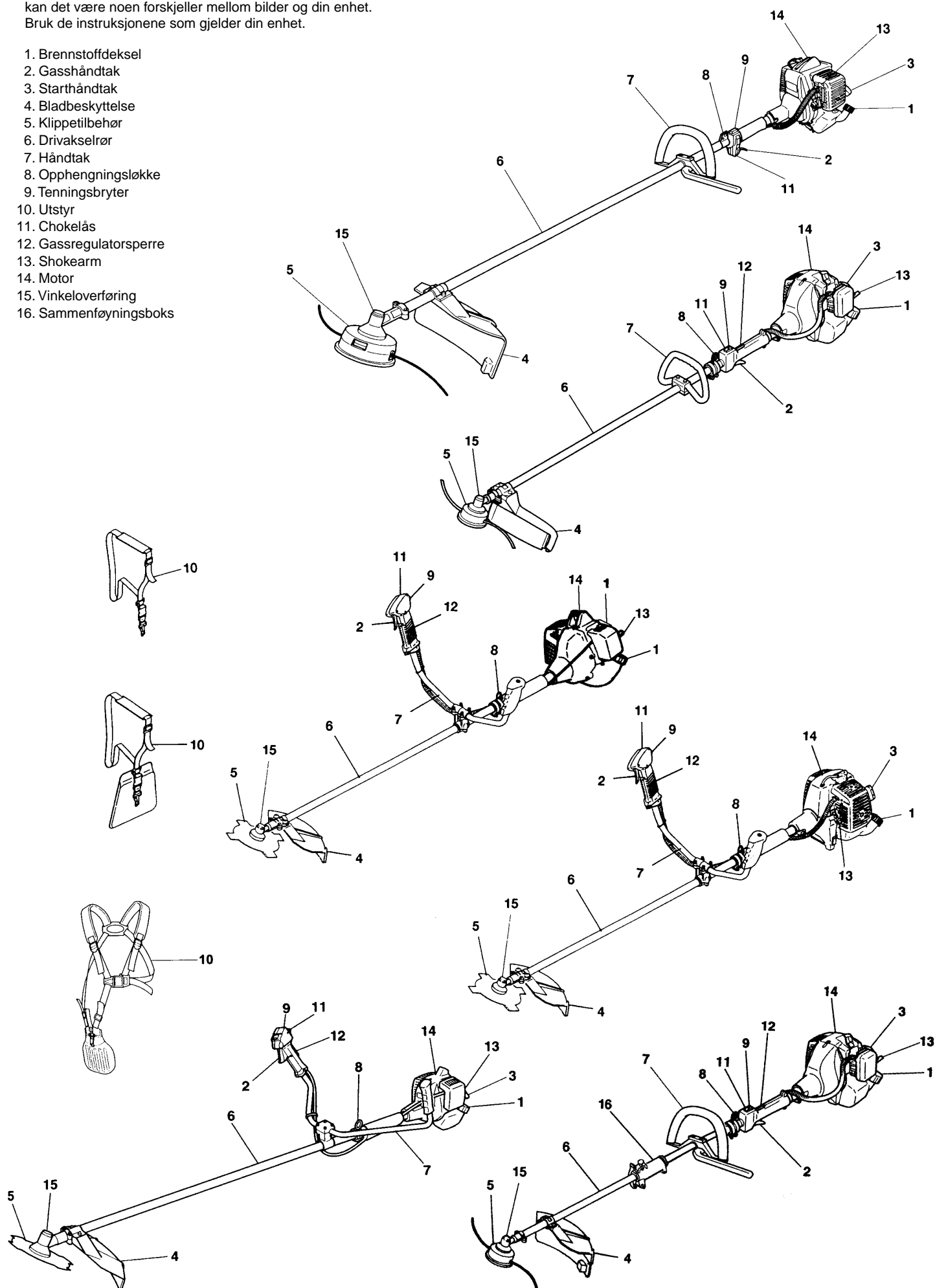
Innhold

Hva er hva? _____	5
Advarsler og sikkerhetsinstruksjoner _____	6
Montering _____	7
Funksjon _____	10
Vedlikehold _____	13
Tekniske data _____	15

1. Hva er hva?

Siden denne bruksanvisningen er felles for flere modeller kan det være noen forskjeller mellom bilder og din enhet. Bruk de instruksjonene som gjelder din enhet.

1. Brennstoffdeksel
2. Gasshåndtak
3. Starthåndtak
4. Bladbeskyttelse
5. Klippetilbehør
6. Drivakselrør
7. Håndtak
8. Opphengningsløkke
9. Tenningsbryter
10. Utstyr
11. Chokelås
12. Gassregulatorsperre
13. Shoearm
14. Motor
15. Vinkeloverføring
16. Sammenføyningsboks



NO

2. Advarsler og sikkerhetsinstruksjoner

Personlig sikkerhet

- Bruk alltid ansiktsbeskyttelseskjerm eller vernebriller.
- Bruk alltid tykke, lange bukser, støvler og hansker. Ikke bruk løstsittende klær, smykker, korte bukser, sandaler eller gå barbeint. Fest håret slik at det holder seg kortere enn skulderlangt.
- Ikke bruk denne enheten/maskinen når du er trøtt, syk eller påvirket av alkohol, narkotika eller medisiner.
- La aldri barn eller personer uten erfaring bruke maskinen.
- Bruk hørselsvern.
- Aldri start eller kjør motoren inne i et lukket rom eller en bygning. Innånding av eksosgass kan være dødelig.
- Hold håndtakene frie for olje og drivstoff.
- Hold hendene borte fra fresingsutstyr.
- Ikke grip eller hold maskinen i fresingsutstyret.
- Når maskinen er slått av, forviss deg om at fresingsanordningen har stoppet før maskinen settes ned.
- Ved lengre tids bruk er det nødvendig at du tar en pause fra tid til annen, for å unngå at fingrene eventuelt blir følelseløse på grunn av vibrasjonene.

Enhet/maskin-sikkerhet

- Kontroller hele enheten/maskinen før hver gangs bruk. Bytt ut ødelagte deler. Kontroller om det er bensinlekkasje og vær sikker på at alle skruene er på plass og godt tilskrudd.
- Erstatt deler som er revnet, sprukket eller ødelagt på noen måte før bruk av enheten/maskinen.
- Vær sikker på at sikkerhetsbeskyttelsen er ordentlig festet.
- Hold andre unna når forgasseren justeres.
- Bruk kun tilbehør som er anbefalt av produsenten for denne enheten/maskinen.

ADVARSEL!

Ikke gjør endringer på enheten/maskinen på noen måte. Ikke bruk klippeenhets/maskinen til noe annet arbeid enn det den er beregnet til.

Brennstoffsikkerhet MERK!

- Tøm bensintanken før enheten/maskinen settes bort for lagring. Spesielt viktig er det, hvis lagringen varer mer enn tre måneder, ellers kan brennstoffet ruste som kan skade forgasseren. Det anbefales at brennstoffet tømmes ut etter hver gangs bruk. Hvis brennstoff finnes i tanken, må lagringen gjøres slik at brennstoffet ikke lekker ut.
- Bland og fyll brennstoff utendørs på et sted der det ikke finnes gnister eller flammer.
- Bruk en kanne som er godkjent for brennstoff.
- Ikke røyk eller tillat røyking nær brennstoffet eller enheten/maskinen eller når maskinen er i bruk.
- Tørk opp alt søl av brennstoff før motoren startes.
- Flytt deg minst 3 meter fra stedet der brennstoffet ble fylt på før motoren startes.
- Stopp motoren før brennstoffdekslet fjernes.
- Lagre enheten/maskinen og brennstoffet i et område der brennstoffavdunsting ikke kan nå fram til gnister eller åpen flamme som f.eks. vannvarmere, elektriske motorer og brytere, ovner etc.

ADVARSEL!

Antivibrasjonssystemet garanterer ikke at du vil unngå å få følelseløse fingre eller carpal tunnel-syndromet. Derfor må de som bruker maskinen regelmessig nøye undersøke tilstanden i hender og fingre. Hvis noen av de ovenfor nevnte symptomene skulle oppstå, må det søkes medisinsk hjelp øyeblikkelig.

Klippesikkerhet

- Ikke klipp noe annet materiale enn gress eller busker.
- Kontroller området som skal klippes før hver gangs bruk. Fjern objekter som kan bli kastet eller sammenfiltret.
- Bruk en aerosol beskyttelsesmaske som pustebeskyttelse når gress skal slås etter at det er spredt insektdrepende midler.
- Hold andre, inkludert barn, dyr, tilskuere og hjelpere, utenfor en faresone på 15 m. Stopp maskinen øyeblikkelig hvis noen nærmer seg.
- Hold alltid maskinen på høyre side av kroppen.
- Hold enheten/maskinen godt fast med begge hender.
- Stå støtt og godt balansert. Ikke strekk deg for langt.
- Hold alle deler av kroppen borte fra lyddemperen og klippetilbehøret når motoren går.
- Hold kuttetilbehøret lavere enn beltstedet.

Vedlikeholdssikkerhet

- Vedlikehold enheten/maskinen i henhold til de anbefalte prosedyrene.
- Koble bort tennpluggen før vedlikehold utføres, unntatt for justering av forgasseren.
- Hold andre unna når forgasseren justeres.
- Bruk kun originale reservedeler som er anbefalt av produsenten.

Transport og lagring

- Bær enheten/maskinen i hånden med motoren av og lyddemperen vendt bort fra kroppen.
- Tillat at maskinen avkjøles, tøm brennstoftanken og sikre enheten/maskinen før lagring eller transport i et kjøretøy.
- Tøm bensintanken før enheten/maskinen settes bort for lagring. Det anbefales at brennstoffet tømmes ut etter hver gangs bruk. Hvis brennstoff finnes i tanken, må lagringen gjøres slik at brennstoffet ikke lekker ut.
- Lagre enheten/maskinen utilgjengelig for barn.
- Rengjør enheten nøye og lagre den på et tørt sted.
- Vær sikker på at motoren er av under transport og lagring.
- Under transport i et kjøretøy dekk til bladet med bladbeskyttelsen.

Hvis det skulle oppstå situasjoner som ikke er omtalt i denne bruksanvisningen må man være forsiktig og bruke sunn fornuft. Kontakt HITACHI-forhandleren hvis du trenger hjelp. Vær spesielt oppmerksom på utsagn som er merket med følgende ord:

ADVARSEL!

Betyr at det er mulighet for stor personlig skade eller tap av liv hvis instruksjonene ikke blir fulgt.

FORSIKTIG!

Betyr at det er mulighet for personlig skade eller skade på utstyret hvis instruksjonene ikke blir fulgt.

MERK!

Nyttig informasjon for riktig funksjon og bruk.

FORSIKTIG!

Ikke ta fra hverandre rekylstarteren, du kan bli skadet av rekylstartfjæren.

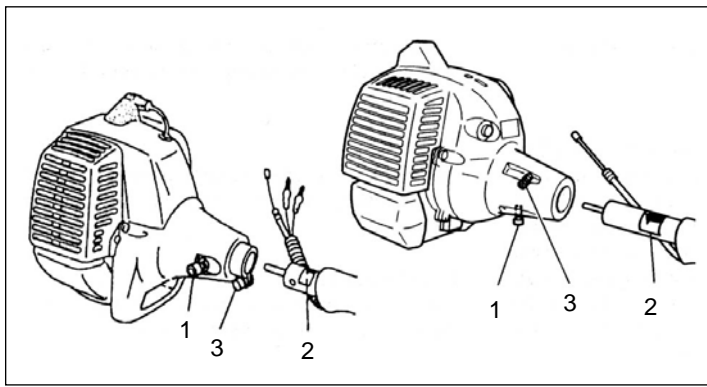


Fig.1-1

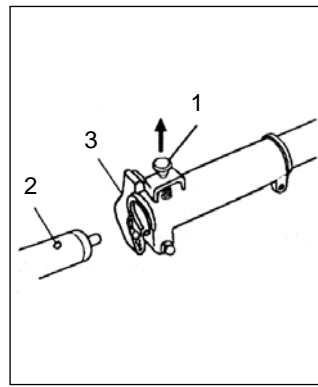


Fig.1-1B

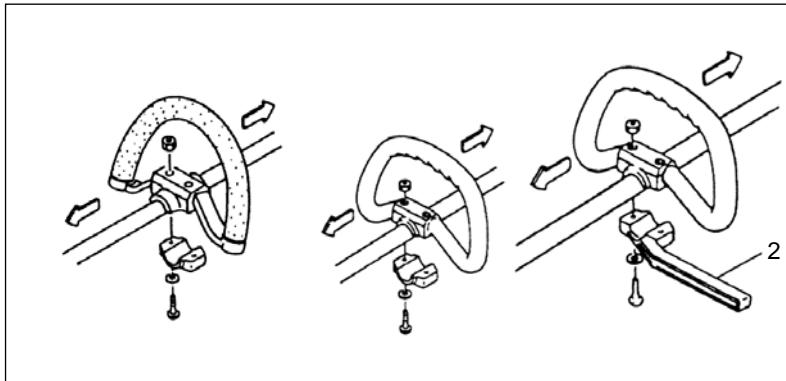


Fig.1-2

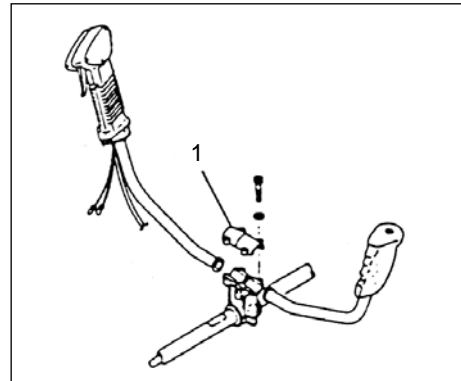


Fig.1-3

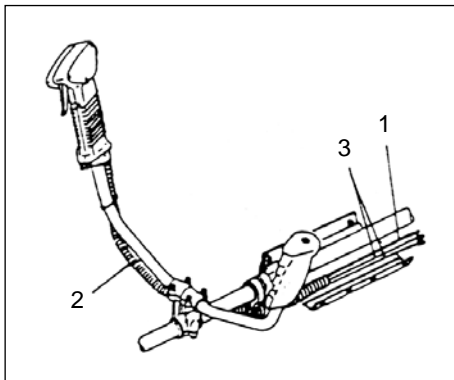


Fig.1-3B

3. Montering

Drivaksel til motoren (Fig. 1-1)

Løsne rørlåsebolten (1) ca. ti omdreininger slik at boltespissen ikke hindrer drivakselrøret i å bli satt inn. Drivakselrøret settes inn ved å holde rørlåsebolten utover for å unngå at innsidenippelen også hindrer innsettingen. Press drivakselen godt inn i motorens koblingsboks til posisjonsmerket (2) på drivakselrøret møter koblingsboksen.

MERK!

Hvis det er vanskelig å presse drivakselen inn til merket posisjon på drivakselrøret, kan drivakselen dreies med eller mot klokka i enden av klippemonteringen. Skru til rørlåsebolten ved å justere mot hullet i akselrøret. Skru deretter klammerbolten godt til (3).

Montering av tilbehør

1. Sett tilbehøret sammen på sin plass
2. Vær sikker på at låsepinnen (1) passer i rørets styrehull (2) og at røret ikke vil komme utenfor. (Fig. 1-1 B)
3. Skru låsemutteren (3) godt til. (Fig. 1-1B)

Installasjon av håndtaket

⚠ ADVARSEL!

Hvis du bruker stål/faste blader på en rette akseltrimmere eller hekklippere må du alltid bruke skrankestang (2) og skuldersele med slygehåndtak. (Fig.1-2)

Fest håndtaket til drivakselrøret med vinkelen mot motoren.

Juster plasseringen til den mest komfortable stillingen før start.

Fjern håndtakfestet (1) fra monteringen. (Fig.1-3)

Plasser håndtakene og fest håndtakfestet lett med fire skruer. Juster til en passende stilling. Deretter settes det godt fast med skruene.

Sett stoppesnoren (3) og gass-ståltråden (1) gjennom beskyttelsesrøret (2), deretter hektes hoftestøtputen av. (Fig. 1-3B)

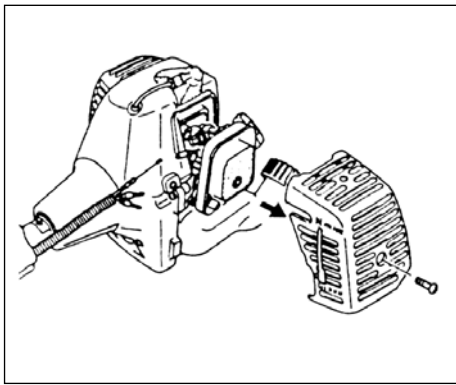


Fig. 1-4

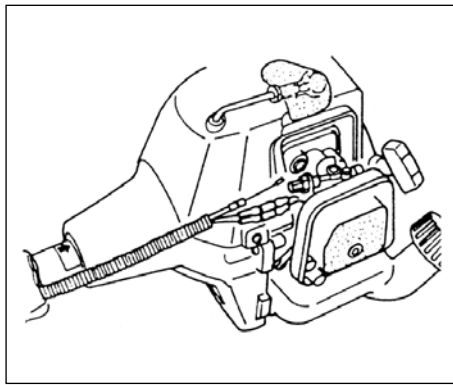


Fig. 1-5

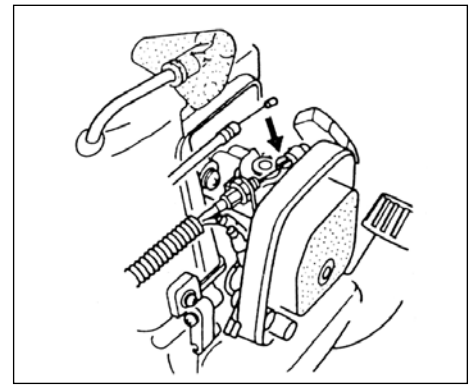


Fig. 1-6

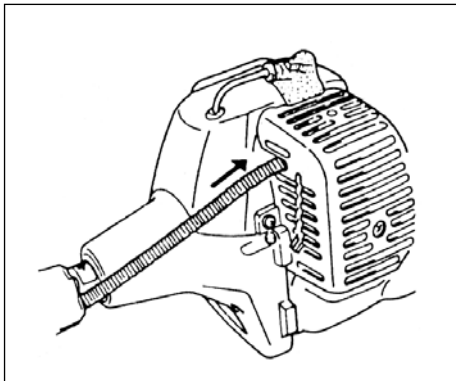


Fig. 1-7

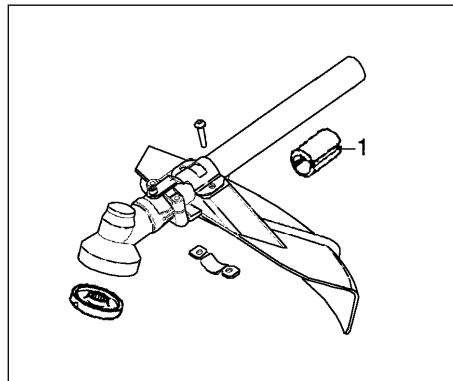


Fig. 1-8

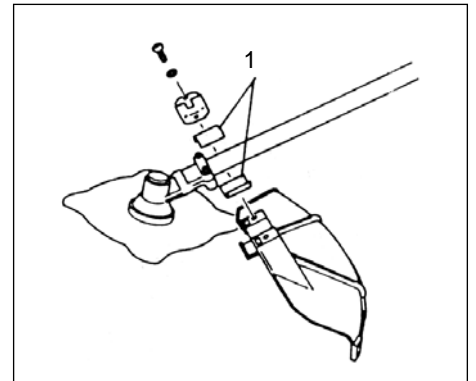


Fig. 1-8B

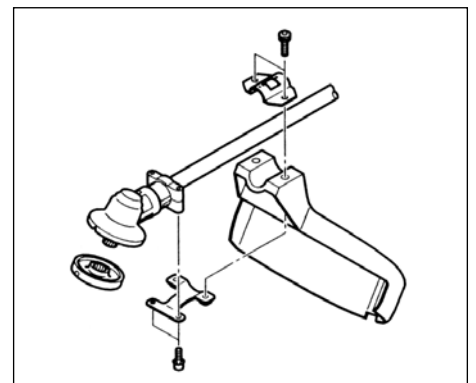


Fig. 1-8E

Gass-ståltråd/stoppesnor

Fjern dekselet på luftfilteret. (Fig. 1-4) Koble til stoppesnoren. (Fig. 1-5)

Koble gasswireenden til forgasseren. (Fig. 1-6).
Dekk til gass-ståltråden og stoppesnoren opp til luftfilterdekselet med det medleverte beskyttelsesrøret. (Fig. 1-7)

Montering av bladbeskyttelse

(Fig. 1-8, 8B)

Monter bladbeskyttelsen og holderens avstandsstykker (1) (hvis utstyrt slik) på drivakselrøret mot vinkeloverføringen. Skru beskyttelseholderen godt til slik at bladbeskyttelsen ikke svinger eller beveger seg nedover under bruk.

Monter bladbeskyttelsen med to beskyttelsesmonteringsskruer til beskyttelseholderen som også holder beskyttelsen fast til giraksen.

FORSIKTIG!

Noen bladbeskyttere er utstyrt med skarpe kantbegrensere. Vær forsiktig med håndteringen av den.

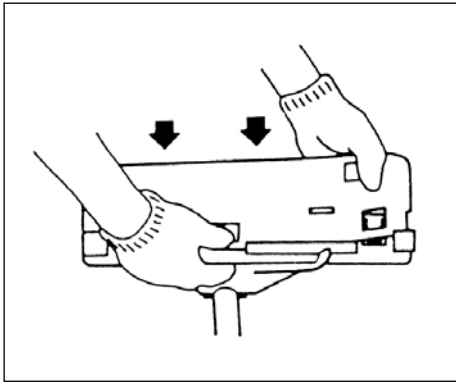


Fig. 1-9

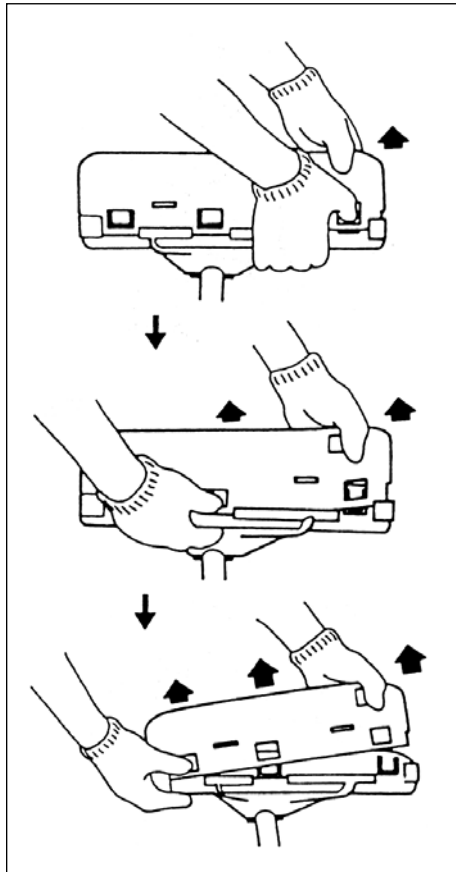


Fig. 1-9C

Hvis det brukes et trimmerhode (2) med en todelt type bladbeskyttelse, festes beskyttelsesutvidelsen til bladbeskyttelsen. (Fig. 1-9)

MERK!

Hvis din enhet har merkelapp for beskyttelses plassering på drivakselrøret følges denne instruksjonen.

MERK!

For å fjerne beskyttelsesutvidelsen vises det til tegninger. Bruk hansker siden utvidelsen har en skarp kantbegrenser, deretter skyves de fire firkantete feltene på beskyttelsen på plass, en etter en. (Fig. 1-9C)

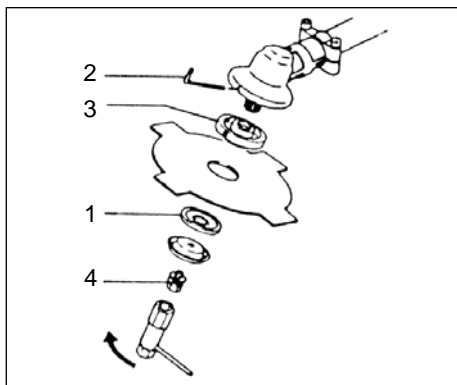


Fig. 1-10

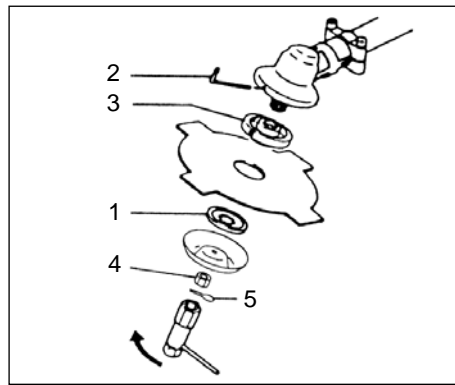


Fig. 1-10B

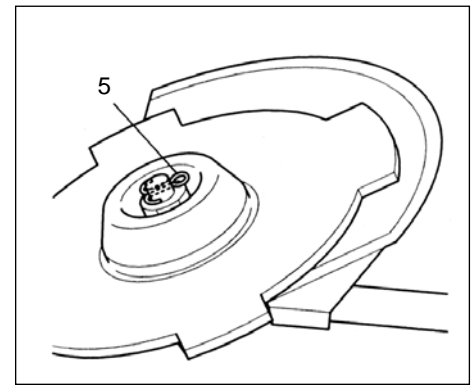


Fig. 1-10C

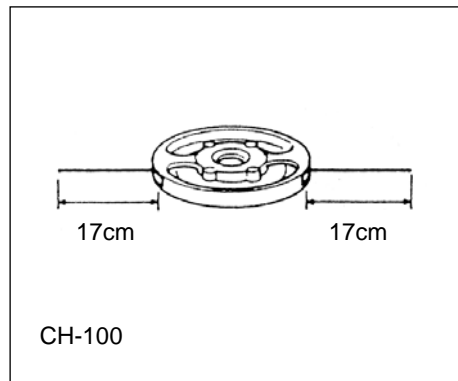


Fig. 1-11

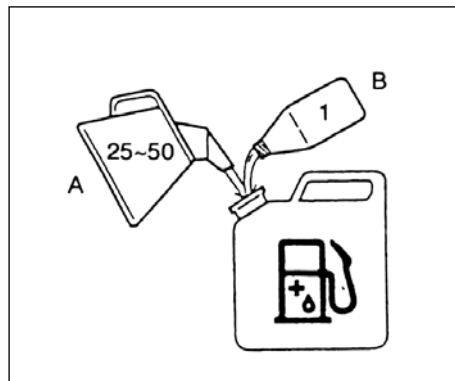


Fig. 2-1

Montering av klippebladet (fig. 1-10, 10B)

(hvis slik utstyrt)

Vær sikker på at klippebladet ikke har sprekker eller annen skade og at klippeplaten er plassert i riktig retning når klippebladet skal monteres.

MERK!

Vær sikker på at den konkave siden er opp når dekelet til klippeholderen (1) monteres. Sett en innvendig sekskantskrunøkkel (2) inn i hullet på vinkeloverføringen for å låse klippeholderen (3). Vennligst merk at klipperens festeskruer eller muttere (4) er venstregjenget, (med klokken for å løsne - mot klokken for å feste). Skru fast festeskruen eller mutteren med en ringnøkkel.

MERK!

Hvis din enhet er av sikkerhetstypen og er utstyrt med en splint, må bladet styres med en ny splint (5) hver gang den installeres. (Fig. 1-10C)

FORSIKTIG!

Vær sikker på at bladet er riktig installert før start.

FORSIKTIG!

Hvis din enhet er utstyrt med beskyttelsesdeksel under et klippeblad, kontroller at det ikke er slitt eller har sprekker før bruk. Hvis det finnes skader eller slitasje, bytt det, da dette er en forbruksartikkel.

Montering av BRAIN® klippehode

MERK!

For montering se i din BRAIN® bruksanvisning levert med ditt BRAIN® klippehode.

⚠ ADVARSEL!

Ved bruk av HITACHI BRAIN hoder eller HITACHI legeringshoder må du kun bruke ikke fleksibel, ikke metallisk line anbefalt av produsenten. Bruk aldri ståltråd eller ståltrådrepp. De kan knekke av og bli farlige prosjektiler.

MERK!

Ved bruk av HITACHI legeringshode (CH-100) skal startlengden på linen være ca 17 cm. (Fig. 1-11)

4. Funksjon

Brennstoff (Fig. 2-1)

⚠ ADVARSEL!

Hekksaksen er utstyrt med en totaktsmotor. Motoren må alltid kjøres på en blanding av bensin og olje. Sørg for god ventilasjon ved fylling og håndtering av brennstoff.

Brennstoff

- Bruk alltid blyfri bensin merket med 89 oktan.
- Bruk ekte totaktsolje eller bruk en blanding på 25:1 til 50:1, vennligst les på oljebeholderen for blandingsforhold eller kontakt en HITACHI-forhandler.
- I staten California kun 50:1.
- Hvis ekte totaktsolje ikke er tilgjengelig, brukes en kvalitet tilsatt antioksidierende middel som uttrykkelig er merket for luftkjølte totaktsmotorer, bruk (JASO FC KVALITET OLJE eller ISO EGC KVALITET OLJE). Bruk ikke BIA eller TCW (2-takts vannavkjølingstype) oljeblandinger.
- Bruk aldri helårsolje (10 W/30) eller spillolje.
- Bland alltid bensin og olje i en separat kanne.

Begynn alltid med å helle halvparten av bensinen som skal blandes inn i en kanne. Fyll deretter på hele mengden olje. Bland (rist) brennstoffblandingen. Fyll på resten av bensinen. Bland (rist) brennstoffblandingen nøye før den fylles over på maskinens bensintank.

Fylling av brennstoff

⚠ ADVARSEL!

- Slå alltid av maskinen før påfylling av brennstoff.
- Åpne tanklokket sakte ved påfylling av brennstoff slik at et eventuelt overtrykk forsvinner.
- Skru tanklokket godt til etter påfylling.
- Flytt alltid enheten minst 3 m (10 ft) bort fra påfyllingsstedet før start.

Før fyllingen må området rundt tanklokket rengjøres nøye for å være sikker på at ikke noe smuss faller inn i tanken. Påse at brennstoffet er godt blandet ved å riste kannen før tanken fylles.

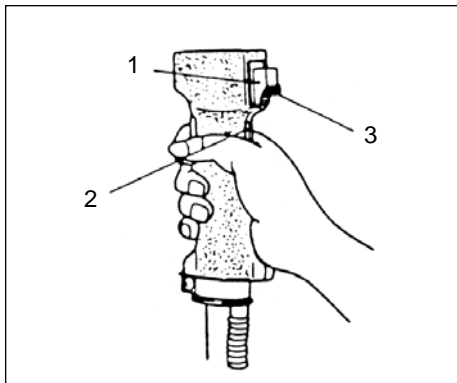


Fig.2-2

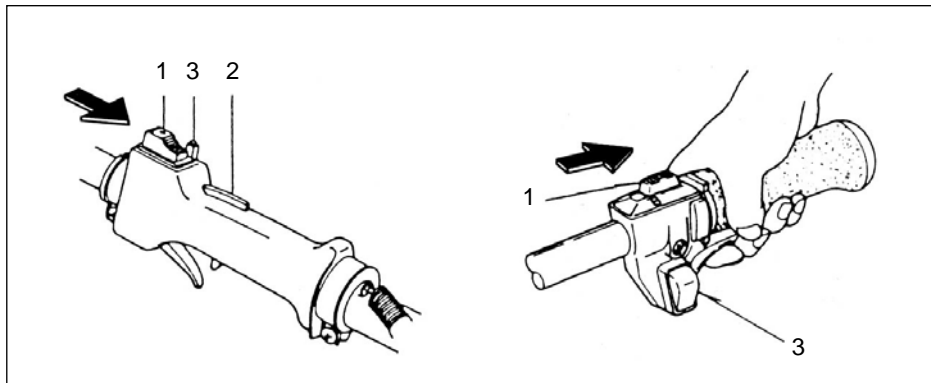


Fig.2-2B

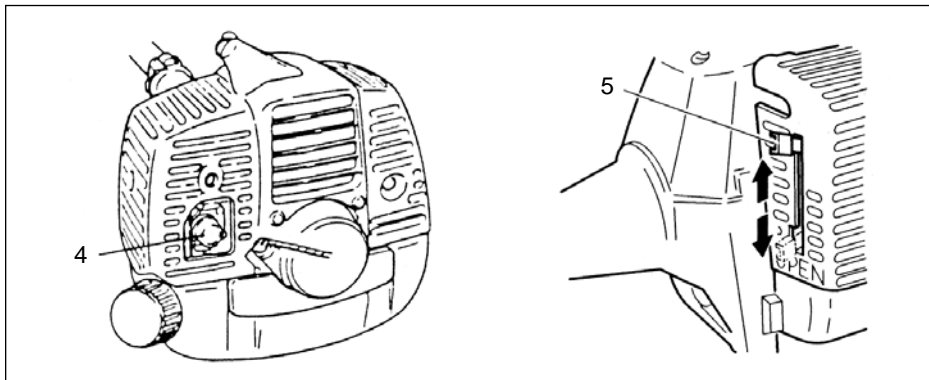


Fig.2-2C

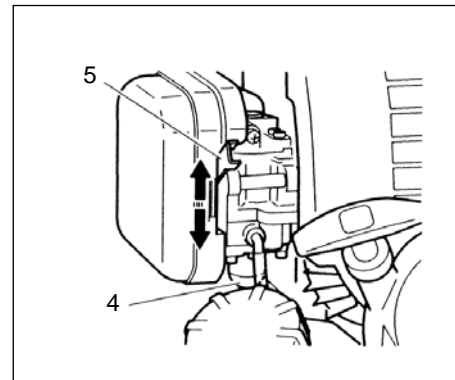


Fig.2-3

Start (Fig. 2-2, 2B)

FORSIKTIG!

Før start påse at klippetilbehøret ikke er i berøring med noe.

1. Sett tenningsbryteren (1) i posisjon ON (PÅ). (Fig. 2-2, 2B)

* Trykk på sugepumpeboblen (4) flere ganger slik at brennstoff flyter gjennom boblen eller returrøret. (Hvis utstyrt slik) (Fig. 2-2C, 3)

2. Med sikkerhetshendelen (2) trykket inn, trekkes det i gasshåndtaket og låseknappen (3) dyttes inn (hvis slik utstyrt), mens først gassen slippes sakte, deretter sikkerhetshendelen. Dette låser gassen i startposisjon.

3. Sett chokehendelen til CLOSED (lukket) posisjon (4) (Fig. 2-2C, 3)

4. Trekk raskt i rekylstarteren, mens man passer på å holde et grep om håndtaket og ikke tillater det å slå tilbake.

5. Når du hører at motoren ønsker å starte returneres chokehendelen til posisjon RUN (KJØR) (åpen). Trekk så raskt i rekylstarteren igjen.

MERK!

Hvis motoren ikke starter gjentas punktene 2 til 5.

6. La motoren få 2-3 minutter oppvarming etter at motoren har startet før den utsettes for belastning.



Fig. 2-4

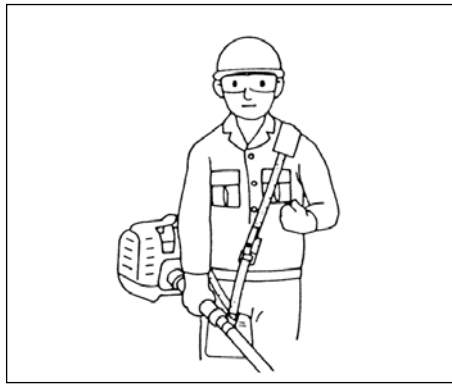


Fig. 2-4B

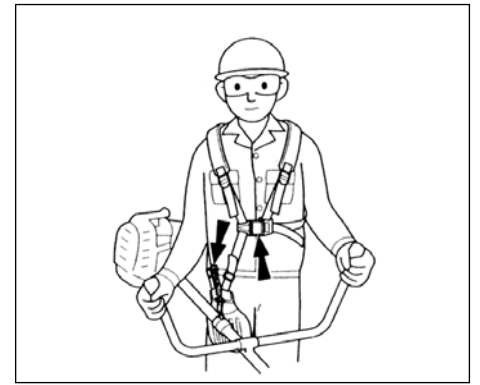


Fig. 2-4C

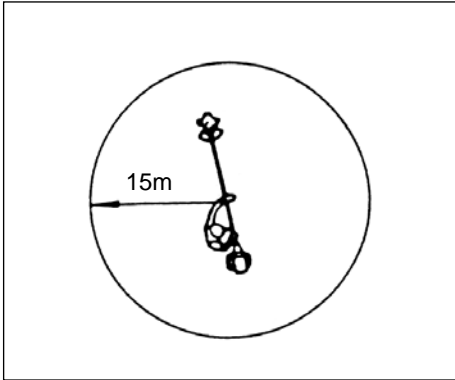


Fig. 2-4D

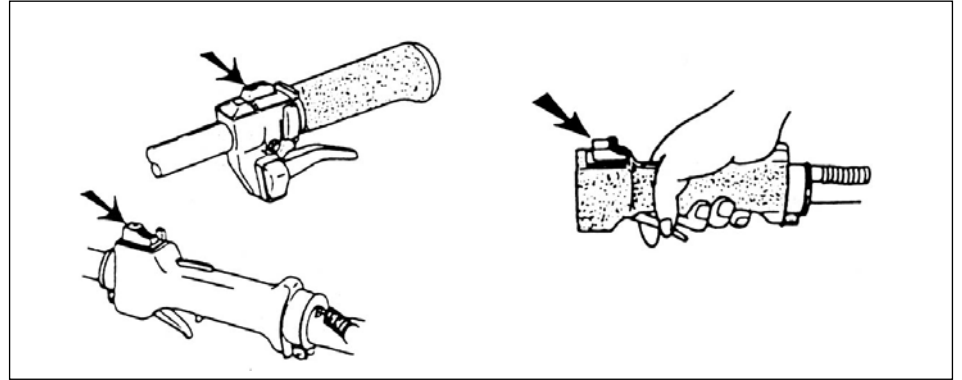


Fig. 2-5

Klipping (Fig. 2-4, 4B, 4C, 4D)

- Under klipping kjøres motoren med et turtall over 6500. Lengre tids bruk ved lavt turtall kan slite ut clutchen for fort.
- Klipp gress fra høyre mot venstre.
- Støt mot bladet kan skje når det roterende bladet kommer i kontakt med faste objekter i det kritiske området. En farlig reaksjon kan oppstå som forårsaker at hele enheten og operatøren kan få et voldsomt slag. Denne reaksjonen heter BLADE THRUST (slag mot bladet). Et resultat av dette kan være at operatøren mister kontroll over enheten, som kan føre til alvorlig eller dødelig skade. Slag mot bladet skjer mest sannsynlig i områder der det er vanskelig å se materialet som klippes.
- Bruk selen som vist i figuren (hvis slik utstyrt). Bladet går mot klokken, derfor er det tilrådelig å bruke enheten fra høyre mot venstre for å være effektiv. Hold tilskuere borte fra arbeidsområdet, minst 15 m (50 ft.).

MERK!

Trykk på hurtigløserknappen eller tekk i nødutløserklaffen (hvis slik utstyrt) i tilfelle en nødsituasjon. (Fig. 2-4C)

⚠ ADVARSEL!

Hvis klippeutstyret skulle treffe steiner eller annet materiale må motoren stoppes og det må sikres at tilbehøret og tilhørende deler er uskadet. Hvis gress og kvister omslutter tilbehøret, må motoren og tilbehøret stoppes og alt må fjernes.

Stoppe (Fig. 2-5)

- Senk motorhastigheten og kjøør den på tomgang i noen minutter, deretter settes tenningsbryteren i av-posisjon.

⚠ ADVARSEL!

Klippetilbehøret kan gi skade fordi det fortsetter å rotere etter at motoren er stoppet eller etter at effektkontrollen er avslått. Vær sikker på av klippetilbehøret har stoppet før enheten settes ned etter at enheten er avslått.

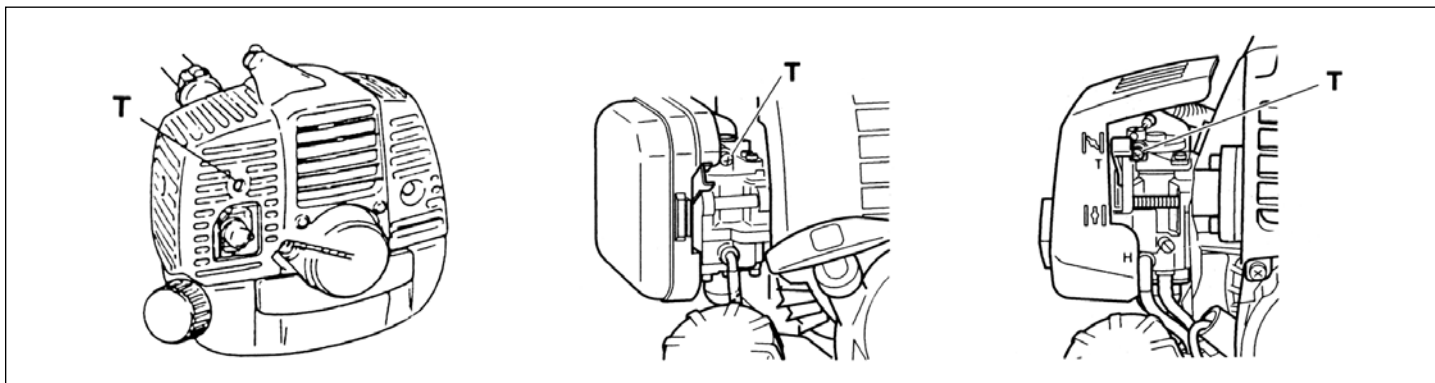


Fig.3-1

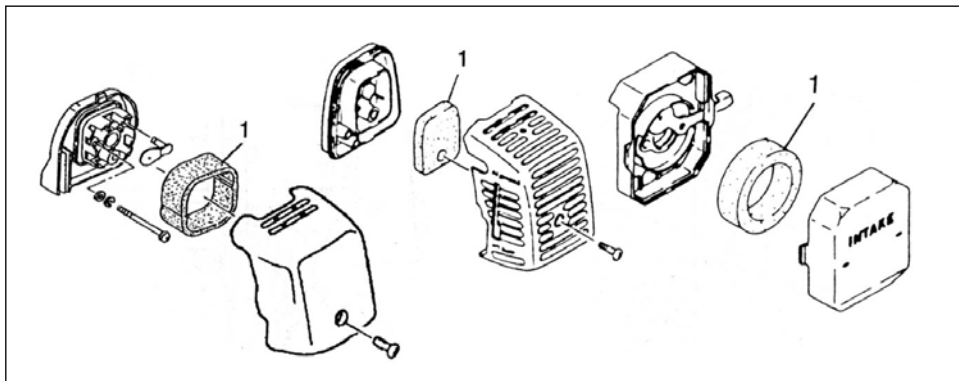


Fig.3-2

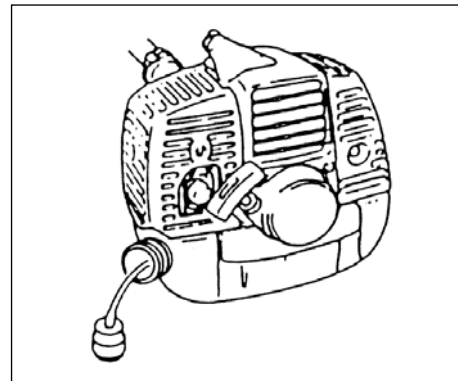


Fig. 3-2B

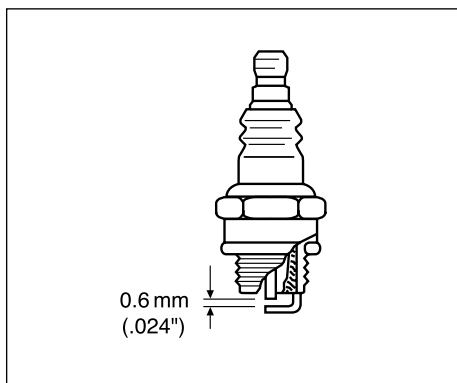


Fig. 3-3

5. Vedlikehold

VEDLIKEHOLD. BYTTE AV DELER ELLER REPARASJON AV AVGASSKONTROLLANORDNINGER OG SYSTEM KAN UTFØRES AV ETHVERT MOTORREPARASJONSVERKSTED ELLER PRIVATPERSON.

Justering av forgasseren (Fig. 3-1)

⚠ ADVARSEL!
Klippetilbehøret kan bevege seg under justering av forgasseren.

⚠ ADVARSEL!
Aldri start motoren uten fullstendig koblingsdeksel og montert rør! Ellers kan clutchen løsne og forårsake personskade. I forgasseren blandes brennstoff med luft. Når motoren ble testkjørt i fabrikken ble forgasseren justert. Ytterligere justering kan være nødvendig avhengig av klima og høyde over havet. Forgasseren har en justeringsmulighet:
T= skruer for tomgangshastighet.

Justering av hvilehastighet (T)

Kontroller at oljefilteret er rent. Hvis hvilehastigheten er riktig vil klippetilbehøret ikke rotere. Hvis justering er nødvendig skrues T-skruen igjen (med klokken), mens motoren går, til klippetilbehøret starter å rotere. Åpne skruen (mot klokken) inntil klippetilbehøret stopper. Du har oppnådd riktig hvilehastighet når motoren går jevnt i alle posisjoner godt under omdreiningstallet som

starter klippetilbehørets rotasjon. Hvis klippetilbehøret fremdeles roterer etter at hvilehastigheten er justert, kontakter du forhandlerens serviceverksted.

MERK!
Standard tomgangsturtall er 2500-3000.

⚠ ADVARSEL!
Når motoren går på tomgang må klippetilbehøret ikke under noen omstendighet rotere.

MERK!
Noen modeller som selges i områder med strenge utslipsreguleringer har ikke høy og lav hastighetsjustering på forgasseren. Slik justering kan føre til at motoren brukes utenfor utslipsgrensene som er tillatt. For disse modellene er hvilehastigheten eneste forgasserjustering.

For modeller som er utstyrt med lav og høy hastighetsjustering er forgasseren innstilt fra fabrikken. Mindre justeringer basert på klima, høyde over havet etc. kan optimalisere ytelsen. Skru aldri justeringsskruene i trinn på mer enn 90 grader da motorskader kan føre til uriktig innstilling. Hvis du ikke er fortrolig med denne type justering – søk hjelp hos din HITACHI forhandler.

Luftfilter (fig. 3-2)

Luftfilteret må renses for støv og smuss for å unngå:

- Feilfunksjon i forgasseren
- Startproblemer.
- Reduksjon av motoreffekten.
- Unødvendig slitasje på motordeler.
- Unormalt brennstofforbruk.

Rens luftfilteret daglig eller oftere hvis arbeid utføres i spesielt støvete områder.

Rengjøring av luftfilter

Fjern luftfilterdekslet og filteret (1). Skyll det i varmt såpevann. Kontroller at filteret er tørt før det monteres igjen. Et luftfilter som er brukt en tid kan ikke fullstendig rengjøres. Derfor må det regelmessig erstattes av et nytt. Et ødelagt luftfilter må alltid erstattes.

Brennstoff-filter (fig. 3-2B)

Tøm ut alt brennstoff fra tanken og dra brennstofffilterlinen ut av tanken. Dra filterelementet ut av monteringsholderen og rens elementet i varmt vann med løsemiddel. Rens nøye til alle spor av løsemiddel er eliminert. Press, ikke vri, bort overskudd av vann og la elementet tørke i luften.

MERK!

Hvis filteret er hardt på grunn av støv og smuss, bytt det.

Tennplugg (Fig. 3-3)

Tilstanden i tennpluggen er påvirket av:

- Feil forgasserinnstilling.
 - Feil brennstoffblanding (for mye olje i bensinen)
 - Et tilsmusset luftfilter.
 - Harde kjørebetingelser (som kaldt vær).
- Disse faktorene gir avleiringer på elektrodene i tennpluggen som kan resultere i feilfunksjon og startvanskeligheter. Hvis motoren gir lite effekt, er vanskelig å starte eller er vanskelig å holde på hvilehastigheten, skal tennpluggen kontrolleres først. Hvis tennpluggen er tilsmusset, rens den og kontroller elektrodeavstanden. Juster den igjen hvis nødvendig. Den riktige avstanden er 0,6 mm (.024") Tennpluggen bør erstattes etter omkring 100 arbeidstimer eller tidligere hvis elektrodene er slitte.

MERK!

Noen steder er det lover som krever at en motstandstennplugg blir benyttet for å undertrykke tenningsignaler. Hvis denne maskinen var utstyrt med motstandstennplugg, bruk den samme tennpluggen ved bytte.

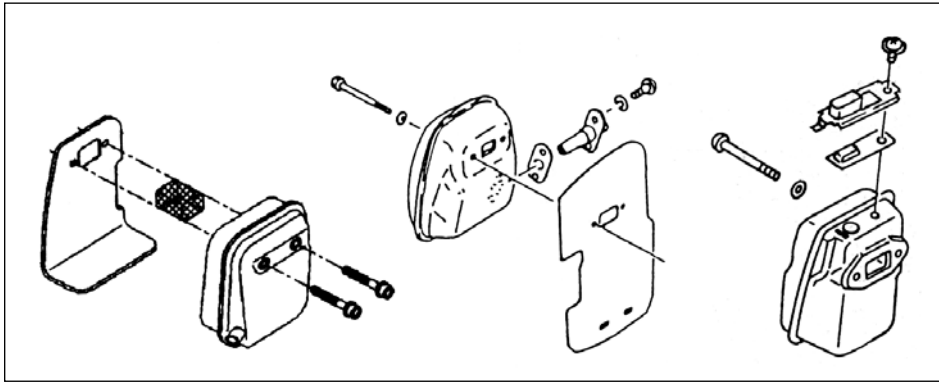


Fig.3-4

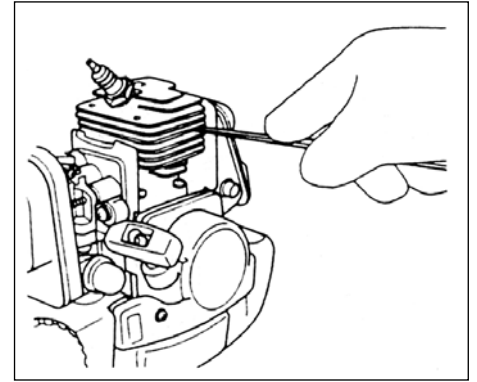


Fig.3-4B

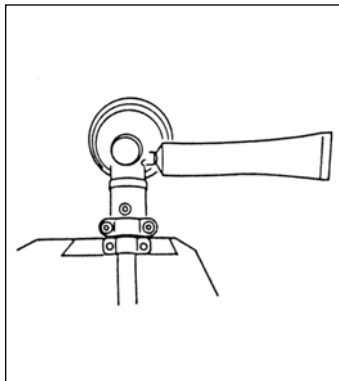


Fig. 3-5

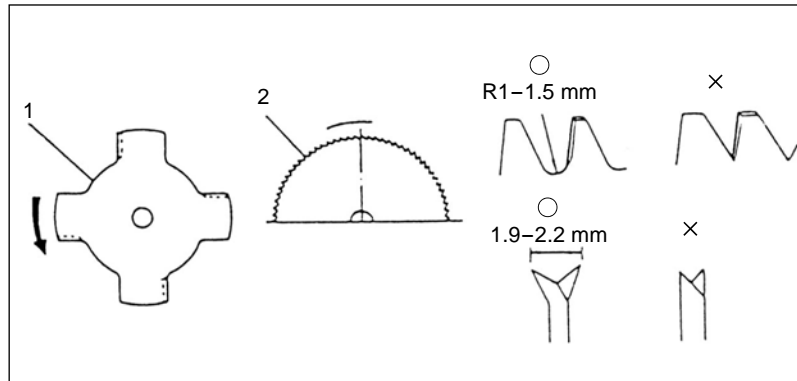


Fig. 3-6

Lyddemper (fig. 3-4)

Fjern lyddemperen og rens bort alt kulloverskudd fra utblåsningsutgangen og lyddemperinngangen hver 100. brukstimer.

Sylinder (motorkjøling) (fig. 3-4B)

Motoren er luftkjølt og luft må sirkulere fritt rundt motoren og over kjølefinnene på sylinderhodet for å hindre overoppheting.

For hver 100. brukstimer eller hvert år (oftere hvis betingelsene krever det), rengjøres finnene og utvendig overflate for støv, smuss og oljerester som kan bidra til dårligere kjøling.

MERK!

Ikke bruk motoren med avmontert dekkplate eller lyddemperbeskyttelse da dette vil resultere i overoppheting og skade på motoren.

Vinkeloverføring (fig. 3-5)

Kontroller fettnivået i vinkeloverføringen og vinkelgiret for hver 50. brukstimer ved å fjerne fettpåfyllingspluggen på siden av vinkeloverføringen.

Hvis ikke noe fett er synlig på kanten av giret: Fyll overføringen med kvalitets litumbasert fett opp til _ full. Ikke fyll overføringen fullstendig.

Blad (fig. 3-6)

⚠ ADVARSEL!

Bruk beskyttelseshansker når bladet skal håndteres eller vedlikehold skal utføres.

- Bruk et skarpt blad. Et sløvt blad har en tendens til å bli hengende fast og gi slag. Erstatt festemutteren hvis den er skadet og vanskelig å skru til.
- Når bladet skal erstattes kjøp et som er anbefalt av HITACHI med et 25,4 mm (en tomme) festehull.
- Bladet (2) skal alltid monteres med stemplet side opp. I tilfelle et 4 tenners blad (1), kan dette brukes på begge sider.
- Bruk riktig blad avhengig av type arbeid.
- Når blad skal byttes må passende verktøy benyttes.
- Når klippekanten blir sløv kan den slipes som vist på figuren. Uriktig sliping kan forårsake øket vibrasjon.
- Kast blader som er bøyd, skjeve, sprukne, splintrete eller skadet på annen måte.

MERK!

Når bladene slipes er det viktig å opprettholde den originale formradiusen nederst ved tennene for å unngå sprekkdannelse.

Vedlikeholdsplan

Nedenfor finner du noen generelle vedlikeholdsinstruksjoner: For mer informasjon vennligst ta kontakt med din forhandlers serviceverksted.

Daglig vedlikehold

- Rengjør Enhet utvendig.
- Kontroller at selen er uskadet.
- Kontroller bladbeskyttelsen for skader og sprekker. Erstatt beskyttelsen hvis det er bulker eller sprekker. Kontroller at bladet er skarpt og uten sprekker.
- Kontroller at klippetilbehøret er riktig sentrert, skarpt og uten sprekker. Et klippetilbehør som er ute av senter lager store vibrasjoner som kan ødelegge enheten.
- Kontroller at bladtilbehøret er tilstrekkelig tilskrudd.
- Vær sikker på at bladtransportbeskyttelsen er uskadet og at den kan festes sikkert.
- Kontroller at muttere og skruer er tilstrekkelig tilskrudd.

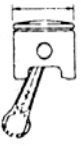





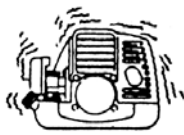

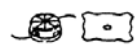
Ukentlig vedlikehold

- Kontroller starteren, spesielt snor og retur fjær.
- Rengjør tennpluggen utvendig.
- Fjern den og kontroller elektrodeavstanden. Juster den til 0,6 mm eller bytt tennpluggen.
- Rengjør kjølefinnene på sylinderen og kontroller at luftinntaket ved starteren ikke er tett.
- Kontroller at vinkelgiret er 3/4 fylt med fett.
- Kontroller at giraksen er fylt med smørefett.

Månedlig vedlikehold





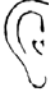

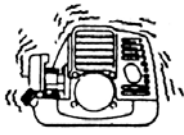
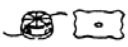

- Spyl brennstofftanken med bensin.
- Rengjør forgasseren utvendig og området rundt den.
- Rengjør viften og området rundt den.

6. Tekniske data

	MODEL CG25EJ (L)/CG25EJ (SL) CG25EJ /CG25EJ (S) CG25EJ (SLD)	CG28EJ (L)/CG28EJ (SL) CG28EJ
		
Motorstørrelse (ml)	24 (1.46 cu. in.)	28 (1.71 cu. in.)
		
Tennplugg	CHAMPION CJ8 eller NGK BMR6A eller tilsvarende	CHAMPION CJ6Y eller RCJ6Y eller tilsvarende
		
Brennstofftankstørrelse (l).....	0.50 (16.9 fl. oz)	0.70 (23.6 fl. oz)
		
Vekt uten brennstoff og olje(kg)		
	CG25EJ (L)..... 4.4 (9.7 lbs)	CG28EJ (L).....5.4 (11.9 lbs)
	CG25EJ (SL).....4.56 (10.1 lbs)	CG28EJ (SL).....5.56 (12.3 lbs)
	CG25EJ.....4.6 (10.1 lbs)	CG28EJ.....5.6 (12.3 lbs)
	CG25EJ (S).....4.76 (10.5 lbs)	
	CG25EJ (SLD)..... 5.6 (12.3 lbs)	
		
Lydtrykknivå (dB(A))..... LpA		
(EN 27917)	CG25EJ (L)/CG25EJ (SL)....96.8	CG28EJ (L)/CG28EJ (SL)....95.0
	CG25EJ /CG25EJ (S).....100.6	CG28EJ.....95.5
	CG25EJ (SLD).....96.8	
		
Lydeffektnivå (dB(A))	LwA	
	112	116
		
Vibrasjonsnivå (m/s ²)(ISO 7916)		
	 CG25EJ (SDL)	
Fremre håndtak	3.0 3.2 4.4	2.6 4.1
Bakre håndtak	4.4 4.8 5.0	3.5 5.6
Venstre håndtak.....	3.3 3.6	2.4 2.5
Høyre håndtak.....	2.7 3.7	1.9 2.0

MERK : Gjeldende støynivå/vibrasjonsnivå er utregnet som tidsvektet total energi for støy/vibrasjonsnivåer under varierte arbeidsbetingelser med følgende tidsdistribusjon: 1/2 hvile, 1/2 bruk.

*Alle data kan endres uten forutgående varsel.

	MODEL	CG33EJ (L) CG33EJ /CG33EJ (S)	CG27EJ (SL)/CG27EJ (S) CG27EJ (SLD)
			
Motorstørrelse (ml)		33 (2.00 cu. in.)	27 (1.65 cu. in.)
			
Tennplugg	CHAMPION CJ6Y eller RCJ6Y eller tilsvarende		CHAMPION RCJ8Y eller tilsvarende
			
Brennstofftankstørrelse (l).....		0.70 (23.6 fl. oz)	0.67 (22.8 fl. oz)
			
Vekt uten brennstoff og olje(kg).....	CG33EJ (L)5.5 (12.1 lbs) CG33EJ5.7 (12.5 lbs) CG33EJ (S)5.86 (12.9 lbs)		CG27EJ (SL)5.5 (12.12 lbs) CG27EJ (S)6.0 (13.22 lbs) CG27EJ (SLD)5.7 (12.56 lbs)
			
Lydtrykknivå (dB(A))..... (EN 27917)	LpA CG33EJ (L)94.5 CG33EJ /CG33EJ (S)94.5		CG27EJ (SL)97.5 CG27EJ (S)98.3 CG27EJ (SLD)97.5
			
Lydeffektnivå (dB(A))	LwA 116		116
			
Vibrasjonsnivå (m/s ²)(ISO 7916)			CG27EJ (SLD) 
Fremre håndtak	5.4 5.2		5.8 2.1 5.7
Bakre håndtak	3.7 7.1		3.2 4.5 3.1
Venstre håndtak.....	1.8 2.1		4.6 2.3
Høyre håndtak.....	2.5 2.9		3.4 2.0

MERK : Gjeldende støynivå/vibrasjonsnivå er utregnet som tidsvektet total energi for støy/vibrasjonsnivåer under varierte arbeidsbetingelser med følgende tidsdistribusjon: 1/2 hvile, 1/2 bruk.

*Alle data kan endres uten forutgående varsel.

HITACHI

CG25EJ/CG25EJ (L)/CG25EJ (SL)

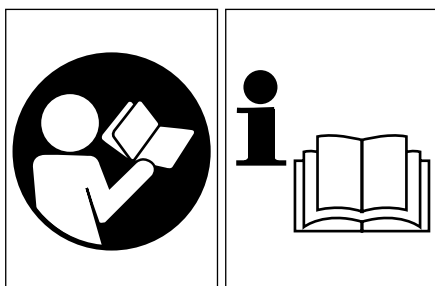
CG25EJ (S)/CG25EJ (SDL)

CG27EJ (S)/CG27EJ (SL)/CG27EJ (SLD)

CG28EJ/CG28EJ (L)/CG28EJ (SL)

CG33EJ/CG33EJ (L)/CG33EJ (S)

F
I



Lue ohjekirja huolellisesti ennen
koneen käyttämistä.

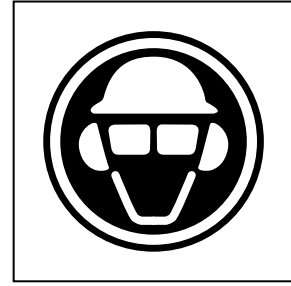
Omistajan opas

Symbolien tai tarrojen merkitys. (HUOM! Niitä ei ole joissakin laitteissa)



VAROITUS

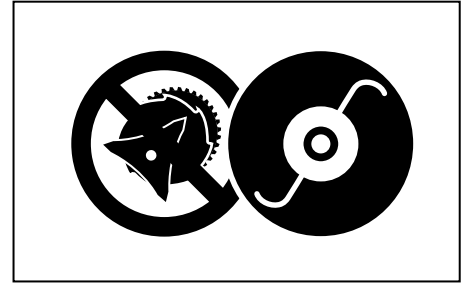
Tuotteen moottorin pakokaasut sisältävät kemikaaleja, jotka Kalifornian osavaltion viranomaisten mukaan aiheuttavat syöpää, vahingoittavat sikiötä tai muuten lisääntymistä.



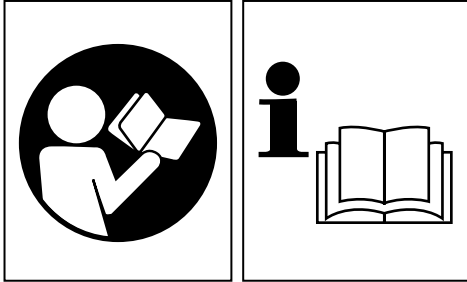
Käytä silmänsuojaimia, kypärää ja kuulonsuojaimia, kun käytät laitetta.



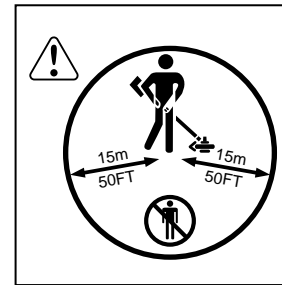
Lue ja ymmärrä oppaan ja laitteen kaikki varoituksen sekä ohjeet ja nouda niitä.



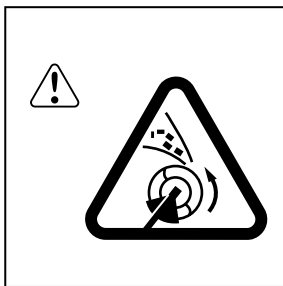
Älä käytä metalliteriä/jäykkiä teriä, kun laitteessa on tämä kilpi.



Lue turvallisuusohjeet ja varoitukset huolellisesti, ymmärrä ne ja nouda niitä. Varomaton tai virheellinen käyttö voi vammauttaa vakavasti tai johtaa kuolemaan.



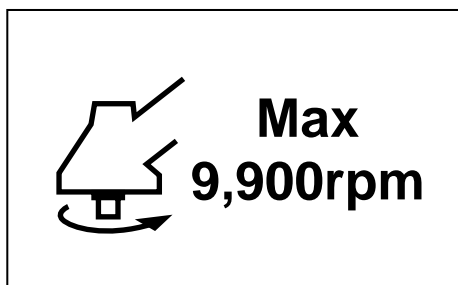
Pidä lapset, sivulliset ja avustajat 15 m etäisyydellä laitteesta. Jos joku lähestyy, sammuta moottori ja pysäytä leikkuulaite välittömästi.



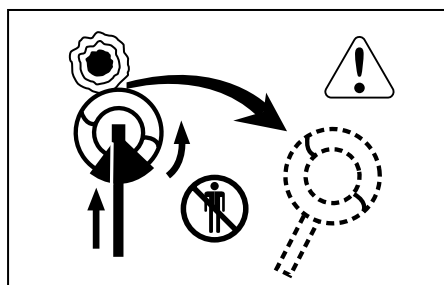
Varo sinkoilevia



Käytä luistamattomia ja vankkoja



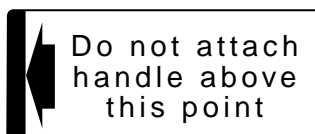
Näytä akselin enimmäisnopeus. Älä käytä leikkuulaitetta, jonka enimmäisnopeus on alle akselin nopeuden.



Terän heitto mahdollinen myös pyörivän terän osuessa kiinteään kohteeseen, joka on kriittisellä alueella. Koko laite ja käyttäjä voivat lennähtää äkkinäisesti ja vaarallisen nopeasti. Ilmiöt on nimeltään TERÄN HETTO. Käyttäjä voi menettää koneen hallinnan, mistä voi seurata vakava vamma tai kuolema. Terän heitto on todennäköisempi paikoissa, joissa leikattavaa materiaalia ei näe hyvin.



Käytä käsineitä tarvittaessa, esimerkiksi kiinnitettäessä leikkuulaitetta.



Ilmaisee kädensijan paikan. Älä kiinnitä kädensijaa tätä ylemmäksi.

Ennen uuden laitteen käyttämistä

- Lue omistaja opas huolellisesti.
- Tarkasta, että leikkuulaite on koottu ja säädetty oikein.
- Käynnistä laite ja tarkasta kaasuttimen säätö. Katso "Huolto".

Vaatimustenmukaisuusilmoitus

Me, Nikko Tanaka Engineering Co., Ltd., 3-4-29 Tsudanuma, Narashino,
Chiba, Japan

Lilmoitamme yksinomaisella vastuullamme, että tuote pensasleikkuri malli

CG25EJ/CG25EJ (L)/CG25EJ (SL)
CG25EJ (S)/CG25EJ (SDL)
CG27EJ (S)/CG27EJ (SL)/CG27EJ (SLD)
CG28EJ/CG28EJ (L)/CG28EJ (SL)
CG33EJ/CG33EJ (L)/CG33EJ (S)

jota tämä ilmoitus koskee, täyttää direktiivien tärkeät turvallisuusvaatimukset.

98/37/EC, 89/336/EEC, 2000/14/EC

Seuraavat standardit on huomioitu
ISO 7112/7113/7916/7917/7918/8380/11682
(EN ISO 12100-1/2, EN ISO 11806)

Valmistettu : Chiba, Japan

Allekirjoitus:



Serial No. up from

E570001

Yoshio Osada

Asema:

johtaja

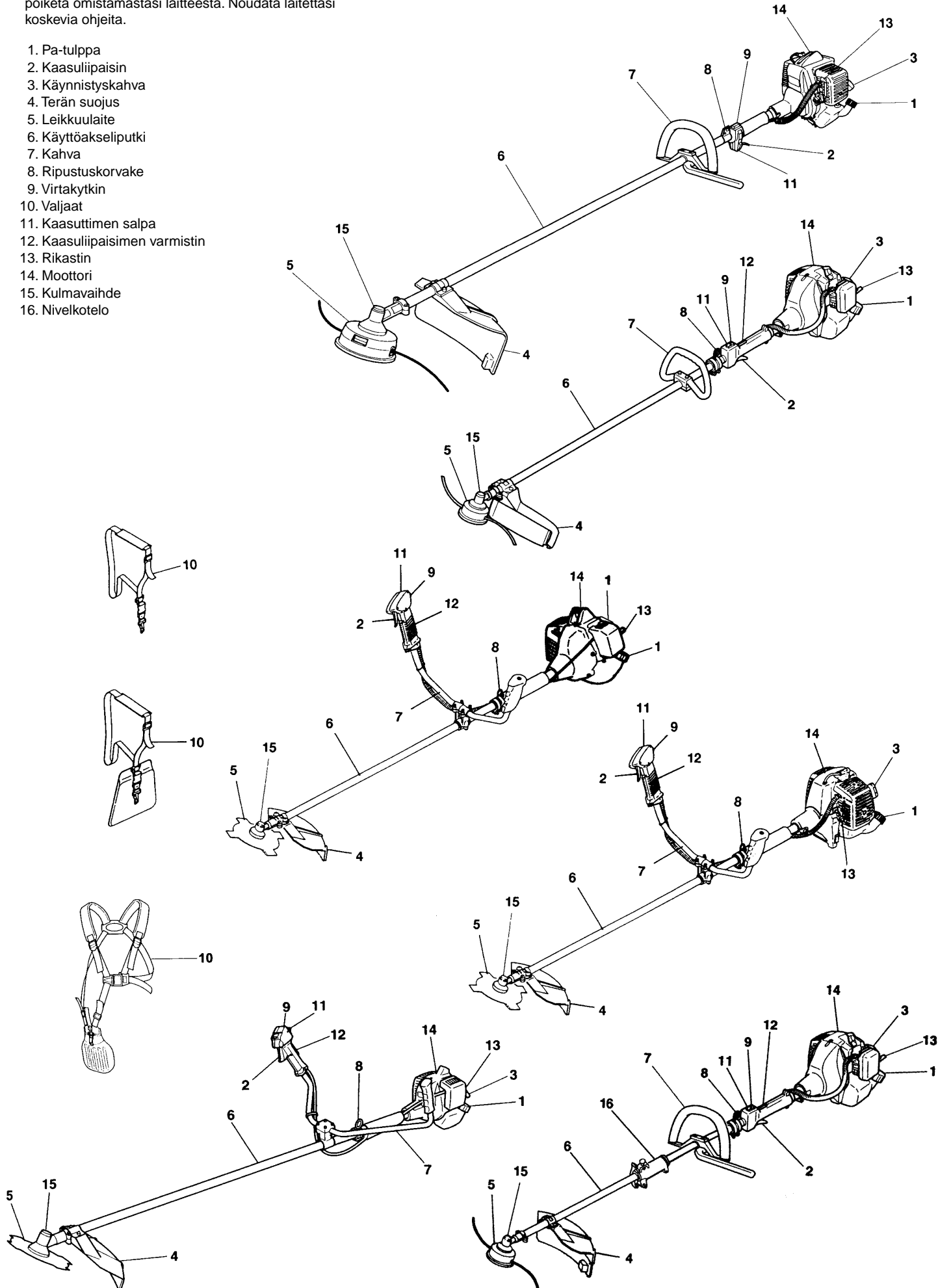
Hakemisto

Mikä on mitä? _____	5
Varoitukset ja turvallisuusohjeet _____	6
Kokoaminen _____	7
Laitteen käyttö _____	10
Huolto _____	13
Tekniset tiedot _____	15

1. Mikä on mitä?

Koska opas koskee useita malleja, kuvat voivat poiketa omistamastasi laitteesta. Noudata laitettasi koskevia ohjeita.

1. Pa-tulppa
2. Kaasuliipaisin
3. Käynnistyskahva
4. Terän suojus
5. Leikkuulaite
6. Käyttöakseliputki
7. Kahva
8. Ripustuskorvake
9. Virtakytkin
10. Valjaat
11. Kaasuttimen salpa
12. Kaasuliipaisimen varmistin
13. Rikastin
14. Moottori
15. Kulmavaihde
16. Nivelkotelo



FI

2. Varoitukset ja turvallisuusohjeet

Käyttäjän turvallisuus

- Käytä aina kasvonsuojusta tai suojalaseja.
- Käytä paksusta kankaasta valmistettuja pitkälahkeisia housuja, saappaita ja käsineitä. Älä käytä löysiä vaatteita, koruja, shortseja tai sandaaleita, äläkä kulje paljain jaloin. Kiinnitä hiukset niin, että ne jäävät hartioiden yläpuolelle.
- Älä käytä laitetta väsyneenä, sairaana, alkoholin, huumeiden tai lääkkeiden vaikutuksen alaisena.
- Älä anna lasten tai kokemattomien henkilöiden käyttää konetta.
- Käytä kuulonsuojaimia.
- Älä käynnistä tai käytä moottoria suljetussa tilassa. Pakokaasut voivat olla hengenvaarallisia.
- Pidä kahvat puhtaana öljystä ja polttoaineesta.
- Älä tartu leikkuulaitteeseen tai pidä kiinni siitä.
- Pidä kädet poissa leikkuulaitteesta.
- Kun pysäytät laitteen, tarkasta ennen sen maahan laskemista, että leikkuulaite on pysähtynyt.
- Kun työskentelet pitkään, pidä silloin tällöin taukoja, jotta välttäisit tärinästä johtuvan valkosormisuuden.

Laitteen/koneen turvallisuus

- Tarkasta koko laite/kone aina ennen käyttöä. Vaihda vaurioituneet osat. Tarkasta mahdolliset polttoainevuodot, ja varmista, että kaikki kiinnittimet ovat paikallaan ja varmasti kiinni.
- Vaihda halkeilleet, lohkeilleet tai muuten vaurioituneet osat ennen koneen käyttöä.
- Varmista, että suojus on kiinnitetty oikein.
- Pidä muut poissa, kun säädät kaasutinta
- Käytä vain lisävarusteita, joita valmistaja suosittelee tähän laitteeseen/koneeseen.

VAROITUS!

Älä muuta laitetta/konetta millään tavoin. Käytä leikkuulaitetta/konetta vain sille suunniteltuun tarkoitukseen.

Polttoaineen turvallinen käsittely HUOM!

- Tyhjennä polttoainesäiliö ennen koneen varastointia. Tämä on erityisen tärkeää, jos kone on yli kolme kuukautta käyttämättä, koska polttoaine voi muuten vaurioittaa kaasutinta. Polttoaine kannattaa tyhjentää jokaisen käyttökerran jälkeen. Jos säiliöön jää polttoainetta, säilytä kone niin, että polttoainetta ei vuoda.
- Sekoita ja kaada polttoaine ulkona paikassa, jossa ei ole kipinöitä tai avotulta.
- Käytä polttoainetta varten hyväksyttyä astiaa.
- Älä tupakoi tai salli tupakointia lähellä polttoainetta tai laitetta/konetta tai käyttäessäsi laitetta/konetta.
- Pyyhi kaikki roiskunut polttoaine ennen moottorin käynnistämistä.
- Siirry vähintään kolmen metrin päähän tankkauspaikasta ennen moottorin käynnistämistä.
- Sammuta moottori ennen polttoainesäiliön korkin irrottamista.
- Säilytä laite/kone ja polttoaine tilassa, jossa polttoainehöyryt eivät saavuta vedenlämmittimen, sähkömoottorin tai muiden sähkölaitteiden kipinöitä tai liekkejä.

VAROITUS!

Tärinänestojärjestelmät eivät estä valkosormisuutta tai karpaalitunnelisyyttä. Konetta jatkuvasti ja säännöllisesti käyttävien on siksi tarkkailtava huolellisesti käsiensä ja sormiensa tilaa. Jos havaitset edellä lueteltuja oireita, ota viipymättä yhteys lääkäriin.

Turvallinen leikkaaminen

- Älä leikkaa muuta materiaalia kuin pensasta tai ruohoa.
- Tarkasta leikattava alue aina ennen käyttöä. Poista esineet, jotka voivat sinkoilla tai tarttua teriin.
- Käytä aerosoleilta suojaavaa naamaria, kun leikkaat ruuhona torjunta-ainekäsittelyn jälkeen.
- Pidä lapset, eläimet, sivulliset ja avustajat 15 m vaarallisen alueen ulkopuolella. Pysäytä moottori heti, jos sinua lähestytään.
- Kanna moottoria aina oikealla puolellasi.
- Pidä laitteesta/koneesta tukevasti kiinni kummallakin kädellä.
- Seiso tukevasti ja tasapainon säilyttäen. Älä kurottele.
- Pidä kehon osan poista äänenvaimentimesta ja leikkuulaitteesta, kun moottori käy.
- Pidä leikkuulaite vyötäröä alempana.

Turvallinen huolto

- Huolla laite/kone suositusten mukaisesti.
- Irrota tulpan johto ennen huoltamista, paitsi säädettäessä kaasutinta.
- Pidä muut poissa, kun säädät kaasutinta
- Käytä vain valmistajan suosittelemia alkuperäisiä varaosia.

Kuljettaminen ja varastointi

- Kanna laitetta/konetta kädessä moottori sammutettuna ja äänenvaimennin pois päin käännettynä.
- Anna moottorin jäähtyä, tyhjennä polttoainesäiliö ja kiinnitä laite/kone paikalleen ennen kuljettamista autossa.
- Tyhjennä polttoainesäiliö ennen koneen varastointia. Polttoaine kannattaa tyhjentää jokaisen käyttökerran jälkeen. Jos säiliöön jää polttoainetta, säilytä kone niin, että polttoainetta ei vuoda.
- Säilytä laite/kone lasten ulottumattomissa.
- Puhdista laite huolellisesti ja säilytä kuivassa paikassa.
- Tarkasta, että sytytysvirta on katkaistu ennen kuljettamista tai varastointia.
- Peitä terä suojuksella, kun kuljetat laitetta autossa.

Jos joudut tilanteeseen, johon ei ole neuvoja oppaassa, toimi harkiten. Jos tarvitset apua, ota yhteys HITACHI-myyjään. Jos tarvitset apua, ota yhteys koneen myyjään-Kiinnitä erityistä huomioita teksteihin, joita edeltävät sanat:

VAROITUS!

Suuri vakavan vamman tai kuoleman vaara, ellei ohjeita noudateta.

HUOMIO!

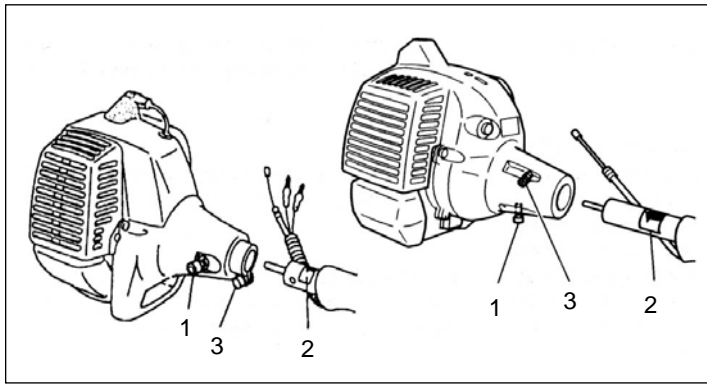
Tapaturman tai koneen vaurioitumisen vaara, ellei ohjeita noudateta.

HUOM!

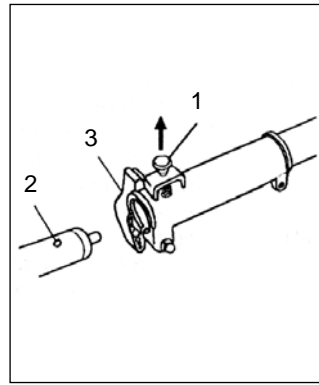
Oikeaa käyttöä koskevia hyödyllisiä tietoja.

HUOMIO!

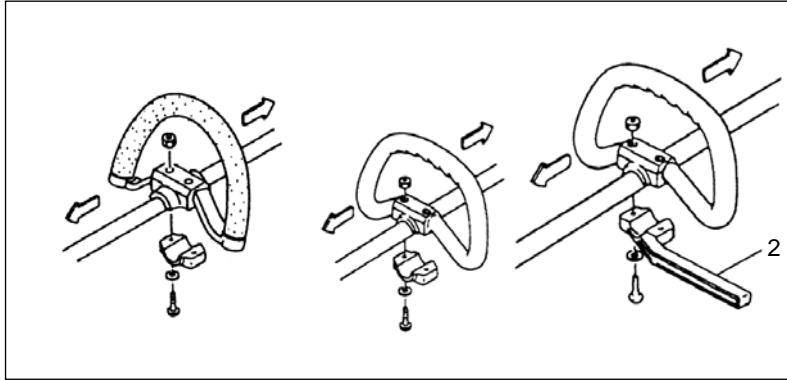
Älä pura narukäynnistintä, koska käynnistimen jousi voi vammauttaa.



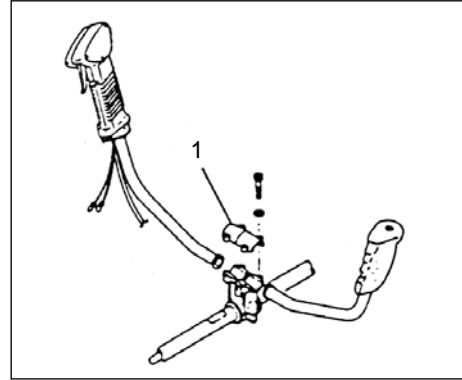
kuva.1-1



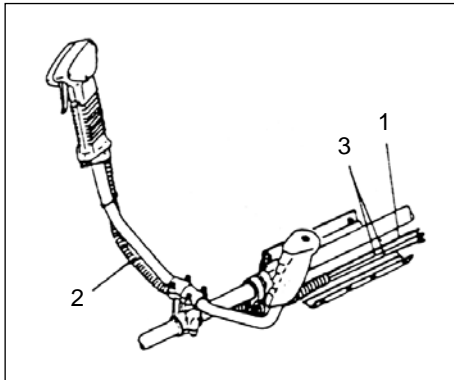
kuva.1-1B



kuva.1-2



kuva.1-3



kuva.1-3B

3. Kokoaminen

Vetoakseli moottoriin (kuva 1-1)

Löysää lukkoruuvia (1) kymmenisen kierrosta, jotta sen kärki estäisi putken työntämistä paikalleen. Kun työnnyt käyttöakselin putkea paikalleen, pidä putken lukkoruuvia ulospäin, jotta sisäpuolen kiinnike ei olisi tiellä. Työnnä vetoakseli niin pitkälle moottorin kytkimen koteloon, että vetoakselin merkki (2) on kytkinkotelon kohdalla.

HUOM!

Mikäli akselin työntäminen merkittyyn asentoon asti on vaikeaa, pyöritä akselia terän kiinnikkeellä myötä- tai vastapäivään. Kohdistu putken lukkoruuvi akseliputken reikään. Kiristä lukkoruuvi huolellisesti (3).

Leikkuulaitteen kiinnittäminen

1. Aseta leikkuu-laite paikalleen.
2. Varmista, että lukkotappi (1) osuu putken kohdistusreikään (2), eikä putki irtoa. (Kuva 1-1 B)
3. Kiristä mutteri (3) kunnolla. (Kuva 1-1B)

Kahvan asentaminen

⚠ VAROITUS!

Kun käytät terästeriä/jäykkiä teriä suora-akselisessa trimmerissä tai pensasleikkurissa, käytä suojatankoa (2) ja olkahihnaa yhdessä silmukkakahvan kanssa. (Kuva 1-2)

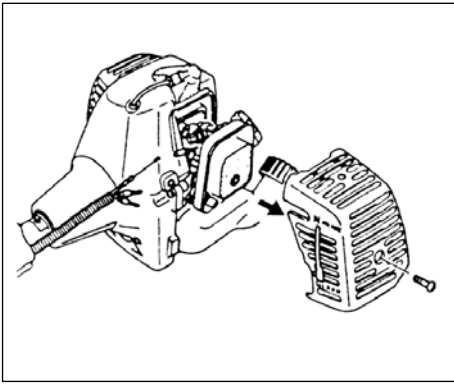
Kiinnitä kahva vetoakseliputken kulma moottoriin päin käännettynä. Säädä asento mukavimmaksi ennen työskentelyä.

Irrota kahva kiinnike (1) asennelmasta.

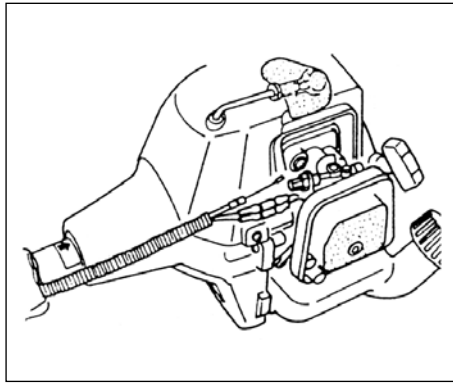
(Kuva 1-3)

Aseta kahvat paikalleen ja kiinnitä kiinnike kiristämällä neljä ruuvia kevyesti. Säädä asento oikeaksi. Kiristä sitten ruuvit kunnolla.

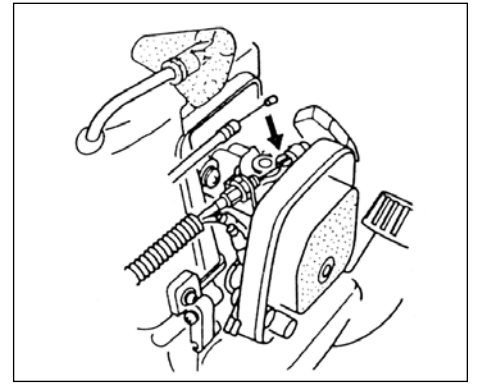
Vedä pysäytinrat (3) ja kaasuvaijeri (1) suojaputken (2) läpi, ja irrota sitten lantiotyyny. (Kuva 1-3B)



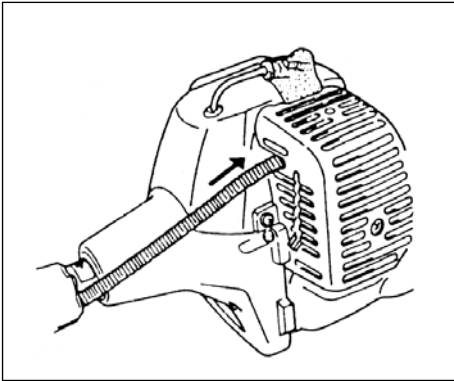
kuva. 1-4



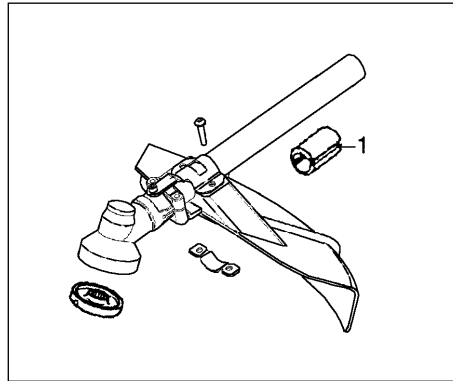
kuva. 1-5



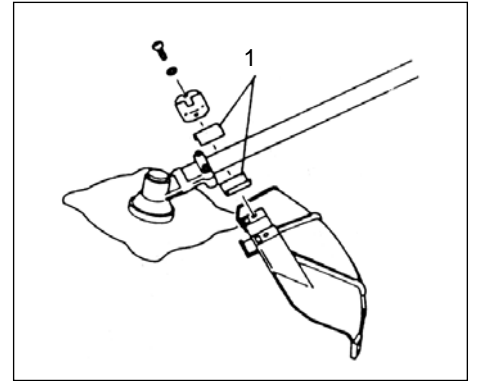
kuva. 1-6



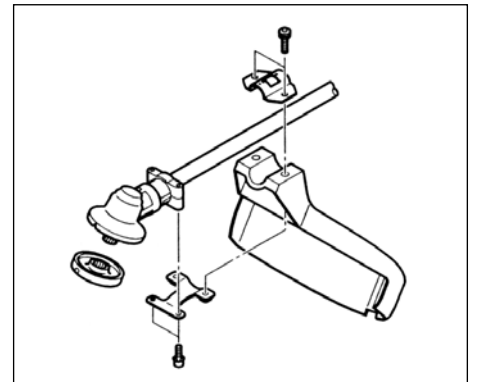
kuva. 1-7



kuva. 1-8



kuva. 1-8B



kuva. 1-8E

Kaasuvaijeri/pysäytinnaru

Irrota ilmanpuhdistimen suojus. (Kuva 1-4) Liitä pysäytinnarut. (Kuva 1-5)

Yhdistä kaasuvaijerin pää kaasuttimeen (kuva 1-6).

Peitä kaasuvaijeri ja pysäytinnarut mukana toimitetulla suojuksella, joka ulottuu ilmanpuhdistimen suojukseen asti. (Kuva 1-7)

Teränsuojuksen asentaminen

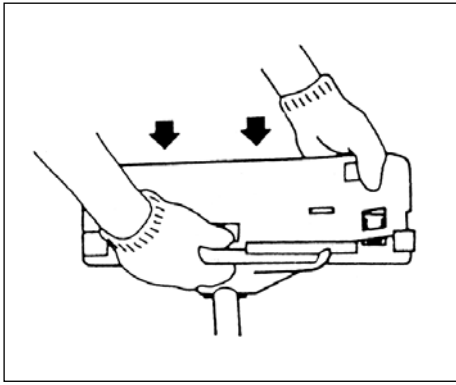
(Fig. 1-8, 8B)

Kiinnitä teränsuojus ja kiinnikkeen välikappaleet (1) (jos mukana) vetoakselin putkeen kulmavaihdetta vasten. Kiristä suojuksen kiinnike kunnolla, jotta suojus ei heiluisi tai taipuisi konetta käytettäessä.

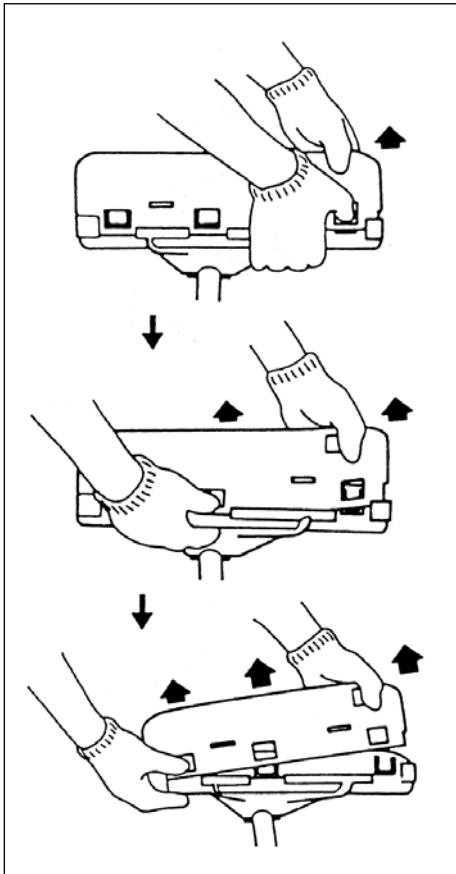
Kiinnitä terän suojus kahdella ruuvilla suojuksen kiinnikkeeseen, jolla suojus kiinnitetään myös vaihteistoon.

HUOMIO!

Joissakin suojuksissa on terävät siimanleikkurit. Käsittele tällaisia suojuksia varoen.



kuva. 1-9



kuva. 1-9C

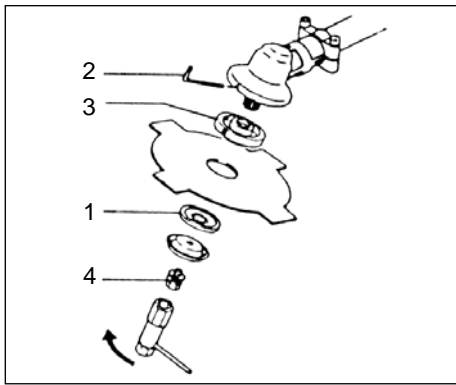
Kun käytä trimmeripäätä (2), jossa on kaksiosainen teränsuojus, kiinnitä jatkokappale teränsuojukseen. (Kuva 1-9)

HUOM!

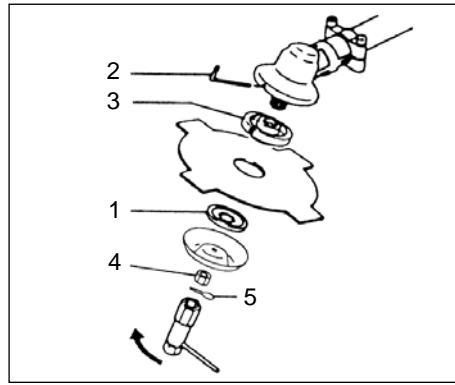
Jos laitteessa on vetoakselin putkessa suojuksen paikkamerkkitarra, huomioi se.

HUOM!

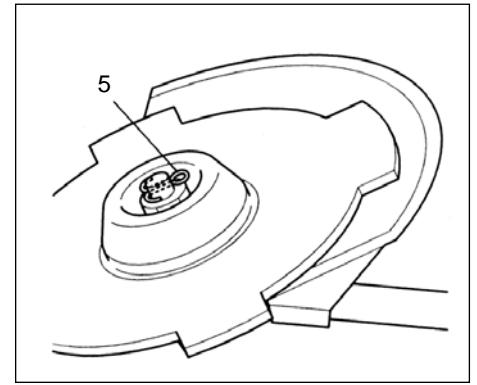
Jatkosuojuksen irrottaminen: katso kuvat. Käytä käsineitä, koska jatkosuojuksessa on terävä siimanleikkuri, ja paina suojuksen nelikulmaisia kielekkeitä yksi kerrallaan. (Kuva 1-9C)



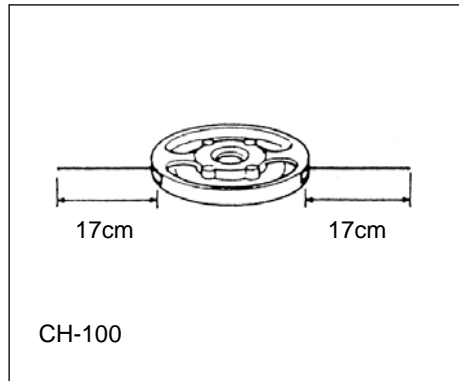
kuva. 1-10



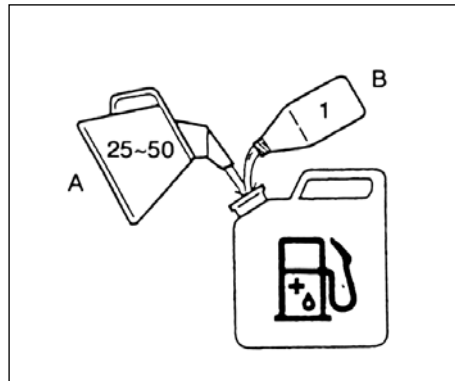
kuva. 1-10B



kuva. 1-10C



kuva. 1-11



kuva. 2-1

Terän asentaminen (kuva 1-10, 10B)

(Jos sisältyy)

Tarkasta ennen leikkuuterän asentamista, että siinä ei ole halkeamia eikä vaurioita, ja että teräsärmät ovat oikeaan suuntaan.

HUOM!

Kun asennat pitimen tulppaa (1), käännä kovera puoli ylöspäin. Lukitse terän pidin (3) kuusiokoloavaimella (2), jonka työnnyt kulmavaihteen aukkoon. Huomaa, että terän kiinnitysruuvissa tai -mutterissa (4) on vasenkätiset kierteet (löysää myötäpäivään/kiristä vastapäivään). Kiristä kiinnitysruuvi tai -mutteri hylsyavaimella.

HUOM!

Jos laitteessa on mutterikiinnitys ja sokka, asenna uusi sokka (5) joka kerran, kun kiinnität terän. (Kuva 1-10C)

HUOMIO!

Tarkasta ennen työskentelyä, että terä on asennettu oikein.

HUOMIO!

Jos laitteessa on suojus leikkuuterän alla, tarkasta sen kuluneisuus ja vauriot ennen käyttöä. Jos havaitset kulumia tai vaurioita, vaihda suojus, koska se on kulutusosa.

BRAIN® -leikkuupään asentaminen

HUOM!

Katso asennusohjeet BRAIN® ohjekirjasta, joka toimitetaan BRAIN® leikkuupään mukana.

VAROITUS!

HITACHI BRAIN -päät tai HITACHI-seospäät: käytä vain valmistajan suosittelemaa joustavaa ei-metallisiimaa. Älä käytä metallilankaa tai metallilankapunoksia. Ne voivat katkea ja lennellä vaarallisesti.

HUOM!

Kun käytät HITACHI-seospäätä (CH-100), siimojen aloituspituuden olisi oltava noin 17 cm. (Kuva 1-11)

4. Laitteen käyttö

Polttoaine (kuva 2-1)

VAROITUS!

Trimmerissä on kaksitahtimoottori. Käytä aina öljyä sisältävää kaksitahtipolttoainetta. Huolehdi tuuletuksesta, kun tankkaat tai käsittelet polttoainetta.

Polttoaine

- Käytä laadukasta 95-oktaanista lyijytöntä bensiiniä.
- Käytä kaksitahtiöljyä tai sekoita öljyä ja polttoainetta suhteessa 25:1 - 50:1. Katso lisätietoja öljypullosta tai kysy HITACHI-myyjältä.
- Ja Kaliforniassa käytä vain sekoitussuhdetta 50:1.
- Jos kaksitahtiöljyä ei ole saatavana, käytä ilmajähdytteisiin kaksitahtimoottoreihin tarkoitettua öljyä (JASO FC GRADE OIL tai ISO EGC GRADE). Älä käytä laatua BIA tai TCW (tarkoitettu vesijähdytteisiin kaksitahtimoottoreihin).
- Älä käytä moniasteöljyä (10 W/30) tai jäteöljyä.
- Sekoita bensiini ja öljy puhtaassa astiassa.

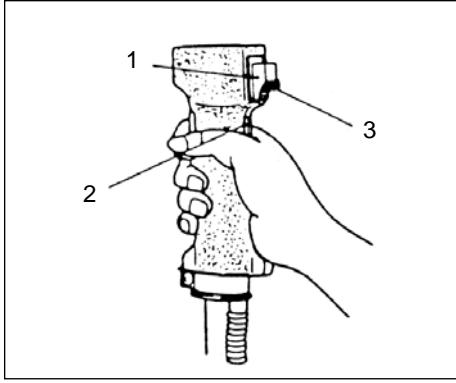
Täytä aluksi puolet bensiinistä. Lisää sitten kaikki öljy. Sekoita ravistamalla. Lisää loppu bensiini. Sekoita huolellisesti ravistamalla ennen polttoainesäiliön täyttämistä.

Tankkaaminen

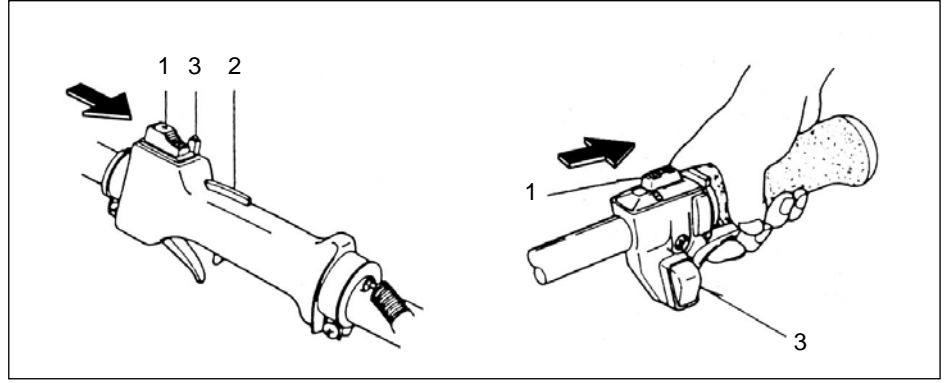
VAROITUS!

- **Sammuta moottori ennen tankkaamista.**
- **Avaa polttoainesäiliö hitaasti, jotta mahdollinen ylipaine pääsisi purkautumaan.**
- **Kiristä polttoainesäiliön korkki tankkaamisen jälkeen.**
- **Siirry vähintään kolmen metrin päähän tankkauspaikasta ennen moottorin käynnistämistä.**

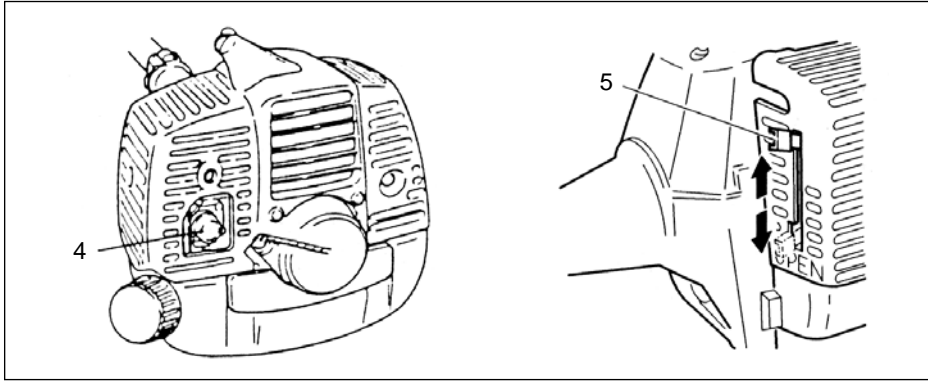
Puhdista polttoainesäiliön kannen ympäristö huolellisesti ennen tankkaamista, jotta säiliöön ei pääsisi likaa. Sekoita polttoaine ravistelemalla astiaa ennen tankkaamista.



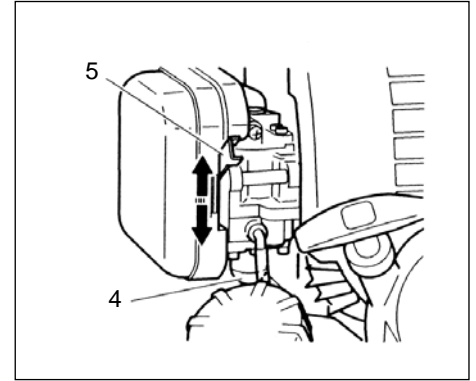
kuva. 2-2



kuva. 2-2B



kuva. 2-2C



kuva. 2-3

Käynnistäminen (kuva. 2-2)

HUOMIO!

Tarkasta ennen käynnistämistä, että leikkuulaite ei kosketa mitään.

1. Käännä virtakytkin (1) asentoon ON.
(Kuva 2-2, 2B)

* Paina polttoainepumppua (4) useita kertoja, kunnes sen tai paluuputken läpi virtaa polttoainetta. (Jos asennettu) (kuva 2-2C, 3).

2. Paina varmistinvipua (2), vedä kaasuliipaisinta ja paina salpanappia (3) (jos asennettu), ja sitten vapauta hitaasti ensin kaasuliipaisin ja sitten varmistinvipu. Kaasutin lukkiutuu käynnistysasentoon.

3. Sulje rikastin (CLOSED) (5). (kuva 2-2C, 3)

4. Tartu lujasti käynnistysnarun kahvaan ja vedä reippaasti. Päästä naru palautumaan hitaasti.

5. Kun moottori on käynnistymäisillään, avaa rikastin (RUN). Vedä käynnistysnarua rivaakasti.

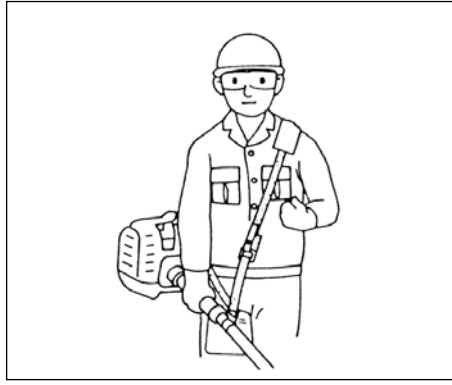
HUOM!

Jos moottori ei käynnisty, toista vaiheet 2-5.

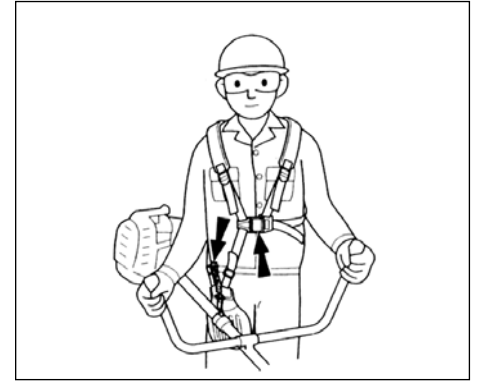
6. Kun moottori on käynnistynyt, vapauta kaasutin vetämällä kaasuvipua. Anna moottorin sitten lämmitä 2-3 minuuttia ennen kuormittamista.



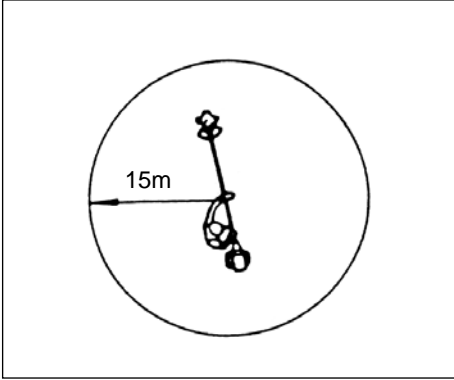
kuva. 2-4



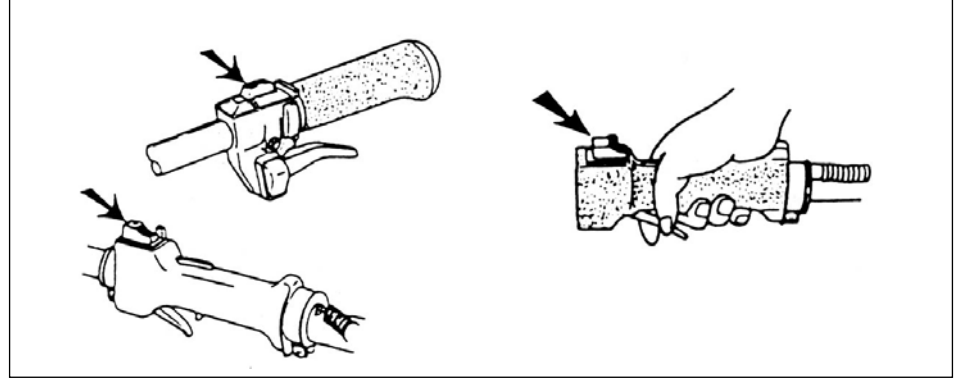
kuva. 2-4B



kuva. 2-4C



kuva. 2-4D



kuva. 2-5

Leikkaaminen (kuva 2-4,4B, 4C, 4D)

- Käytä leikatessa käyntinopeutta yli 6500 k/min. Pienten nopeuksien käyttäminen pitkään voi nopeuttaa kytkimen kulumista.
- Leikkaa ruohoa oikealta vasemmalle.
- Terän heitto mahdollinen myös pyörivän terän osuessa kiinteään kohteeseen, joka on kriittisellä alueella. Koko laite ja käyttäjä voivat lennähtää äkkinäisesti ja vaarallisen nopeasti. Ilmiöt on nimeltään TERÄN HETTO. Käyttäjä voi menettää koneen hallinnan, mistä voi seurata vakava vamma tai kuolema. Terän heitto on todennäköisempi paikoissa, joissa leikattavaa materiaalia ei näe hyvin.
- Käytä valjaita kuvan mukaisesti (jos sisältyvät). Terä pyörii vastapäivään, jos leikkaaminen sujuu tehokkaammin oikealta vasemmalle. Pidä sivulliset vähintään 15 m etäisyydellä.

HUOM!

Hätätilanteessa paina pikavapautuspainiketta tai vedä hätävapautuslappää (jos asennettu). (Kuva 2-4C)

VAROITUS!

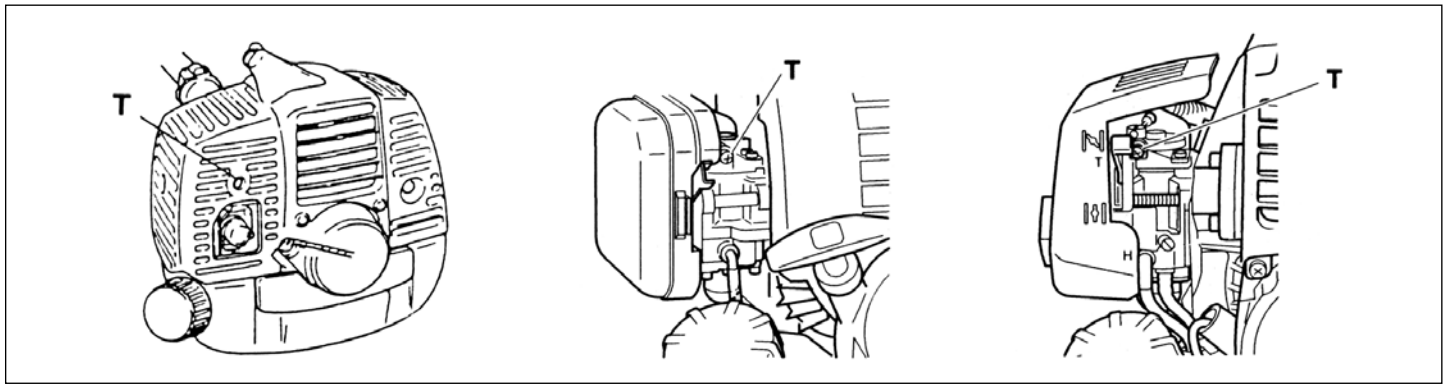
Jos leikkulaite osuu kiviin tai muuhun esteeseen, sammuta moottori ja tarkasta, että leikkulaite osineen ei ole vaurioitunut. Kun leikkulaitteen ympäri kiertyy ruohoa tai korsia, sammuta moottori ja poista ne.

Pysäyttäminen (kuva 2-5)

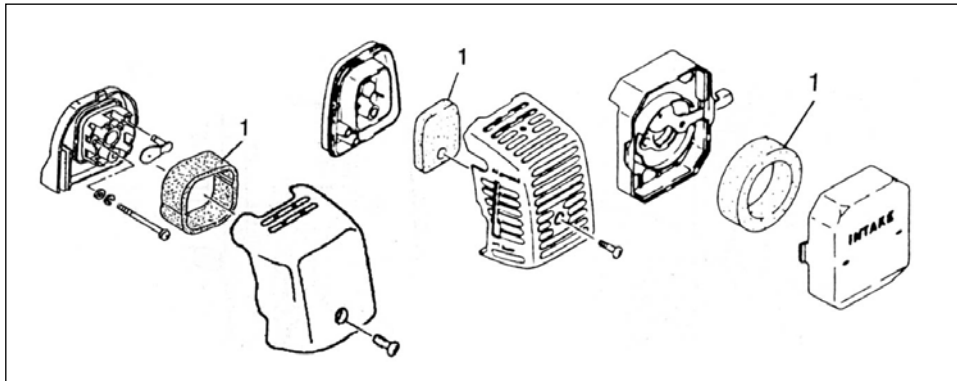
- Anna moottorin käydä jokunen minuutti joutokäynti ja katkaise sitten virta.

VAROITUS!

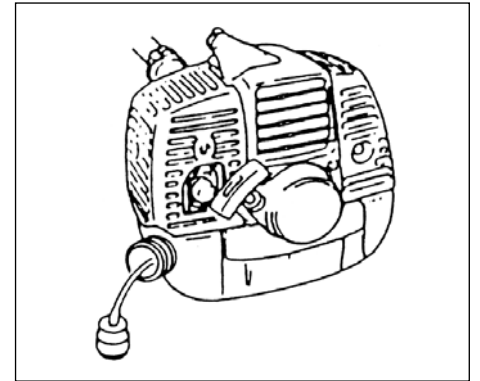
Leikkulaite jatkaa pyörimistään, kun moottorin sammuttaa tai kaasuvivun vapauttaa. Kun pysäytät laitteen, tarkasta ennen sen maahan laskemista, että leikkulaite on pysähtynyt.



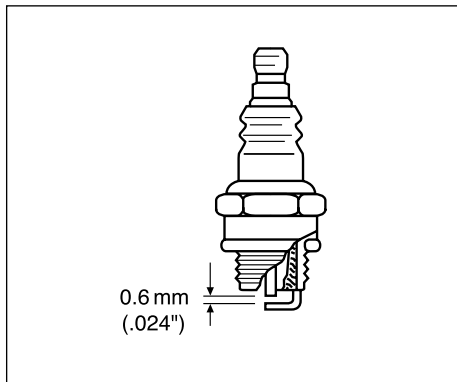
kuva. 3-1



kuva.3-2



kuva. 3-2B



kuva. 3-3

5. Huolto

PAKOJÄRJESTELMÄN JA SEN OSIA SAA HUOLTAA, VAIHTAA TAI KORJATA MISSÄ HYVÄNSÄ PIENKONEKORJAAMOSSA, TAI OMISTAJA VOI TEHDÄ NÄMÄ TYÖT ITSE.

Kaasuttimen säätäminen (kuva 3-1)

VAROITUS!
Leikkuulaite voi liikkua säädettäessä kaasutinta.

VAROITUS!
Älä käynnistä moottoria, ellei kytkimen kotelo ja putki ole paikallaan! Muuten kytkin voi irrota ja vammauttaa.
Polttoaine ja ilma sekoittuvat kaasuttimessa. Kaasutin säädetään, kun moottori koekäytetään tehtaalla. Ilmasto tai käyttöpaikan korkeus meren pinnasta voivat edellyttää lisää säätämistä. Kaasuttimessa on vain yksi säätömahdollisuus,
T = joutokäynnin säätöruuvi.

Joutokäynnin säätäminen (T)

Tarkasta, että ilmansuodatin on puhdas. Kun joutokäyntinopeus on oikea, leikkuulaite ei toimi. Jos joutokäyntiä on säädettävä, käännä T-ruuvia myötäpäivään (kiinni) moottorin käydessä, kunnes leikkuulaite alkaa liikkua. Avaa ruuvia vastapäivään, kunnes leikkuulaite pysähtyy. Joutokäyntinopeus on oikea, kun moottori käy tasaisesti kaikissa asennoissa alle nopeuden, jolla leikkuulaite alkaa toimia. Jos leikkuulaite toimii edelleen joutokäynnin säätämisen jälkeen, ota yhteys huoltoon.

HUOM!
Normaali joutokäyntinopeus on 2500-3000 k/min.

VAROITUS!
Kun moottori käy joutokäynti, leikkuulaite ei saa pyöriä.

Huom!
Kaasuttimen säädöt (nopea ja hidas) puuttuvat joistakin malleista, jotka on myyty alueille, joilla on tiukat päästösäännökset. Moottorin voi saada tällaisilla säädöillä toimimaan päästörajojen ulkopuolella. Näissä malleissa voi säätää vain joutokäyntinopeutta.

Kun mallissa on suuren ja pienen nopeuden säädöt, kaasuttimet säädetään valmiiksi tehtaalla. Pienet säädöt voivat optimoida suorituskyvyn ilmaston, korkeuden jne. perusteella. Käännä säätöruuvia enintään 90 astetta, koska muuten moottori voi vaurioitua väärän säädön seurauksena. Jos et hallitse näitä säätöjä, ota yhteys HITACHI-myyjiään.

Ilmansuodatin (kuva 3-2)

Ilmansuodatin on puhdistettava pölystä ja liasta, jotta:

- kaasutin toimisi oikein.
 - moottori käynnistyisi.
 - moottorin teho ei alenisi.
 - moottorin osat eivät kuluisi tarpeettomasti.
 - polttoainetta ei kuluisi epänormaalisti.
- Puhdista ilmansuodatin päivittäin tai useammin, jos työskentelet erittäin pölyisissä oloissa.

Ilmansuodattimen puhdistus, omem

Poista ilmansuodattimen kansi ja suodatin (1). Huuhtelee haalealla saippuavedellä. Tarkasta ennen kokoamista, että ilmansuodatin on kuiva. Jonkin aikaa käytettyä ilmansuodatinta ei saa puhdistettua kunnolla. Siksi ilmansuodatin on uusittava säännöllisesti. Vaurioitunut ilmansuodatin on vaihdettava viipymättä.

Polttoaineensuodatin (kuva 3-2B)

Tyhjennä kaikki polttoaine säiliöstä ja irrota polttoaineensuodatin säiliöstä. Vedä suodatinpanos pitimestä ja huuhtelee lämpimällä pesuaineliuoksella. Huuhtelee kunnolla pesuaineliuosten poistamiseksi. Poista vesi puristelemalla, ei vääntämällä, ja anna panoksen kuivua ilmassa.

HUOM!
Jos pöly ja lika ovat kovettaneet suodattimen, vaihda se.

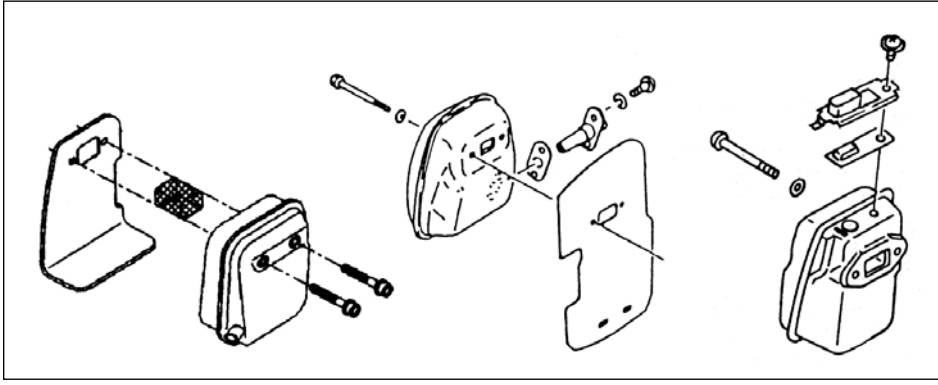
Sytytystulppa (kuva 3-3)

Sytytystulpan kuntoon vaikuttavat:

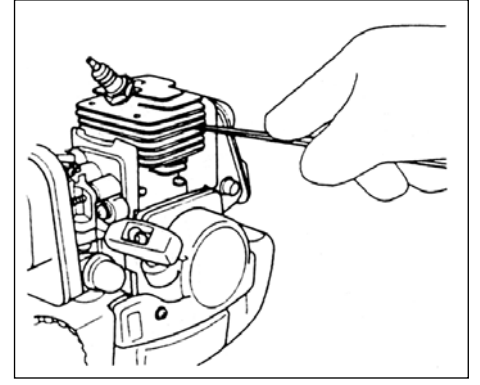
- Väärin säädetty kaasutin.
- Väärä polttoaineseos (liikaa öljyä)
- Likainen ilmansuodatin
- Raskaat käyttöolot (esimerkiksi kylmä sää).

Sytytystulppa voi tällöin karstoitua, jolloin kone käy tai käynnistyy huonosti. Jos moottori on tehoton, käynnistyy huonosti tai käy epätasaisesti joutokäyntiä, tarkasta ensin sytytystulppa. Jos tulppa on likainen, puhdista se ja tarkasta kärkiväli. Säädä tarvittaessa. Oikea kärkiväli on 0,6 mm (.024"). Vaihda sytytystulppa noin 100 käyttötunnin välein tai aikaisemmin, jos elektrodit ovat erittäin syöpöyneet.

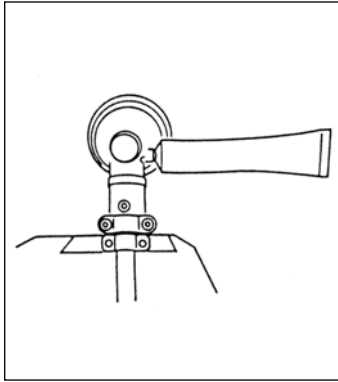
HUOM!
Joillakin alueilla on käytettävä sytytystulppaa, jossa on häiriönestovastus. Jos koneessa oli alun perin tällainen sytytystulppa, korvaa se vastaavan tyypisellä.



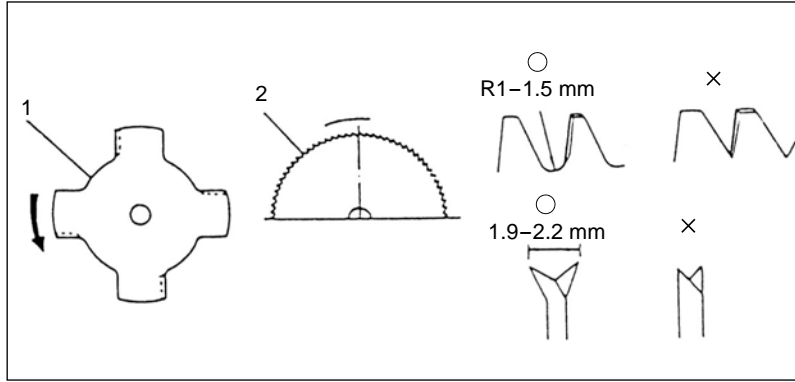
kuva. 3-4



kuva.3-4B



kuva. 3-5



kuva. 3-6

Äänenvaimennin (kuva 3-4)

Irrota äänenvaimennin ja kipinäsuojus (jos asennettu), ja poista karsta pakoaukosta tai äänenvaimentimen tulosta 100 käyttötunnin välein.

Sylinteri (moottorin jäädytys) (kuva 3-4B)

Moottori on ilmajäähdytteinen, ja ilman kierrettävä vapaasti moottorin ja sylinterin jäähditysripojen ympärillä, jotta moottori ei kuumenisi liikaa.

Puhdista jäähditysriivat ja moottorin ulkopinnat jäähditystä huonontavasta pölystä, liasta ja öljykerrostumista 100 käyttötunnin välein tai kerran vuodessa (useammin, mikäli olet sitä edellyttävät).

HUOM!

Joillakin alueilla on käytettävä sytytystulppaa, jossa on häiriönestovastus. Jos koneessa oli alun perin tällainen sytytystulppa, korvaa se vastaavan tyyppisellä.

Kulmavaihte (kuva 3-5)

Irrota rasvaustulppa kulmavaihteen sivusta ja tarkasta rasvan määrä noin 50 käyttötunnin välein.

Jos hammaspyörien kyljissä ei näy rasvaa. Täytä vaihte 3/4 asti laadukkaalla litiumperustaisella yleisrasvalla. Älä täytä vaihdetta kokonaan.

Terä (kuva 3-6)

VAROITUS!

Käytä suojakäsineitä, kun käsittelet tai huollat terää.

- Käytä terävää terää. Tylsä terä juuttuu ja heittää helpommin. Vaihda kiinnitysmutteri, jos se on vaurioitunut ja vaikea kiristää.
- Kun vaihdat terän, osat HITACHI suositteluun, jossa on 25,4 mm (1") kiinnitysreikä.
- Asenna sahausterä (2) leimattu puoli ylöspäin. 4-hampaisen terän (1) voi asentaa kummin päin.
- Valitse oikea terä käyttötarkoituksen mukaan.
- Käytä oikeita työkaluja terää vaihtaessasi.
- Kun leikkusärmät tylsyvät, teroita ne (katso kuva). Virheellinen teroittaminen voi saada terän värähtelemään liikaa.
- Hylkää taipuneet, vääntyneet, halkeilleet, rikkoutuneet tai muuten vaurioituneet terät.

HUOM!

Kun teroitat terää, säilytä hampaan alaosan alkuperäinen kaarevuus, jotta se halkeilisi.

Huolto-ohjelma

Alla on on joitakin yleisiä huolto-ohjeita. Pyydä lisätietoja huoltoliikkeestä.

Päivittäinen huolto

- Puhdista Laitteen ulkopinnat.
- Tarkasta, että valjaat eivät ole vaurioituneet.
- Tarkasta, onko teräsuojassa vaurioita tai halkeamia. Vaihda teräsuoja, jos siinä on vaurioita tai halkeamia. Tarkasta, että terä on terävä, eikä siinä ole halkeamia.
- Tarkasta, että leikkuulaite on oikein keskitetty, terävä, eikä siinä ole halkeamia. Epäkeskinen leikkuulaite tärisee voimakkaasti ja voi vaurioittaa laitetta.
- Tarkasta leikkuulaitteen mutterin tiukkuus.
- Tarkasta, että terän suojuksessa ei ole vaurioita, ja että sen saa kiinnitettyä varmasti.
- Tarkasta mutterien ja ruuvien tiukkuus.





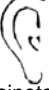

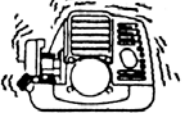





Viikottainen huolto

- Tarkasta käynnistin, erityisesti naru ja palautusjousi.
- Puhdista sytytystulppa ulkopuolelta.
- Irrota tulppa ja tarkasta kärkiväli. Säädä 0,6 mm:ksi, tai vaihda tulppa.
- Puhdista sylinterin jäähditysriivat, ja tarkasta, että käynnistimen ilmanotto ei ole tukossa.
- Tarkasta, että vaihteistossa on rasvaa 3/4.
- Puhdista ilmansuodatin.

Kuukausittainen huolto





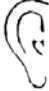

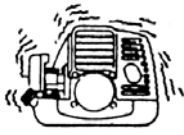





- Huuhtelee polttoainesäiliö bensiinillä.
- Puhdista kaasuttimen ulkopuoli ja ympäristö.
- Puhdista puhallin ja sen ympäristö.

6. Tekniset tiedot

	MODEL CG25EJ (L)/CG25EJ (SL) CG25EJ /CG25EJ (S) CG25EJ (SLD)	CG28EJ (L)/CG28EJ (SL) CG28EJ
Moottorin iskutilavuus (ml)	24 (1.46 cu. in.)	28 (1.71 cu. in.)
	Sytytystulppa	CHAMPION CJ8 tai NGK BMR6A tai vastaava
	CHAMPION CJ6Y tai RCJ6Y tai vastaava	
Polttoainesäiliön tilavuus (l).....	0.50 (16.9 fl. oz)	0.70 (23.6 fl. oz)
	Kuivapaino (kg) CG25EJ (L)	CG28EJ (L)
	CG25EJ (SL)	CG28EJ (SL)
	CG25EJ	CG28EJ
	CG25EJ (S)	CG28EJ
	CG25EJ (SLD)	CG28EJ
	Äänenpainetaso (dB(A))	Äänenpainetaso (dB(A))
(EN 27917)	LpA CG25EJ (L)/CG25EJ (SL)	CG28EJ (L)/CG28EJ (SL)
	CG25EJ /CG25EJ (S)	CG28EJ
	CG25EJ (SLD)	
	Äänenpaineen tehollisarvo (dB(A)) ...	116
	LwA 112	
	Tärinä (m/s ²)(ISO 7916)	
	  CG25EJ (SDL) 	 
Etukahva	3.0 3.2 4.4	2.6 4.1
Takakahva	4.4 4.8 5.0	3.5 5.6
Vasen kahva.....	3.3 3.6	2.4 2.5
Oikea kahva.....	2.7 3.7	1.9 2.0

HUOM : Ekvivalentti äänenpainetaso/tärinä lasketaan aikapainoitettuna äänenpaineen/tärinän energian summuna vaihtelevissa käyttöoloissa seuraavan aikajakautuman mukaisesti : 1/2 joutokäynti, 1/2 täydet kierrokset.

*Kaikki tiedot voivat muuttua ennalta ilmoittamatta.

	MODEL	CG33EJ (L) CG33EJ /CG33EJ (S)	CG27EJ (SL)/CG27EJ (S) CG27EJ (SLD)		
					
Mootorin iskutilavuus (ml)		33 (2.00 cu. in.)	27 (1.65 cu. in.)		
					
Sytytystulppa		CHAMPION CJ6Y tai RCJ6Y tai vastaava	CHAMPION RCJ8Y tai vastaava		
					
Polttoainesäiliön tilavuus (l).....		0.70 (23.6 fl. oz)	0.67 (22.8 fl. oz)		
					
Kuivapaino (kg).....		CG33EJ (L)5.5 (12.1 lbs) CG33EJ5.7 (12.5 lbs) CG33EJ (S)5.86 (12.9 lbs)	CG27EJ (SL)5.5 (12.12 lbs) CG27EJ (S)6.0 (13.22 lbs) CG27EJ (SLD)5.7 (12.56 lbs)		
					
Äänenpainetaso (dB(A))		LpA			
(EN 27917)		CG33EJ (L)94.5 CG33EJ /CG33EJ (S)94.5	CG27EJ (SL)97.5 CG27EJ (S)98.3 CG27EJ (SLD)97.5		
					
Äänenpaineen tehollisarvo (dB(A)) ...LwA		116	116		
					
Tärinä (m/s ²)(ISO 7916)			CG27EJ (SLD)		
					
Etukahva	5.4	5.2	5.8	2.1	5.7
Takakahva	3.7	7.1	3.2	4.5	3.1
Vasen kahva.....	1.8	2.1	4.6	2.3	
Oikea kahva.....	2.5	2.9	3.4	2.0	

HUOM : Ekvivalentti äänenpainetaso/tärinä lasketaan aikapainoitettuna äänenpaineen/tärinän energian summana vaihtelevissa käyttöoloissa seuraavan aikajakautuman mukaisesti : 1/2 joutokäynti, 1/2 täydet kierrokset.

*Kaikki tiedot voivat muuttua ennalta ilmoittamatta.

HITACHI

CG25EJ/CG25EJ (L)/CG25EJ (SL)

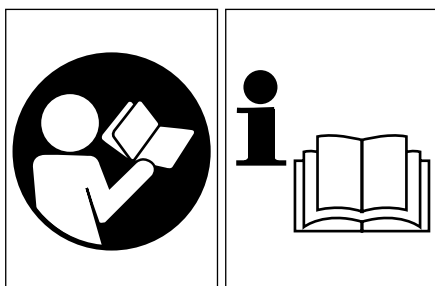
CG25EJ (S)/CG25EJ (SDL)

CG27EJ (S)/CG27EJ (SL)/CG27EJ (SLD)

CG28EJ/CG28EJ (L)/CG28EJ (SL)

CG33EJ/CG33EJ (L)/CG33EJ (S)

RU



Перед эксплуатацией этой
машины внимательно
прочтите руководство.

Руководство пользователя

Значение символов или табличек. (ВНИМАНИЕ! Некоторые устройства не снабжены ими)



ПРЕДОСТЕРЕЖЕНИЕ

Выхлоп двигателя данного изделия содержит химикаты, известные в Штате Калифорния, как вызывающие рак, врождённые дефекты и другой репродуктивный вред.



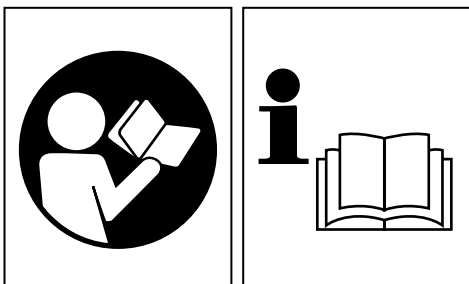
При эксплуатации данного аппарата всегда носить средства защиты зрения, слуха, а также головной убор.



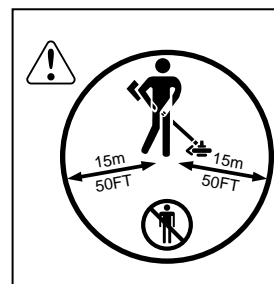
Следует прочитать, понять и выполнять все предостережения и инструкции, указанные в этом руководстве и на аппарате.



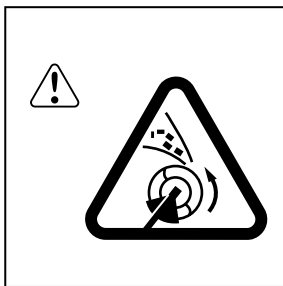
Не применять металлические/твёрдые лезвия, если на устройстве имеется этот знак.



Важно, чтобы Вы прочли, в полном объёме поняли и соблюдали следующие правила техники безопасности и предостережения. Халатное или ненадлежащее применение аппарата может вызвать серьёзные или смертельные телесные повреждения.



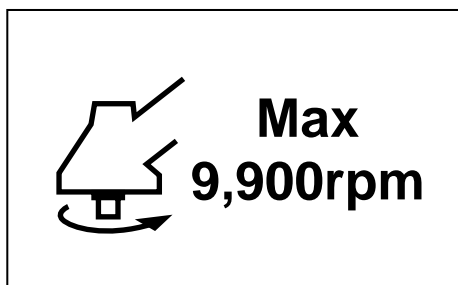
Не допускать детей, наблюдающих лиц и помощников на расстояние 15 м до устройства. Немедленно отключайте двигатель и режущий аппарат, если к Вам кто-то приближается.



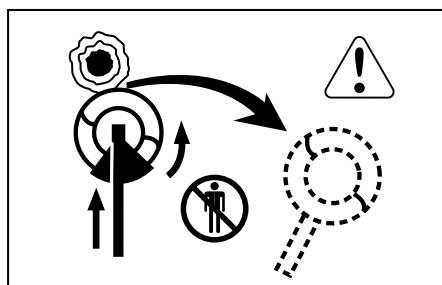
Остерегайтесь выброса предметов



Носить прочную и нескользящую обувь.



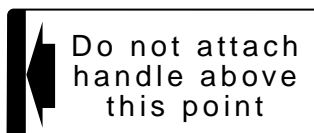
Соблюдать максимальную скорость вращения вала. Не применять режущий аппарат, максимальная скорость вращения которого ниже скорости вала.



При контакте вращающегося лезвия с твёрдым предметом в критической зоне может возникнуть усилие подачи лезвия. В результате этого опасного явления устройство и оператор могут быть резко отброшены в сторону. Это явление называется УСИЛИЕМ ПОДАЧИ ЛЕЗВИЯ. При этом оператор может потерять контроль над устройством, что влечёт за собой серьёзные или смертельные травмы. Усилие подачи лезвия наиболее вероятно на участках, где затруднён обзор подрезаемого материала.



При необходимости носить перчатки, напр., при установке режущего аппарата.



Обозначить местоположение рукоятки. Не устанавливать рукоятку выше этой точки.

Перед применением нового аппарата

- Внимательно прочесть руководство пользователя.
- Проверить правильность сборки и регулировки режущего оборудования.
- Запустить аппарат и проверить регулировку карбюратора. Смотри "Техобслуживание".

Заявление о соответствии

Мы, Nikko Tanaka Engineering Co., Ltd., 3-4-29 Tsudanuma, Narashino, Chiba, Japan
Заявляем с исключительной ответственностью, что изделие типа аппарата для стрижки
кустарника

CG25EJ/CG25EJ (L)/CG25EJ (SL)
CG25EJ (S)/CG25EJ (SDL)
CG27EJ (S)/CG27EJ (SL)/CG27EJ (SLD)
CG28EJ/CG28EJ (L)/CG28EJ (SL)
CG33EJ/CG33EJ (L)/CG33EJ (S)

к которому относится настоящее заявление, выполняет основные требования по
технике безопасности Директив.

98/37/EC, 89/336/EEC, 2000/14/EC

Приняты во внимание следующие стандарты
ISO 7112/7113/7916/7917/7918/8380/11682
(EN ISO 12100-1/2, EN ISO 11806)

Изготовлено на : Chiba, Japan

Подпись:



Серийный № от:

E570001

Yoshio Osada

Должность:

Директор

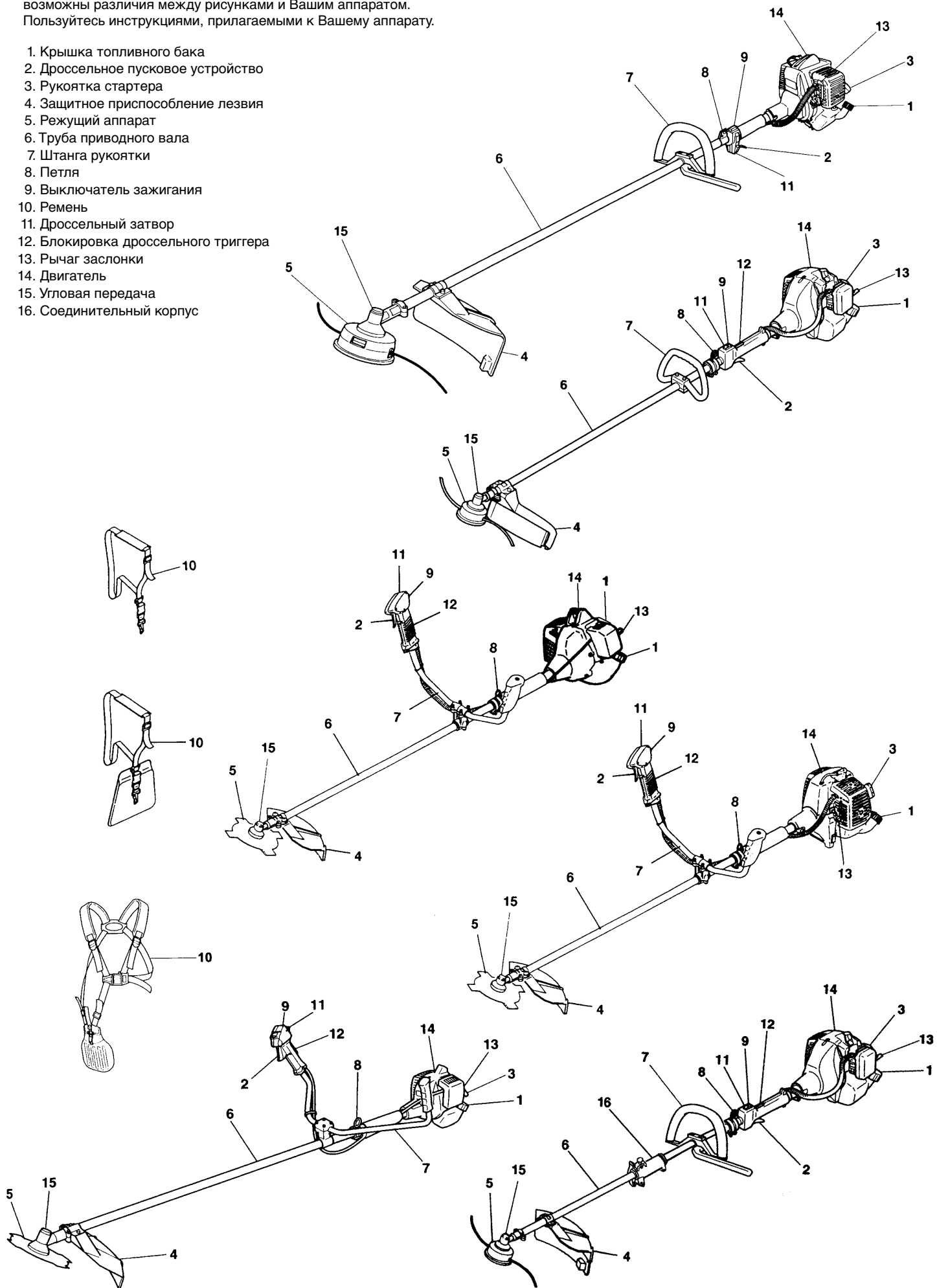
Содержание

Что это такое? _____	5
Предостережения и инструкции по технике безопасности _____	6
Сборочные операции _____	7
Рабочие операции _____	10
Техобслуживание _____	13
Спецификации _____	15

1. Что это такое?

Поскольку в этом руководстве описывается несколько моделей, возможны различия между рисунками и Вашим аппаратом. Пользуйтесь инструкциями, прилагаемыми к Вашему аппарату.

1. Крышка топливного бака
2. Дроссельное пусковое устройство
3. Рукоятка стартера
4. Защитное приспособление лезвия
5. Режущий аппарат
6. Труба приводного вала
7. Штанга рукоятки
8. Петля
9. Выключатель зажигания
10. Ремень
11. Дроссельный затвор
12. Блокировка дроссельного триггера
13. Рычаг заслонки
14. Двигатель
15. Угловая передача
16. Соединительный корпус



RU

2. Предостережения и инструкции по технике безопасности

Безопасность оператора

- Всегда носить защитный щиток для лица или очки.
- Всегда носить длинные брюки из прочной ткани, ботинки и перчатки. Не надевать широкую одежду, украшения, шорты, сандалии и не ходить босиком. Подбирать волосы так, чтобы их длина была выше плеч.
- Не управляйте этим аппаратом/ машиной, если Вы устали, больны или находитесь под влиянием алкоголя, наркотиков или медикаментов.
- Не позволять детям или некомпетентным лицам управлять машиной.
- Носить средства защиты слуха.
- Не запускать и не эксплуатировать двигатель в закрытом помещении или здании. Вдыхание выхлопных газов может быть смертельным.
- Держите рукоятки в чистом состоянии, без масла или топливной смеси.
- Не прикасайтесь к режущему оборудованию.
- Не захватывать и не держать устройство за режущее оборудование.
- Если устройство отключено, убедитесь, что режущий аппарат остановился, прежде чем положить устройство.
- Если эксплуатация длительная, периодически устраивайте перерывы, чтобы избежать возможного синдрома белых пальцев, который вызывает вибрация.

Безопасность аппарата/машины

- Перед каждым применением проверяйте весь аппарат/машину. Заменяйте повреждённые детали. Проверяйте отсутствие утечки топлива и прочность посадки всех креплений.
- Перед применением устройства/машины замените треснувшие, сколотые или иным образом повреждённые детали.
- Убедитесь, что защитное приспособление установлено надлежащим образом.
- При выполнении регулировки карбюратора не допускать в рабочую зону посторонних.
- Применяйте вспомогательное оборудование, рекомендованное для этого аппарата/машины изготовителем.

⚠ ПРЕДОСТЕРЕЖЕНИЕ!

Не производить на аппарате/машине никаких изменений. Не применяйте режущий аппарат/машину для других работ, кроме тех, для которых он предназначен.

Безопасность при обращении с топливом **ВНИМАНИЕ!**

- Опорожнить топливный бак перед отправкой аппарата/машины на хранение. В частности, это следует делать при хранении более трёх месяцев, иначе топливо может вызвать коррозию и повредить карбюратор. Рекомендуется сливать топливо после каждого применения. Если топливо остаётся в баке, необходимо проследить, чтобы бак не протекал.
- Топливо смешивать и наливать на открытом воздухе и там, где нет опасности возникновения искр или огня.
- Применять контейнер, пригодный для топлива.

- Не курить и не позволять другим курить поблизости от топлива или аппарата/машины, либо во время применения аппарата/машины.
- Удалить пролитое топливо, прежде чем запускать двигатель.
- Следует отойти от места заправки минимум на 3 м, прежде чем запускать двигатель.
- Отключить двигатель, прежде чем удалить крышку топливного бака.
- Хранить аппарат/машину и топливо в месте, где топливные пары не могут достигнуть искр или огня из водонагревателей, электрических двигателей или выключателей, печей и т.п.

⚠ ПРЕДОСТЕРЕЖЕНИЕ!

Антивибрационные системы не гарантируют, что Вы не будете подвержены синдрому белых пальцев или кистевому туннельному синдрому. Поэтому постоянные и регулярные пользователи должны внимательно наблюдать за состоянием своих рук и пальцев. Если появится один из упомянутых выше симптомов, следует немедленно обратиться к врачу.

Безопасность при резке

- Не резать другой материал, кроме травы и кустарника.
- Перед каждым применением проверять зону, где будет выполняться резка. Удалить предметы, которые могут быть отброшены или втянуты.
- Для защиты дыхания носить респиратор, если стрижка травы производится после распыления инсектицида.
- Не пускать детей, животных, наблюдающих лиц и помощников в опасную зону площадью 15 м. Немедленно отключайте двигатель, если к Вам кто-то приближается.
- Всегда держите двигатель с правой стороны от корпуса Вашего тела.
- Крепко держите аппарат/машину двумя руками.
- Сохраняйте устойчивое положение и равновесие. Не тянитесь.
- При работающем двигателе держите все части тела на расстоянии от глушителя и режущего аппарата.
- Держать режущий аппарат ниже уровня талии.

Безопасность при техобслуживании

- Выполняйте техобслуживание аппарата/машины в соответствии с рекомендованными процедурами.
- Отсоедините свечу зажигания, прежде чем производить техобслуживание, за исключением работ по регулировке карбюратора.
- При выполнении регулировки карбюратора не допускать в рабочую зону посторонних.
- Для замены используйте только оригинальные запчасти, рекомендованные изготовителем.

Транспортировка и хранение

- Переносить аппарат/машину вручную при отключенном двигателе и при отведённом в сторону от тела глушителе.
- Охладить двигатель, опорожнить топливный бак и заблокировать аппарат/машину, прежде чем отправлять на хранение или перевозить на транспорте.
- Опорожнить топливный бак перед отправкой аппарата/машины на хранение. Рекомендуется сливать топливо после каждого применения. Если топливо остаётся в баке, необходимо проследить, чтобы бак не протекал.
- Хранить агрегат/машину в недоступном для детей месте.
- Аппарат тщательно очистить и хранить в сухом месте.
- При транспортировке или хранении убедитесь, что выключатель двигателя отключён.
- При перевозке на транспорте закройте лезвие кожухом.

При возникновении ситуаций, не описанных в данном руководстве, надлежит соблюдать осторожность и действовать в соответствии со здравым смыслом. Обратитесь к дилеру фирмы HITACHI, если Вам нужна консультация.

Обратите особое внимание на указания, сопровождающиеся следующими словами:

⚠ ПРЕДОСТЕРЕЖЕНИЕ!

Указывает на высокую вероятность причинения телесного вреда или на смертельную опасность, если инструкции не соблюдаются.

ОСТОРОЖНО!

Указывает на вероятность причинения телесного вреда или повреждения оборудования, если инструкции не соблюдаются.

ВНИМАНИЕ!

Полезная информация для правильного функционирования и применения.

ОСТОРОЖНО!

Не разбирать возвратный стартер, Вы можете получить травму от возвратной пружины.

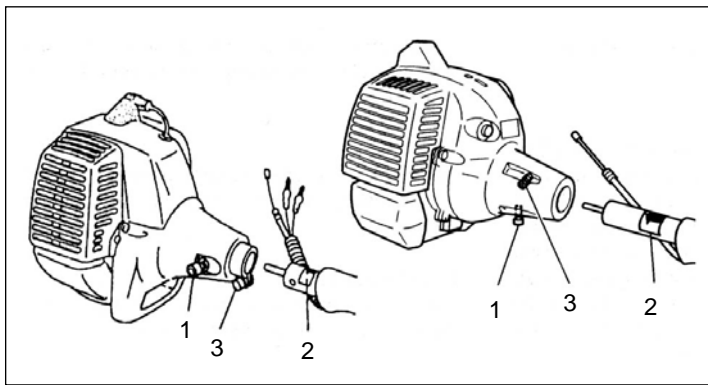


Рис.1-1

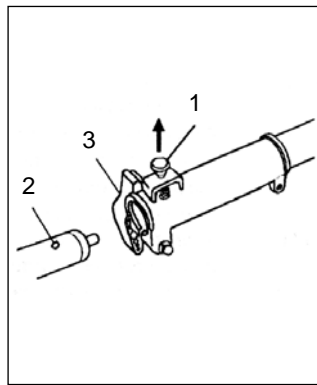


Рис.1-1В

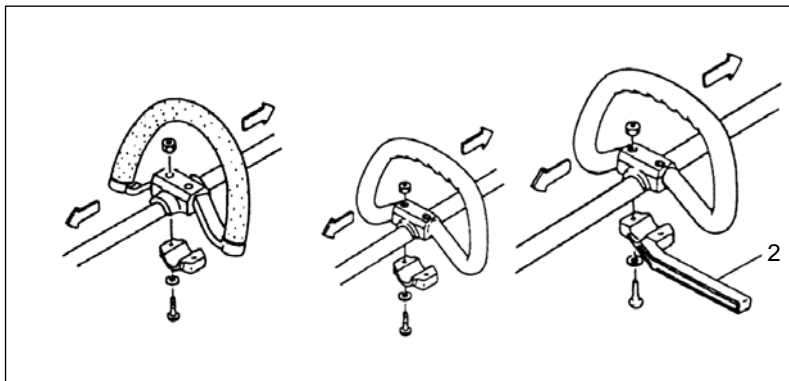


Рис.1-2

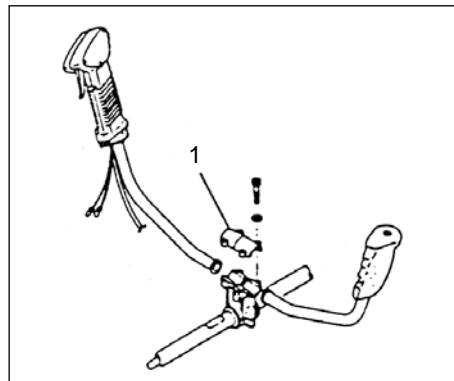


Рис.1-3

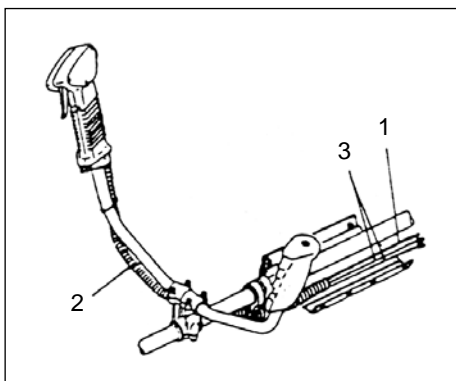


Рис.1-3В

3. Сборочные операции

Приводной вал к двигателю (Рис. 1-1)

Выкрутить стопорный болт трубы (1) приблизительно на десять оборотов, чтобы острый конец болта не мешал установке трубы приводного вала. При установке трубы приводного вала удерживать стопорный болт направленным наружу, чтобы исключить препятствия для внутренней подгонки.

Вставить приводной вал в корпус муфты двигателя таким образом, чтобы отмеченная точка (2) на трубе приводного вала соответствовала корпусу муфты.

ВНИМАНИЕ!

Если вставить приводной вал до отмеченной точки на трубе приводного вала затруднительно, следует повернуть приводной вал за монтажный конец режущего аппарата по часовой стрелке или против неё. Затянуть стопорный болт трубы, центрируя отверстие в трубе вала. Затем прочно затянуть зажимной болт (3).

Монтаж режущего аппарата

1. Прикрепить режущий аппарат на место.
2. Проследить, чтобы стопорный штифт (1) вошёл в установочное отверстие (2) трубы и чтобы труба не отделилась. (Рис. 1-1 В)
3. Прочно затянуть гайку с головкой (3). (Рис. 1-1В)

Монтаж рукоятки

⚠ ПРЕДОСТЕРЕЖЕНИЕ!

Если Вы применяете стальные/твёрдые лезвия на триммерах с прямолинейным валом или режущих инструментах для кустарника, всегда используйте защитную шину (2) и плечевой ремень с петлёй. (Рис.1-2)

Прикрепить рукоятку к трубе приводного вала углом по направлению к двигателю. Перед работой отрегулировать положение до наиболее удобной позиции.

Снять с узла крепёжную скобу рукоятки (1). (Рис.1-3)

Установить рукоятки и слегка затянуть крепёжную скобу рукоятки посредством четырёх болтов. Отрегулировать нужное положение. Затем прочно закрепить болтами.

Поместить стопорные шнуры (3) и дроссельный провод (1) в защитную трубку (2), затем оцепить прокладку. (Рис. 1-3В)

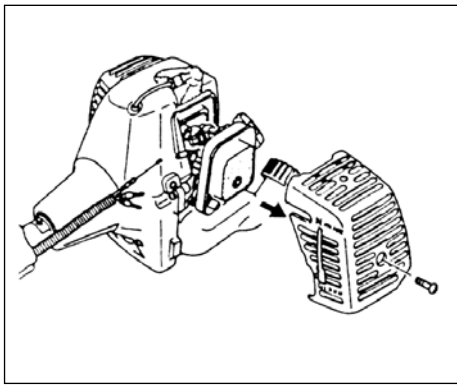


Рис. 1-4

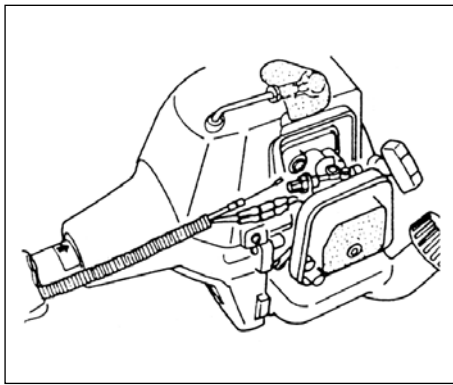


Рис. 1-5

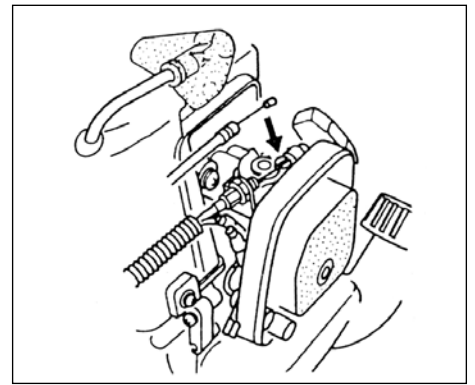


Рис. 1-6

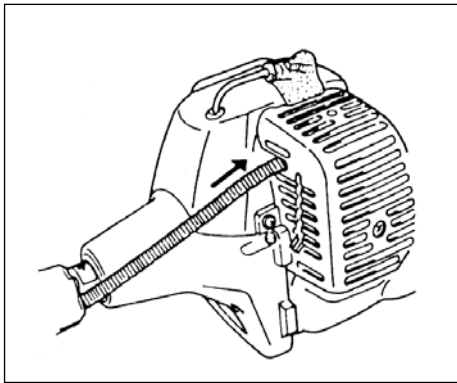


Рис. 1-7

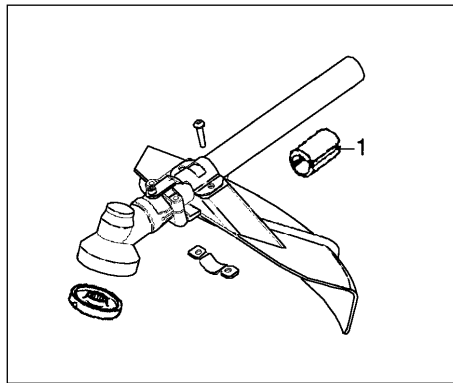


Рис. 1-8

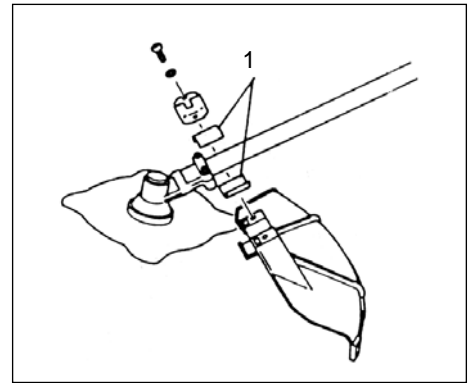


Рис. 1-8В

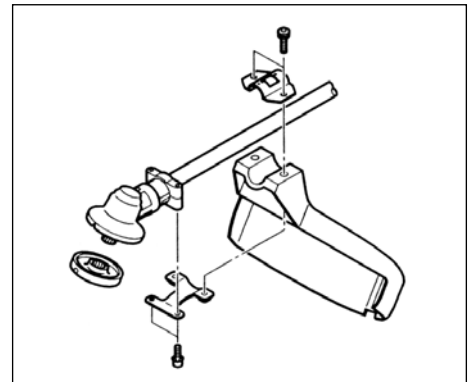


Рис. 1-8Е

Дроссельный провод/стопорный шнур

Снять крышку воздухоочистителя. (Рис. 1-4)
 Присоединить стопорные шнуры. (Рис. 1-5)
 Присоединить конец троса дроссельной заслонки к карбюратору (Рис. 1-6).
 Закрыть дроссельный провод и стопорные шнуры защитной трубкой, присоединённой к крышке воздухоочистителя. (Рис. 1-7)

Монтаж защитного приспособления лезвия

(Рис. 1-8, 8В)

Установить защитное приспособление лезвия и крепёжные распорные детали (1) (если имеются) на трубу приводного вала против угловой передачи. Прочно затянуть крепёжную скобу, чтобы защитное приспособление лезвия не раскачивалось и не смещалось во время эксплуатации.

Установить защитное приспособление лезвия на крепёжную скобу, присоединяющую защитное приспособление к коробке передач посредством двух крепёжных винтов.

ОСТОРОЖНО!

Некоторые защитные приспособления лезвия снабжены острыми ограничителями шнура. Соблюдайте осторожность при обращении с ними.

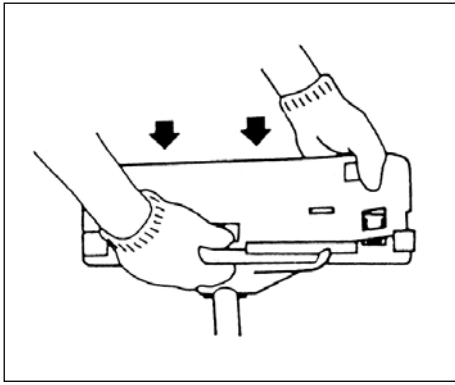


Рис. 1-9

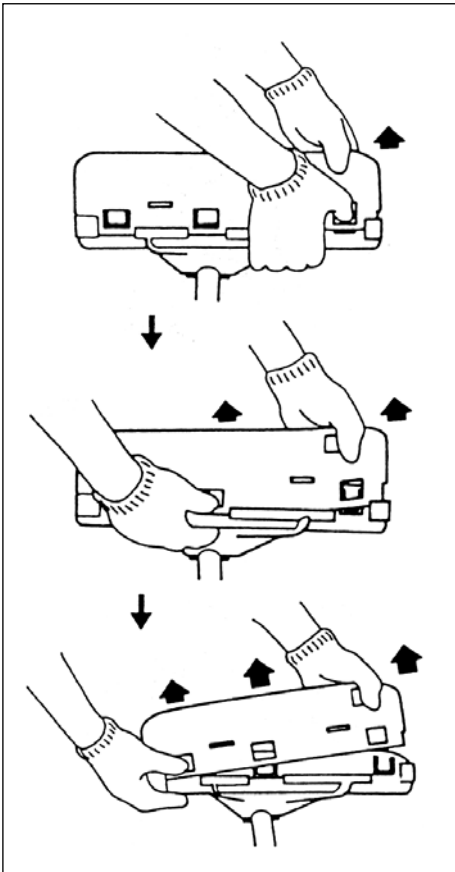


Рис. 1-9С

При использовании триммерной головки (2) с защитным приспособлением лезвия двухсекционного типа на защитное приспособление следует надевать насадку. (Рис. 1-9)

ВНИМАНИЕ!

Если на Вашем устройстве имеется табличка размещения защитного приспособления на трубе приводного вала, следуйте указаниям.

ВНИМАНИЕ!

Чтобы снять насадку защитного приспособления см. чертежи. Наденьте перчатки, поскольку насадка снабжена острым ограничителем шнура, затем по очереди вдавите четыре прямоугольных язычка на защитном приспособлении. (Рис. 1-9 С)

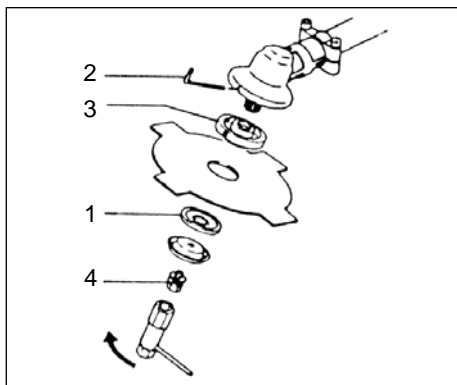


Рис. 1-10

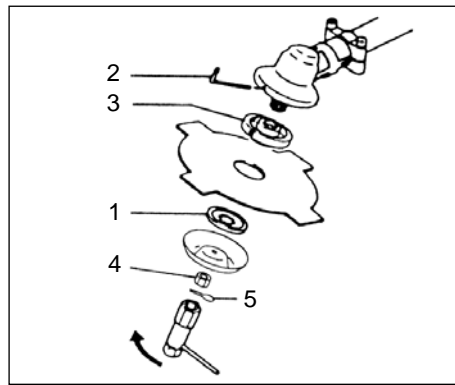


Рис. 1-10B

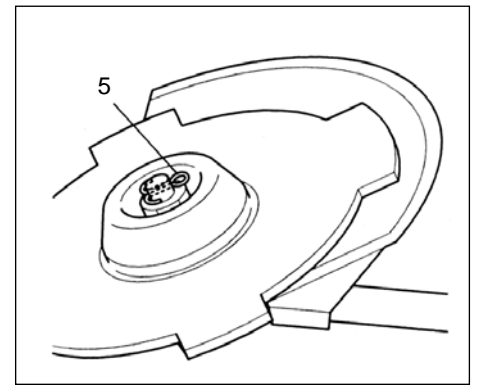


Рис. 1-10C

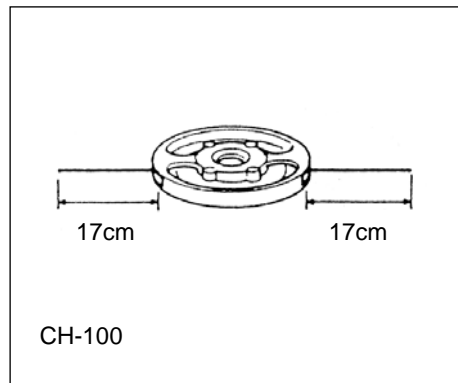


Рис. 1-11

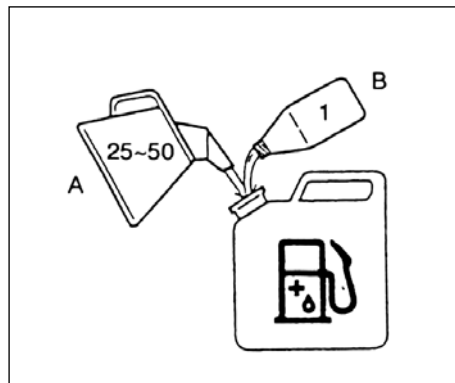


Рис. 2-1

Монтаж режущего лезвия (Рис. 1-10, 10B)

(при наличии)

При монтаже режущего лезвия проследить за тем, чтобы на нём не было трещин или иных повреждений, а также, чтобы режущие кромки были ориентированы в нужном направлении.

ВНИМАНИЕ!

При монтаже шляпки держателя режущего инструмента (1) проследить за тем, чтобы она была установлена вогнутой стороной вверх. Вставить универсальный гаечный ключ (2) в отверстие угловой передачи, чтобы зафиксировать держатель режущего инструмента (3). Следует иметь в виду, что крепёжный болт или гайка режущего инструмента (4) имеют левостороннюю резьбу (по часовой стрелке для выкручивания / против часовой стрелки для затягивания). Затянуть крепёжный болт или гайку накидным гаечным ключом.

ВНИМАНИЕ!

Если Ваше устройство закреплено гайкой и снабжено шплинтом, то при каждом монтаже лезвие необходимо устанавливать с новым шплинтом (5). (Рис. 1-10 C)

ОСТОРОЖНО!

Перед эксплуатацией убедиться, что лезвие установлено надлежащим образом.

ОСТОРОЖНО!

Если Ваше устройство имеет на режущем лезвии защитную крышку, следует проверять её перед эксплуатацией на износ и наличие трещин. При выявлении повреждения или износа крышку необходимо заменить, поскольку она является расходным материалом.

Монтаж режущей головки BRAIN®

ВНИМАНИЕ!

Для монтажа см. Руководство пользователя BRAIN®, прилагаемое к режущей головке BRAIN®.

⚠ ПРЕДОСТЕРЕЖЕНИЕ!

Для головок HITCHI BRAIN или легированной головки HITCHI следует применять только гибкие, неметаллические шнуры, рекомендованные изготовителем. Не применять провод или проволоочные тросы. Они могут переломиться и отлететь.

ВНИМАНИЕ!

При применении легированной головки HITCHI (CH-100) первоначальная длина каждого режущего шнура должна составлять около 17 см. (Рис. 1-11)

4. Рабочие операции

Топливо (Рис. 2-1)

⚠ ПРЕДОСТЕРЕЖЕНИЕ!

Триммер оснащён двухтактным двигателем. Всегда эксплуатировать двигатель на топливе, смешанном с маслом. При заливке топлива или обращении с ним следует обеспечить хорошую вентиляцию.

Топливо

- Всегда использовать марочный 89 октавный неэтилированный бензин.
- Использовать оригинальное двухтактное масло или смесь в пределах от 25:1 до 50:1, соотношение см. на бутылке масла или обратиться к дилеру фирмы HITCHI.
- только для штата Калифорния при 50:1.

- Если оригинальное масло отсутствует, следует применять масло с антиоксидантной присадкой, предназначенное для применения в двухтактном двигателе, работающем на газолине, с воздушным охлаждением (марка JASO FC GRADE OIL или ISO EGC GRADE). Не применять смешанное масло BIA или TCW (двухтактный тип с водяным охлаждением).
- Не использовать многостепенное масло (10 W/30) или отработанное масло.
- Всегда смешивать топливо и масло в отдельном чистом контейнере.

Всегда следует начинать с наполнения половины количества используемого топлива. Затем добавить всё количество масла. Смешать (встряхнуть) топливную смесь. Добавить оставшееся количество топлива. Тщательно смешать (встряхнуть) топливную смесь перед заполнением топливного бака.

Заправка топливом

⚠ ПРЕДОСТЕРЕЖЕНИЕ!

- Перед заправкой топливом всегда отключать двигатель.
- При наполнении топливом открывать топливный бак медленно, чтобы сбросить возможное избыточное давление.
- После заправки осторожно затянуть крышку топливного бака.
- Всегда удалять аппарат минимум на 3 м (10 футов) от зоны топливной заправки, прежде чем запускать его.

Перед заправкой топливом тщательно очистить участок вокруг крышки бака, чтобы в бак не попала грязь. Перед заправкой топливом хорошо смешать топливо путём встряхивания контейнера.

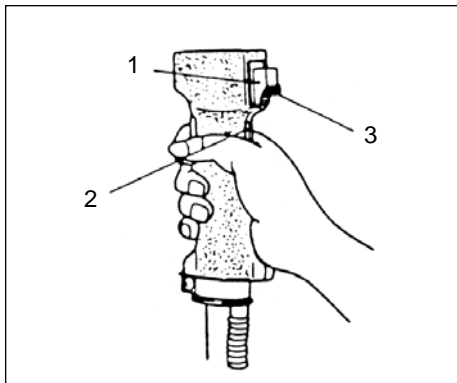


Рис. 2-2

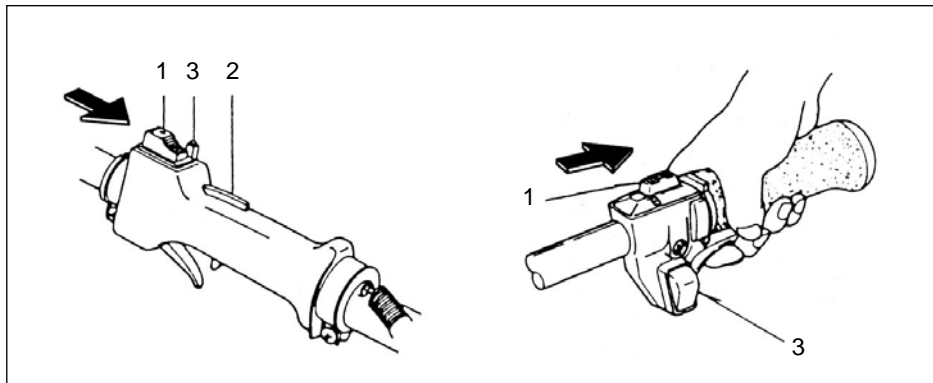


Рис. 2-2В

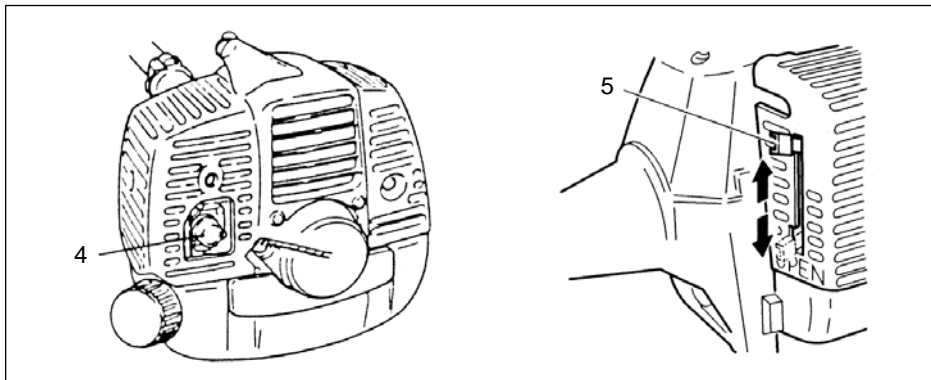


Рис. 2-2С

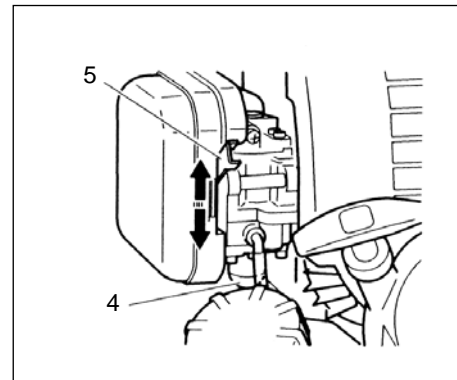


Рис. 2-3

Пуск (Рис 2-2, 2В)

ОСТОРОЖНО!

Перед пуском убедиться, что режущий аппарат никого не заденет.

1. Установить выключатель зажигания (1) в положение ON (ВКЛ). (Рис. 2-2, 2В)
*Несколько раз нажать на заливочный баллон (4), чтобы топливо потекло через баллон или обратную трубку. (При наличии подобного оснащения) (Рис. 2-2С, 3)
2. Если нажат предохранительный рычаг (2), потянуть дроссельное пусковое устройство и нажать блокировочную кнопку (3) (при наличии подобного оснащения), затем сначала медленно отпустить дроссельное пусковое устройство, затем предохранительный рычаг. При этом дроссель заблокируется в пусковом положении.
3. Установить рычаг заслонки в положение CLOSED (ЗАКРЫТО) (5). (Рис. 2-2С, 3)
4. Быстро потянуть возвратный стартер, крепко удерживая рычаг в руке и не позволяя ему защёлкиваться назад.
5. Если Вы услышите, что двигатель начинает заводиться, верните рычаг заслонки в положение RUN (РАБОТА) (открыто). Затем снова быстро потяните возвратный стартер.

ВНИМАНИЕ!

Если двигатель не заводится, повторить операцию 2 – 5 раза.

6. После пуска двигателя, дать ему разогреться в течение 2-3 минут, прежде чем прилагать к нему нагрузку.



Рис 2-4

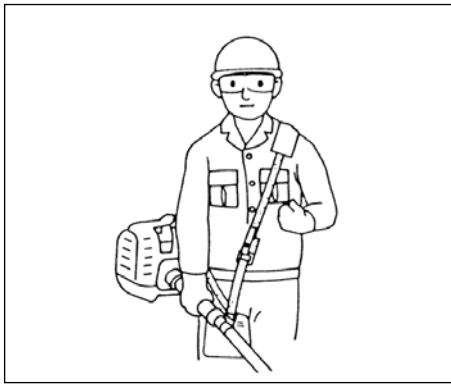


Рис. 2-4B

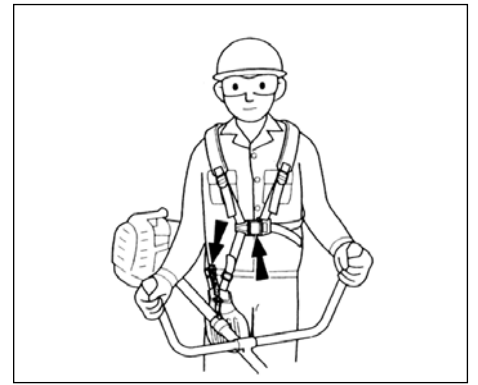


Рис. 2-4C

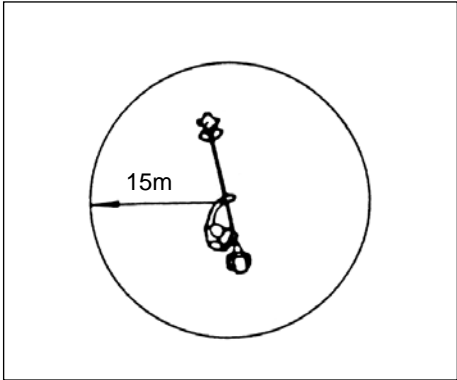


Рис. 2-4D

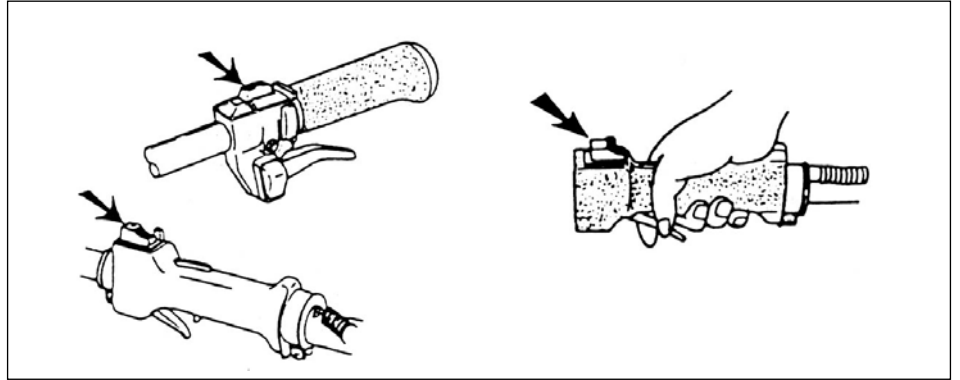


Рис. 2-5

Резка (Рис. 2-4,4B, 4C, 4D)

- При резке двигатель должен работать со скоростью свыше 6500 об/мин. Длительная эксплуатация при низком числе оборотов вызывает преждевременный износ муфты.
- Подрезать траву справа налево.
- При контакте вращающегося лезвия с твёрдым предметом в критической зоне может возникнуть усилие подачи лезвия. В результате этого опасного явления устройство и оператор могут быть резко отброшены в сторону. Это явление называется **УСИЛИЕМ ПОДАЧИ ЛЕЗВИЯ**. При этом оператор может потерять контроль над устройством, что влечёт за собой серьёзные или смертельные травмы. Усилие подачи лезвия наиболее вероятно на участках, где затруднён обзор подрезаемого материала.
- Носить ремень, как показано на рисунке (при наличии). Лезвие вращается по часовой стрелке, поэтому для эффективной стрижки рекомендуется эксплуатировать устройство справа налево. Не допускать наблюдающих лиц на расстояние ближе 15 м (50 футов) до рабочей зоны.

ВНИМАНИЕ!

В случае опасности нажать на кнопку быстрого отключения или потянуть аварийный разъединительный клапан (при наличии). (Рис. 2-4C)

⚠ ПРЕДОСТЕРЕЖЕНИЕ!

Если режущий аппарат натолкнется на камни или другие предметы, отключить двигатель и проверить, не повредился ли аппарат и соответствующие детали. Если трава или стебли намотались на аппарат, отключить двигатель и аппарат и удалить препятствие.

Остановка (Рис. 2-5)

- Снизить скорость двигателя и в течение нескольких минут дать поработать на холостом ходу, затем повернуть выключатель зажигания.

⚠ ПРЕДОСТЕРЕЖЕНИЕ!

Режущий аппарат может поранить, когда он продолжает вращаться после отключения двигателя или выключателя источника питания. Если устройство отключено, убедитесь, что режущий аппарат остановился, прежде чем положить устройство.

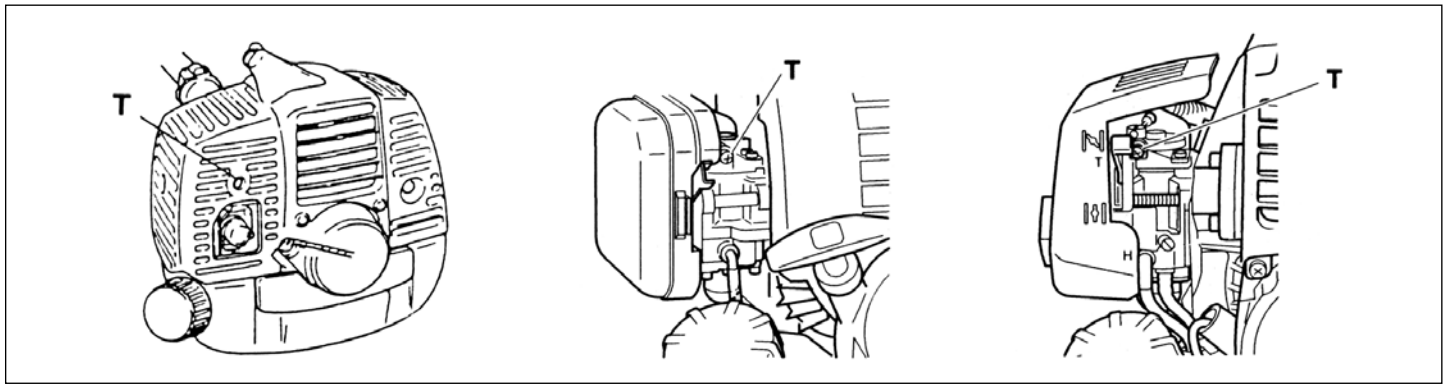


Рис. 3-1

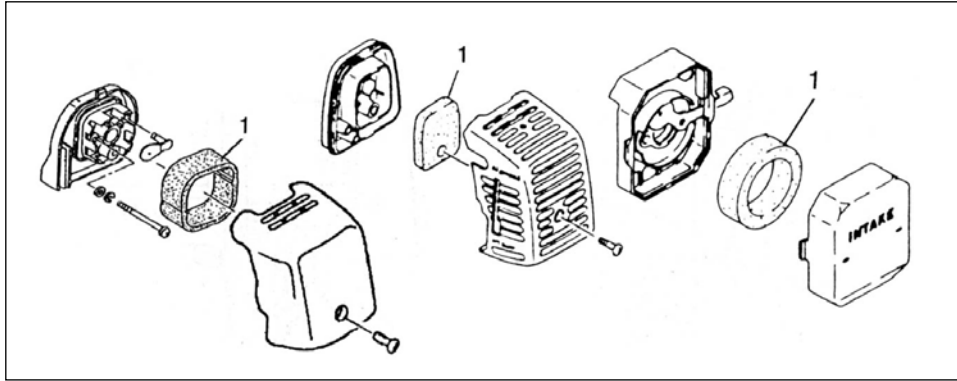


Рис. 3-2

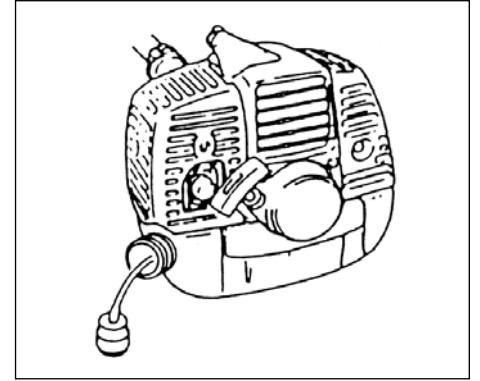


Рис. 3-2В

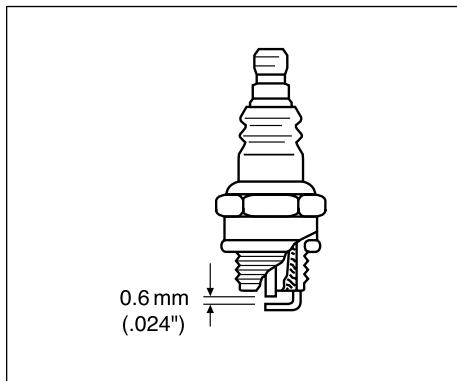


Рис. 3-3

5. Техобслуживание

ТЕХОБСЛУЖИВАНИЕ. ЗАМЕНА ИЛИ РЕМОНТ УСТРОЙСТВ И СИСТЕМ ДЛЯ СНИЖЕНИЯ ТОКСИЧНОСТИ ВЫХОЛОВ МОЖЕТ ВЫПОЛНЯТЬСЯ В РЕМОНТНОЙ МАСТЕРСКОЙ ДЛЯ ДВИГАТЕЛЕЙ ИЛИ ИНДИВИДУАЛЬНО.

Регулировка карбюратора (Рис. 3-1)

⚠ ПРЕДОСТЕРЕЖЕНИЕ!

Режущий аппарат может вращаться во время регулировки карбюратора.

⚠ ПРЕДОСТЕРЕЖЕНИЕ!

Не запускать двигатель без полностью установленного корпуса муфты и смонтированной трубы. Иначе муфта может отсоединиться и причинить телесный вред. В карбюраторе топливо смешивается с воздухом. Карбюратор отрегулирован во время пробного пуска на заводе. Дополнительную регулировку можно производиться в соответствии с климатом и высотой над уровнем моря. Карбюратор имеет одну возможность регулировки:
T = Регулировочный винт холостого хода.

Регулировка холостого хода (T)

Проверить чистоту воздушного фильтра. Если скорость холостого хода верная, режущий аппарат не вращается. Если требуется регулировка, закручивать (по часовой стрелке) T-винт при работающем двигателе, чтобы режущий аппарат начал вращаться. Откручивать (против часовой стрелки) винт, чтобы режущий аппарат остановился. Вы

добились правильной скорости холостого хода, если двигатель плавно работает во всех положениях ниже числа оборотов, когда режущий аппарат начинает вращаться. Если режущий аппарат всё ещё вращается после регулировки скорости холостого хода, обратитесь к сервисному дилеру.

ВНИМАНИЕ!

Стандартное число оборотов холостого хода составляет 2500-3000 об/мин.

⚠ ПРЕДОСТЕРЕЖЕНИЕ!

Если двигатель работает на холостом ходу, режущий аппарат ни в коем случае не должен вращаться.

Внимание !

Некоторые модели, проданные в областях с высокими требованиями в отношении регламентирования газообразных выбросов, не имеют карбюраторных настроек высокой и низкой скорости. Подобные настройки позволяют двигателю работать за рамками контрольных пределов газообразных выбросов. Для этих моделей единственной карбюраторной настройкой является скорость холостого хода.

Для моделей, оснащённых настройками низкой и высокой скорости; карбюраторы предварительно настроены на заводе-изготовителе. Незначительные настройки могут оптимизировать работу, основываясь на климате, высоте над уровнем моря и т.п. Не вращать настроечные винты в сторону увеличения больше, чем на 90 градусов, поскольку из-за неверной настройки может повредиться двигатель. Если Вы не знакомы с этим типом настройки – обратитесь за консультацией к дилеру компании HITACHI.

Воздушный фильтр (Рис. 3-2)

Воздушный фильтр должен быть очищен от пыли и грязи, чтобы избежать:

- Неполадок карбюратора.
- Проблем при пуске.
- Снижения мощности двигателя.
- Излишнего износа деталей двигателя.
- Ненормального расхода топлива.

Ежедневно очищайте воздушный фильтр, либо чаще, если работа выполняется в пыльной области.

Чистка воздушного фильтра

Демонтировать крышку воздушного фильтра и фильтр (1). Промыть его в тёплом мыльном растворе. Перед повторной сборкой проверить, чтобы фильтр был сухим. Воздушный фильтр, используемый некоторое время, не может быть очищен полностью. Поэтому его следует регулярно заменять на новый. Всегда необходимо заменять повреждённый фильтр.

Топливный фильтр (Рис. 3-2В)

Полностью слить топливо из топливного бака и извлечь из бака линию топливного фильтра. Вытащить фильтрующий элемент из держателя и промыть его тёплой водой с моющим средством.

После этого тщательно смыть остатки моющего средства. Сжать, не выкручивая, чтобы удалить воду и просушить элемент на воздухе.

ВНИМАНИЕ!

Если фильтр твёрдый по причине пыли и грязи, заменить его.

Свеча зажигания (Рис. 3-3)

На состояние свечи зажигания влияют:

- Неверная регулировка карбюратора.
- Неверно составленная топливная смесь (слишком много масла в газолине)
- Грязный воздушный фильтр.
- Неблагоприятные условия работы (такие, как холодная погода).

Эти факторы вызывают отложения на электродах свечи зажигания, что приводит к неполадкам и затруднениям при пуске. Если мощность двигателя снижается, он трудно запускается или плохо работает на холостом ходу, нужно всегда сначала проверить свечу зажигания. Если свеча зажигания грязная, необходимо её очистить и проверить межэлектродный зазор. При необходимости выполнить повторную регулировку. Правильный зазор составляет 0.6 мм (.024"). Свечу зажигания надлежит заменять через 100 рабочих часов или раньше, если электроды сильно эродированы.

ВНИМАНИЕ!

В некоторых областях местный закон требует применять резисторную свечу зажигания для подавления сигналов зажигания. Если эта машина изначально оснащена резисторной свечой зажигания, для замены следует использовать такой же тип свечи зажигания.

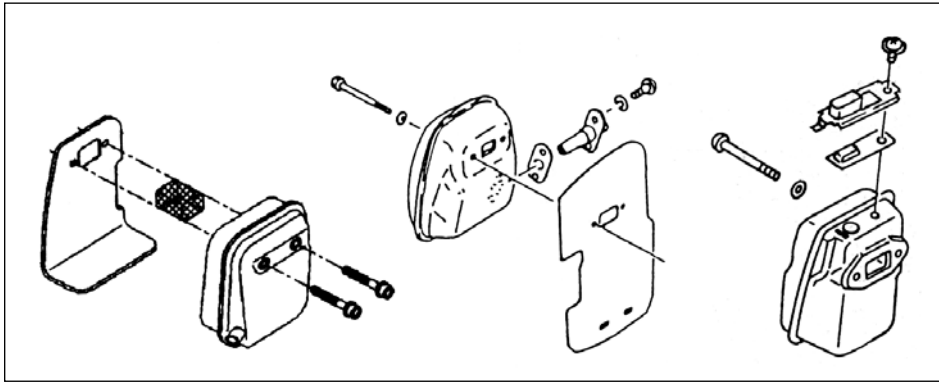


Рис. 3-4

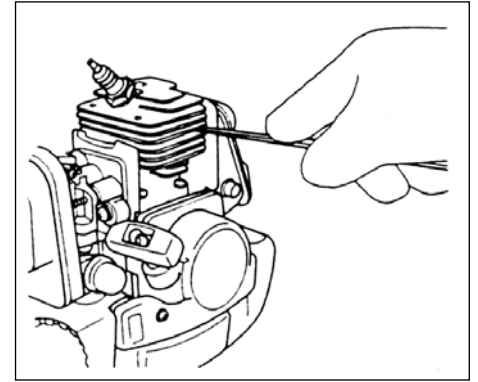


Рис. 3-4B

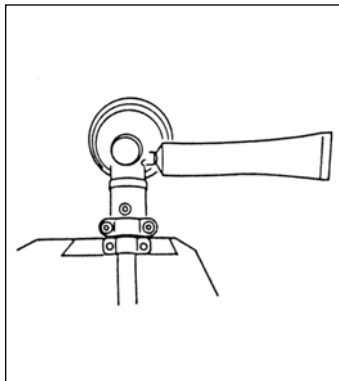


Рис. 3-5

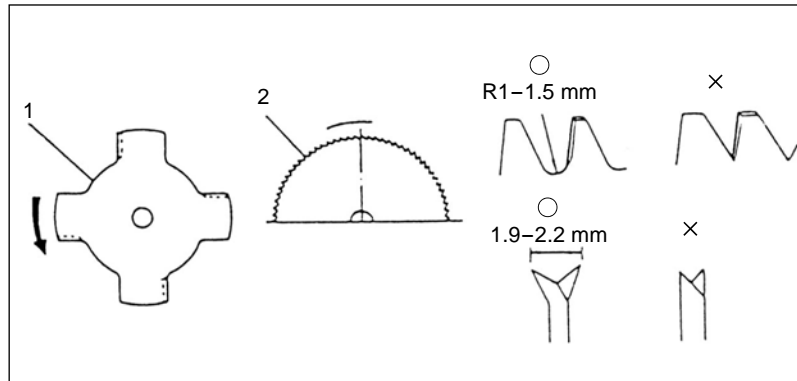


Рис. 3-6

Глушитель (Рис. 3-4)

Через каждые 100 часов эксплуатации демонтировать глушитель и вычищать излишний нагар из выхлопного отверстия или входа глушителя.

Цилиндр (охлаждение двигателя) (Рис. 3-4B)

Двигатель охлаждается воздухом, поэтому воздух должен свободно циркулировать вокруг двигателя и охлаждающих рёбер на головке цилиндра, чтобы предотвратить перегрев.

Каждые 100 рабочих часов или раз в год (чаще, если требуют условия) очищать рёбра и наружные поверхности двигателя от пыли, грязи и масляных отложений, которые затрудняют охлаждение.

ВНИМАНИЕ!

Не эксплуатировать двигатель при демонтированном кожухе двигателя или защитном приспособлении глушителя, поскольку это может вызвать перегрев и повреждение двигателя.

Угловая передача (Рис. 3-5B)

Каждые 50 часов эксплуатации проверять уровень смазки в угловой передаче или углом зубчатом зацеплении путём удаления заправочной пробки для смазки на боковой стороне угловой передачи. Если на торцах зубчатых колёс не видно смазки, заполнить передачу на 3/4 качественной, универсальной литиевой смазкой. Не заполнять передачу полностью.

Лезвие (Рис. 3-6)

⚠ ПРЕДОСТЕРЕЖЕНИЕ!

Надевать защитные перчатки при обращении с лезвием или при выполнении его техобслуживания.

- Применять острое лезвие. Тупое лезвие может зацепляться и ударять. Заменять крепёжную гайку, если она повреждена или трудно затягивается.
- При замене лезвия следует закупить лезвие, рекомендованное компанией HPTACHI, с крепёжным отверстием 25.4 мм (один дюйм).
- При установке пильного полотна (2), всегда направлять штампованную сторону вверх. В случае применения лезвия с 4 зубцами (1), его можно использовать на любой стороне.
- Применять лезвие, соответствующее типу работы.
- При замене лезвия использовать подходящие инструменты.
- Если режущие кромки затупели, необходимо их заточить или отшлифовать, как показано на рисунке. Неверная заточка может вызвать чрезмерную вибрацию
- Следует списывать изогнутые, деформированные, треснувшие, поломанные лезвия.

ВНИМАНИЕ!

При заточке лезвия необходимо сохранить первоначальную форму радиуса на базе зубца, чтобы избежать трещин.

График техобслуживания

Ниже приведены некоторые общие инструкции по техобслуживанию. Для дальнейшей информации обратитесь к сервисному дилеру.

Ежедневное техобслуживание

- Чистка наружной поверхности аппарата живой изгороди.
- Проверять целостность ремня.
- Проверка предохранительного элемента лезвия на наличие повреждений или трещин. Замена предохранительного элемента в случае ударов или трещин. Проверка остроты и исправности лезвия. Проверка прочности посадки гайки лезвия.
- Проверять режущий аппарат на надлежащее центрирование, остроту и отсутствие трещин. Режущий аппарат с нарушенным центрированием имеет сильную вибрацию и может повредить устройство.
- Проверять прочность посадки гайки режущего аппарата.
- Проверка целостности защитного устройства для транспортировки лезвия и прочности его крепления
- Проверка прочности посадки гаек и винтов.





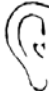

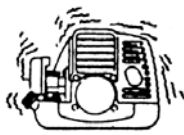

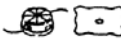
Еженедельное техобслуживание

- Проверка стартера, особенно, шнура и возвратной пружины.
- Чистка наружной поверхности свечи зажигания.
- Демонтировать её и проверить межэлектродный зазор. Отрегулировать его на 0.6 мм или заменить свечу зажигания.
- Чистка охлаждающих рёбер цилиндра и проверка чистоты воздухозаборника на стартере.
- Проверить, заполнена ли коробка передач смазкой.
- Чистка воздушного фильтра.





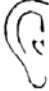

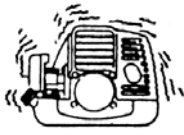
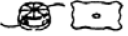

Ежемесячное техобслуживание

- Промывка топливного бака gasolineом.
- Чистка наружной поверхности карбюратора и пространства вокруг него.
- Чистка вентилятора и пространства вокруг него.

6. Спецификации

	MODEL CG25EJ (L)/CG25EJ (SL) CG25EJ /CG25EJ (S) CG25EJ (SLD)	CG28EJ (L)/CG28EJ (SL) CG28EJ
		
Объём двигателя (мл)	24 (1.46 cu. in.)	28 (1.71 cu. in.)
		
Свеча зажигания	CHAMPION CJ8 или NGK BMR6A или эквивалент	CHAMPION CJ6Y или RCJ6Y или эквивалент
		
Ёмкость топливного бака (л).....	0.50 (16.9 fl. oz)	0.70 (23.6 fl. oz)
		
Сухая масса (кг)	CG25EJ (L)..... 4.4 (9.7 lbs) CG25EJ (SL)..... 4.56 (10.1 lbs) CG25EJ..... 4.6 (10.1 lbs) CG25EJ (S)..... 4.76 (10.5 lbs) CG25EJ (SLD)..... 5.6 (12.3 lbs)	CG28EJ (L).....5.4 (11.9 lbs) CG28EJ (SL).....5.56 (12.3 lbs) CG28EJ.....5.6 (12.3 lbs)
		
Уровень давления звука (дБ(A))	LpA (EN 27917) CG25EJ (L)/CG25EJ (SL)....96.8 CG25EJ /CG25EJ (S).....100.6 CG25EJ (SLD).....96.8	CG28EJ (L)/CG28EJ (SL)....95.0 CG28EJ.....95.5
		
Уровень мощности звука (дБ(A))....	LwA 112	116
		
Уровень вибрации (m/s ²)(ISO 7916)	CG25EJ (SDL)	
		
Передняя рукоятка	3.0 3.2 4.4	2.6 4.1
Задняя рукоятка	4.4 4.8 5.0	3.5 5.6
Левая рукоятка.....	3.3 3.6	2.4 2.5
Правая рукоятка.....	2.7 3.7	1.9 2.0

ВНИМАНИЕ : Эквивалентный уровень шума/вибрации вычисляется в качестве взвешенной по времени энергии, общей для уровней шума/вибрации при различных рабочих условиях, при следующем распределении по времени: холостой ход 1/2, разгон 1/2.
*Все данные подлежат изменению без уведомления.

	MODEL	CG33EJ (L) CG33EJ /CG33EJ (S)	CG27EJ (SL)/CG27EJ (S) CG27EJ (SLD)
			
Объём двигателя (мл)		33 (2.00 cu. in.)	27 (1.65 cu. in.)
			
Свеча зажигания	CHAMPION CJ6Y или RCJ6Y или эквивалент		CHAMPION RCJ8Y или эквивалент
			
Ёмкость топливного бака (л).....		0.70 (23.6 fl. oz)	0.67 (22.8 fl. oz)
			
Сухая масса (кг).....	CG33EJ (L)5.5 (12.1 lbs) CG33EJ5.7 (12.5 lbs) CG33EJ (S)5.86 (12.9 lbs)		CG27EJ (SL)5.5 (12.12 lbs) CG27EJ (S)6.0 (13.22 lbs) CG27EJ (SLD)5.7 (12.56 lbs)
			
Уровень давления звука (дБ(A)) .. LpA (EN 27917)	CG33EJ (L)94.5 CG33EJ /CG33EJ (S)94.5		CG27EJ (SL)97.5 CG27EJ (S)98.3 CG27EJ (SLD)97.5
			
Уровень мощности звука (дБ(A)).... LwA	116		116
			
Уровень вибрации (m/s ²)(ISO 7916)			CG27EJ (SLD)
			
Передняя рукоятка	5.4 5.2		5.8 2.1 5.7
Задняя рукоятка	3.7 7.1		3.2 4.5 3.1
Левая рукоятка.....	1.8 2.1		4.6 2.3
Правая рукоятка.....	2.5 2.9		3.4 2.0

ВНИМАНИЕ : Эквивалентный уровень шума/вибрации вычисляется в качестве взвешенной по времени энергии, общей для уровней шума/вибрации при различных рабочих условиях, при следующем распределении по времени: холостой ход 1/2, разгон 1/2.
*Все данные подлежат изменению без уведомления.

 **Hitachi Koki Co., Ltd.**