

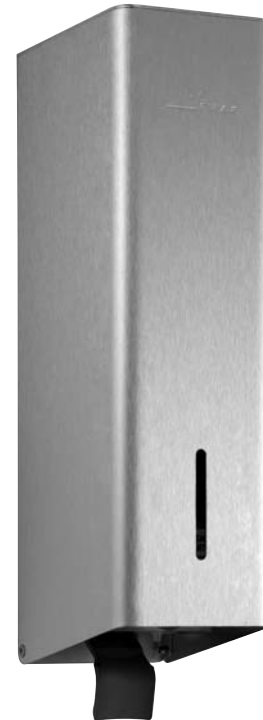
DISINFECTANT DISPENSER PP102-7



80 x 298 x 120 mm

950 ml tank

- Disinfectant dispenser in robust, germ-reducing and easy-care stainless steel (AISI 316L).
- All-stainless steel housing with rounded vertical corners. Visible surfaces satin finished and brushed. Further available surfaces: see below.
- One-hand operated disinfectant pump with 950 ml tank.
- Tank with large, lockable refill opening.
- Designed for standard disinfectants for hands.
- Inspection slot to indicate fill level.
- Accessible for refilling through lockable, hinged housing.
- Keyed alike cylinder lock in corrosion-resistant zinc die-casting.
- Wear parts can be replaced as modules.
- Mounting: With four screws through key holes and one optional anti-theft hole in the back wall.
- Delivery includes fixing material.
- Weight, including single package: 1.3 kg

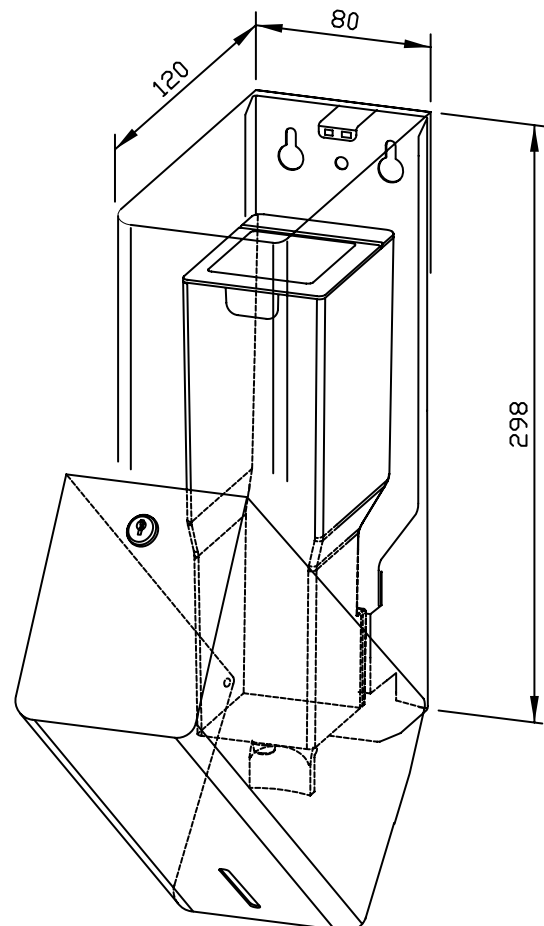


Suggested text for specifications:

Disinfectant dispenser in stainless steel (AISI 316L) for surface mounting. All-stainless steel housing with rounded vertical corners. Visible surfaces satin finished and brushed. One-hand operated disinfectant pump with 1100-ml tank. Designed for standard disinfectants for hands. Inspection slot to indicate fill level. Accessible for refilling through lockable, hinged housing. Keyed alike cylinder lock in corrosion-resistant zinc die-casting. Delivery includes fixing material.

Dimensions: 80 x 298 x 120 mm

Article No. PP102-7



Options	ID No.
Receptacle for WP/PP102/103	923 137

Available surfaces	ID No.
satin finished (standard)	727 334
highly polished	731 334
(coloured) plastic powder-coating	728 334

Ernst Wagner GmbH & Co. KG

Ernst-Abbe-Straße 21 · D-72770 Reutlingen · Tel.: +49712151539-0 · Fax: -20
info@wagner-ewar.de · www.wagner-ewar.de

WAGNER
EWAR