



WE ARE IB

Collection

**ELIO**

Article

**E0226\_2**

Description

**Wall monted washbasin mixer**

Box Dimensions

**340x180x70 mm**

Weight

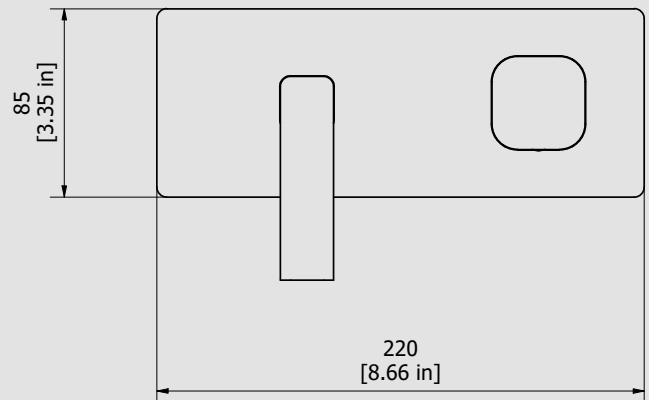
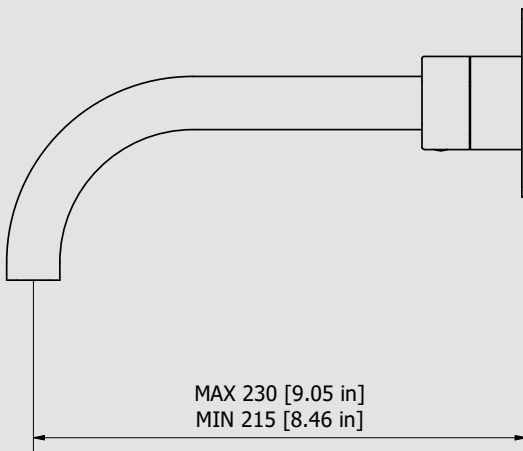
**2.5 kg**

Finishes

- **CC** CHROME
- **PL** PLATINUM
- **SS** BRUSHED NICKEL
- **ON** NATURAL BRASS
- **BO** MATT WHITE
- **NP** MATT BLACK
- **CF** BLACK CHROME
- **CS** BRUSHED BLACK CHROME
- **II** PALE GOLD
- **IS** BRUSHED PALE GOLD
- **RS** ROSE GOLD
- **SR** BRUSHED ROSE GOLD
- **OO** GOLD
- **OS** BRUSHED GOLD
- **RR** ANTIQUE COPPER
- **BB** ANTIQUE BRONZE



Dimensions



Cartridge

**Ø35 ceramic cartridge**

Threaded fitting

**G1/2" male**

Aerator

**M16.5x1**

Flow Rate (+/-10%)

**1 BAR  
12.3 l/m**

**2 BAR  
17.9 l/m**

**3 BAR  
22.1 l/m**

Production

**Main body is a machined from a solid pieces**

Material

**BRASS  
According to CuZn42 (CW510L)  
Max Lead content: 0.2%**

IB RUBINETTERIE s.p.a  
via dei Pianotti 3/5  
25068 Sarezzo (BS) - Italy -

T. +39 030 802101  
F. +39 030 803097  
info@weareib.it

P.IVA 01785230986  
capitale sociale  
€420.000,00 i.v.

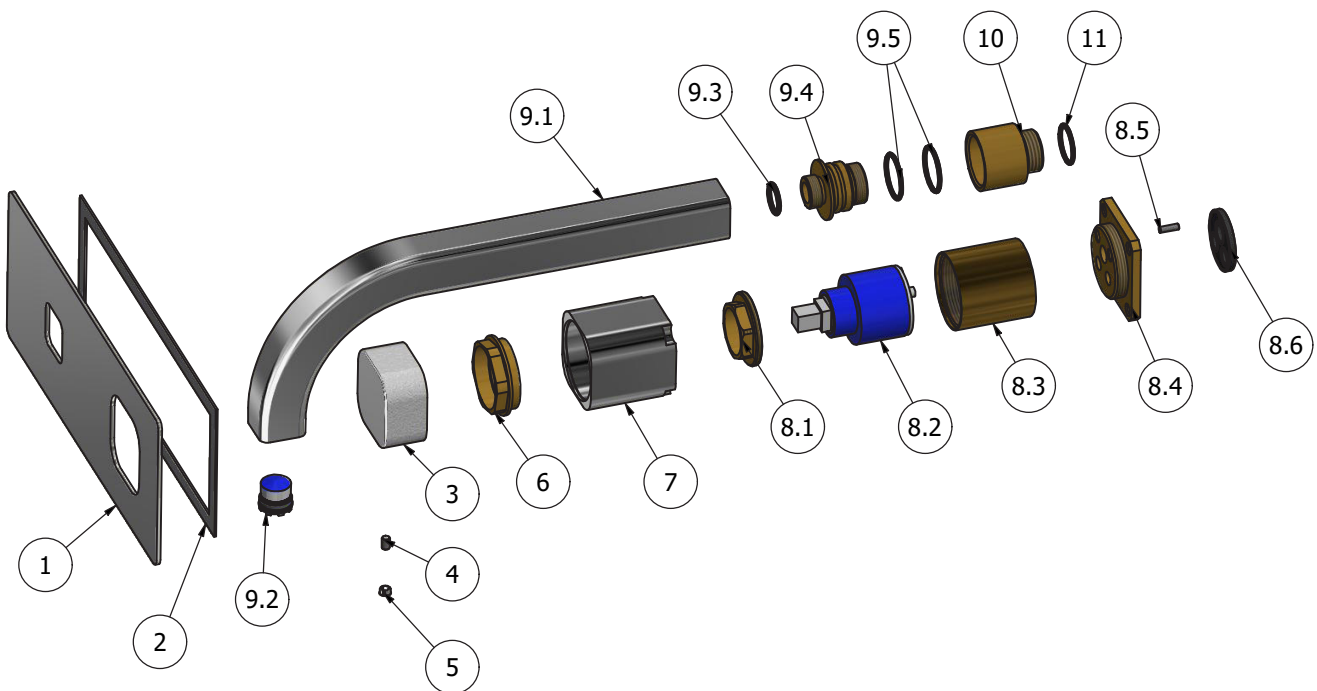
[www.weareib.it](http://www.weareib.it)





WE ARE IB

Parts list			
ELEM.	CODE	DESCRIPTION	QTÀ
1	AC0016825	Plate 220x85x2	1
2	AQ0014142	Rubber packing double-sided tape 200x75x8x1	1
3	AC0016802	Handle 42x42 H21.5 coral	1
4	AQ0001081	Grubscrew M4x6 flat point	1
5	AQ0012203	Plug	1
6	AS0016807	Ring Ø40 M30x1.5 F.	1
7	AC0016809	Square ring 42x42 H44.2	1
8	CP300CCXN_19	Pre assemble mixer 47x47 x recessed	1
8.1	AS0016806	Cartridge ring nut	1
8.2	AQ0013271	Ceramic cartiridge KRJ 35A 9x9	1
8.3	AS0016810	Ring for recessed shower mixer	1
8.4	AS0013040	Insert 47x47 H11 M37x1.5	1
8.5	AQ0015357	Grubscrew M3x10 flat point	1
8.6	AQ0015684	Gasket Ø31 H3.5 Ø7 Ø7.5	1
9	CPEO226CC-1	Preassembled spout	1
9.1	AC0016826	Spout 24X24 L243 90gr	1
9.2	AQ0014729	Aerator cachè M16.5x1 neostrahl (01.5175.000)	1
9.3	AQ0010857	OR 12.5x2 NBR 70 SH	1
9.4	AS0016999	Spout insert Ø30 M20x1M M16x1M H29	1
9.5	AQ0001400	OR 20.35x1.78 NBR 70 SH	2
10	AS0016995	Insert Ø30 G1/2" M H32	1
11	AQ0004630	OR 17.16x1.78 NBR 70 SH	1





## WARRANTY

All IB Rubinetterie SpA products are warranted for 10 years from the date of purchase, for the following cases:

- Defects of casting, porosity and chrome plating.
- Operating defects caused by incorrect fabrication.

The warranty provides for repair or replacement of products with fabrication defects recognized by our technical office. There is no other type of compensation anche the merchandise must be returned FOB our warehouse. The warranty only cover surface defects (scatches, dings, etc.) on fitting that have not been installed and used, returned in its original packaging with all components. O-ring, gasket seals and components subject to wear proportional to use are warranted for 2 years.

### The warranty is void in the following cases:

Error installing and putting the product into service.

Deterioration of finished surfaces due to use of cleaning products containing acids or abrasive substances. Deterioration of surface with finishes other than chrome plating. Their durability is, in fact, dependent on the user's care and gentleness of use.

Deterioration of the fitting due incorrect installation.

Improper repairs and maintenance performed without the company's prior authorization.

The warranty from IB Rubinetterie SpA is not renewable.

### Cleaning

We recommended cleaning the finish surfaces with water and soap, using a soft cloth.

Do not use detergents that contain hydrochloric acid or abrasive substances.

