

# INSTALLATION GUIDELINES



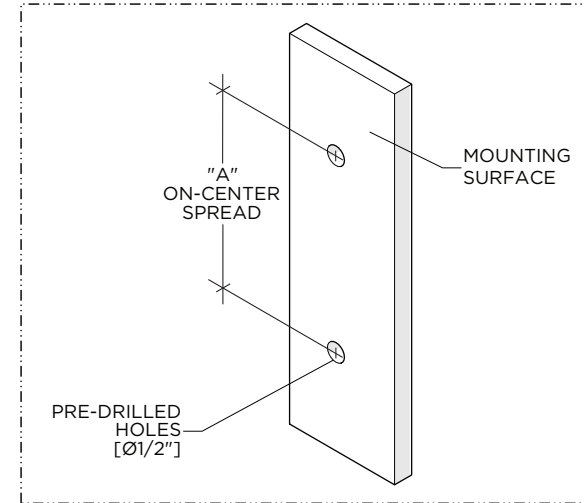
**STYLE No.** RGHW08  
Regulator 8" Shower Pull

**IMPORTANT:**

- To ensure this product is installed properly, you must read and follow these guidelines.
- The owner/user of this product must keep this information for further reference.
- This product must be installed by a professional licensed contractor.
- Inspect this product to ensure you have all the parts required for proper installation.
- To avoid damaging the product, do **NOT** use power tools during installation.
- If further assistance is required, please contact Product Support at 1-800-927-2120 Monday through Friday, 8am - 6pm EST.

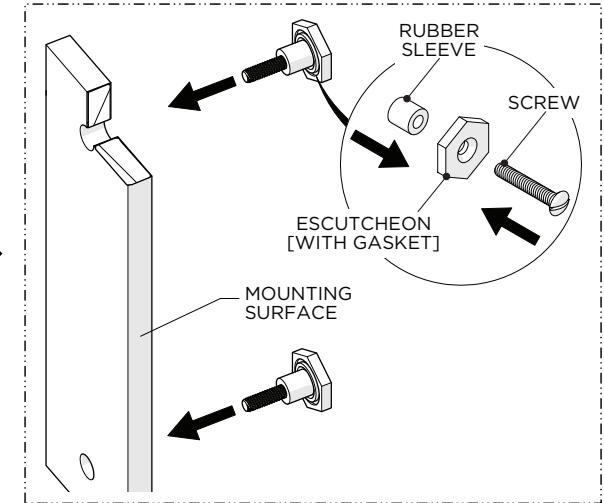
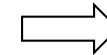
**TECHNICAL DETAILS:**

DIM	VALUE
A	8" [203mm]

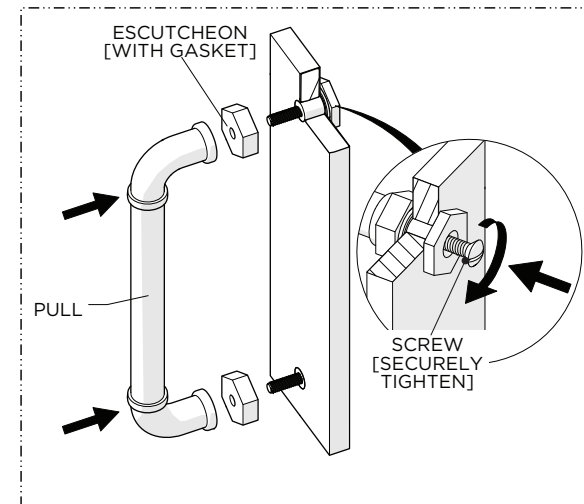


1. Drill two 1/2" diameter holes on the mounting surface at the required on-center spread (DIM A).

**NOTE:** Ensure the holes are level and verify the on-center spread (DIM A).



2. Pre-assembly the ESCUTCHEONS and RUBBER SLEEVES onto the SCREWS then insert the RUBBER SLEEVES into the pre-drilled holes.



3. Slide the ESCUTCHEONS onto the SCREWS and align the holes on the PULL then thread and securely tighten the SCREWS into the PULL.