

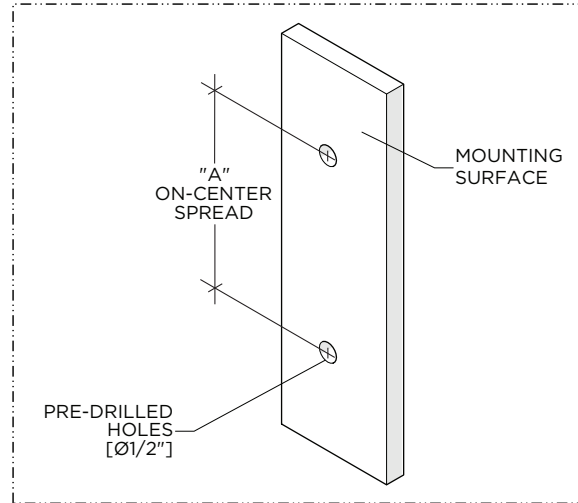
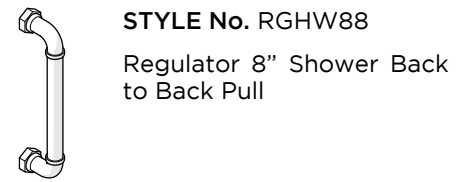
INSTALLATION GUIDELINES

IMPORTANT:

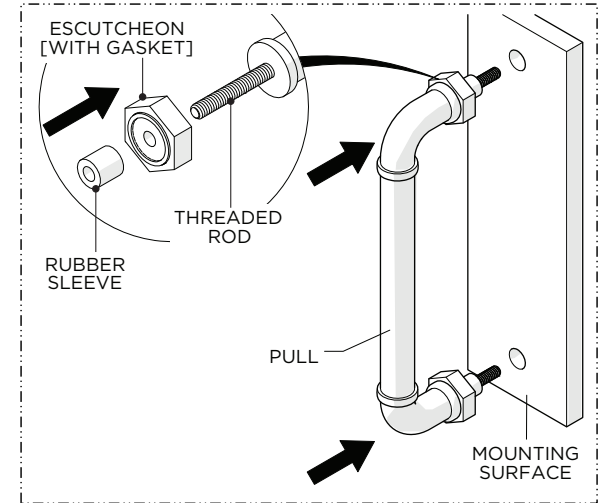
- To ensure this product is installed properly, you must read and follow these guidelines.
- The owner/user of this product must keep this information for further reference.
- This product must be installed by a professional licensed contractor.
- Inspect this product to ensure you have all the parts required for proper installation.
- To avoid damaging the product, do **NOT** use power tools during installation.
- If further assistance is required, please contact Product Support at 1-800-927-2120 Monday through Friday, 8am - 6pm EST.

TECHNICAL DETAILS:

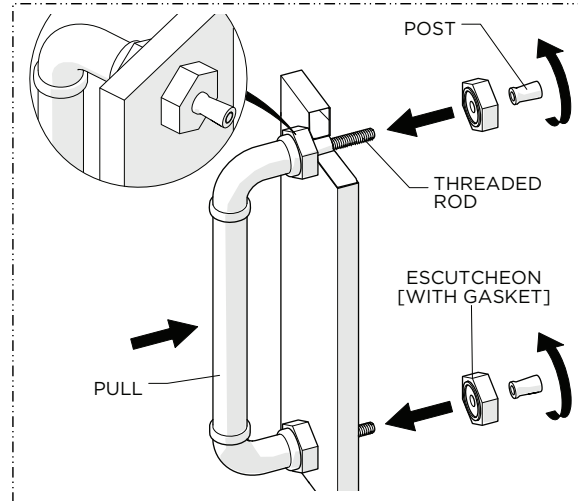
DIM	VALUE
A	8" [203mm]



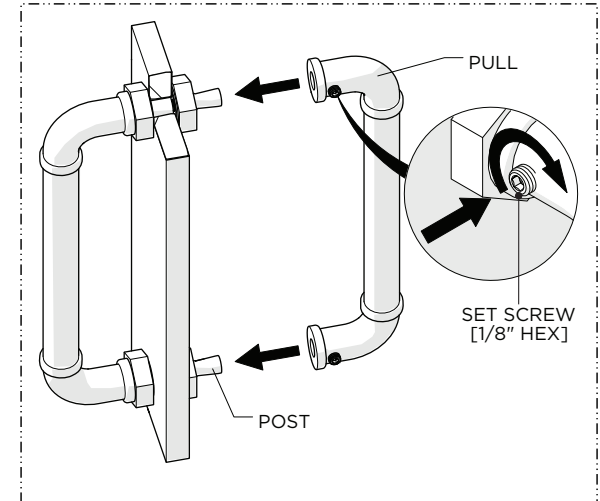
1. Drill two 1/2" diameter holes on the mounting surface at the required on-center spread (DIM A).
- NOTE:** Ensure the holes are level and verify the on-center spread (DIM A).



2. Pre-assemble the ESCUTCHEONS and RUBBER SLEEVES onto the THREADED RODS on the PULL then insert the RUBBER SLEEVES into the pre-drilled holes.



3. Slide the ESCUTCHEONS onto the THREADED RODS then thread and securely tighten the RETAINING POSTS.
- NOTE:** The POSTS should securely hold the ESCUTCHEONS against the mounting surface.



4. Slide the 2nd PULL onto the RETAINING POSTS until it contacts the ESCUTCHEONS then thread and securely tighten the SET SCREWS.
- NOTE:** The 2nd PULL can be installed with the SET SCREWS facing in either direction as desired.