

SET LIVING SQUARE

Countertop basin / cutable

81643.5



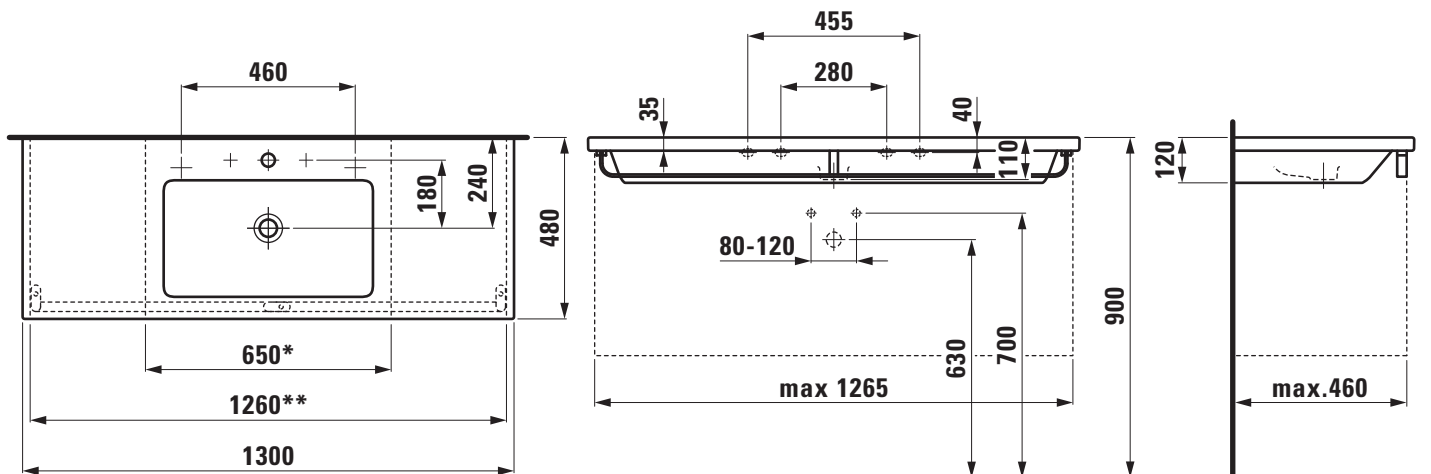
TECHNICAL DATA

Order no.	81643.5	Special specification	3 tap holes, 1 hole left for soap dispenser Charge 808 – with overflow Charge 820 – without overflow
Certified to	EN 14688		3 tap holes, 1 hole right for soap dispenser Charge 809 – with overflow Charge 821 – without overflow
Dimensions	1300 x 480 mm	Weight	30,0 kg
Inside dimensions of the basin	540 x 295 mm	Accessories excl.	Towel rail, order no. 38143.4
Specification	Always to be fixed to the wall. Cutable to 650 mm, with towel rail to 1260 mm Charge 104 – 1 centre tap hole, with overflow	Mounting acc. excl.	2x Mounting set M10 x 140 mm, order no. 89988.2
Special specification	Charge 111 – 1 centre tap hole, without overflow Charge 108 – 3 tap holes, with overflow Charge 136 – 3 tap holes, distance 8 inches, with overflow Charge 158 – 3 tap holes, without overflow Charge 109 – without tap holes, with overflow Charge 112 – without tap holes, without overflow	Otherwise	When ordering the cut version use the order form for cutting
	1 centre tap hole, 1 hole left for soap dispenser Charge 804 – with overflow Charge 816 – without overflow 1 centre tap hole, 1 hole right for soap dispenser Charge 805 – with overflow Charge 817 – without overflow 1 centre tap hole, 1 hole right for electronic valve unit to control the temperatur of the water and the flow rate Charge 814 – with overflow Charge 815 – without overflow	Colours	see colour table

SPECIFICATION TEXT

Cutable countertop basin Laufen-LIVING SQUARE, sanitary ceramic EN 14688, dimensions 1300 x 480 mm, angular
1 centre tap hole
Special feature: overflow channel glazed, cutable to 650 mm, with towel rail cutable to 1260 mm, integrated shelves
Further options / accessories: Surface refinement LCC (only white), 3 tap holes, without tap holes, with or without overflow, hole for soap dispenser left or right, electronic valve unit to control water temperature and flow rate, 3 tap holes distance 8 inches with overflow, towel rail 38143.4, furniture
Order no. 81643.5

TECHNICAL DRAWINGS / S 1 : 20



* = minimum measure for cutting / ** = minimum measure for cutting with towel rail