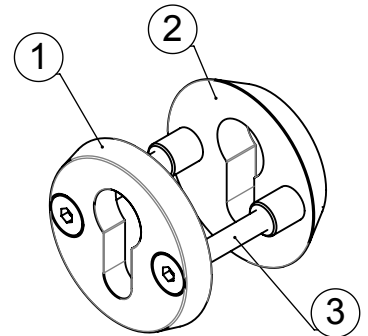
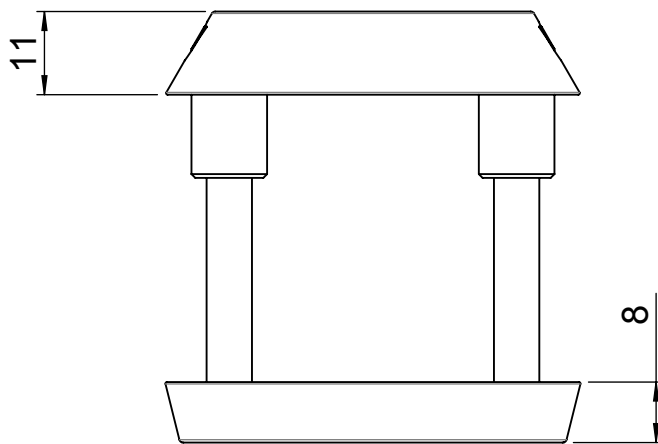


SKG*** mark



Pos No.	Part Number	Description		QTY.
1	D 3843	Cylinder escutcheon 8 mm		1
2	D 3845	PZ cylinder escutcheon 11mm		1
3	14.9706.02.650	Machine screw w/umbraco	M6 x 50 mm, DIN 7991 A4	2
4	14.9706.02.660	Machine screw w/umbraco	M6 x 60 mm, DIN 7991 A4	2

Subject: **Cylinder SKG *****
 ext. 11/int 8mm PZ cc38mm

category: Escutcheons

Sign.: tgr

Date: 27/8-2008

Approved by:

Appr. date:

Latest release.: tgr
 21/02-2011

Material: Stainless Steel
 Brushed

Drawing no.:

Status:
 Cat 5

14.3458.02.118



Dimension without tolerance, follows DS/ISO 2768-mK.
 This drawing is the property of d line a/s, and is not to be copied or shown to third parties.