

## AGUABLU

ZA5660

Termostatico incasso doccia con 2 rubinetti d'arresto. / Built-in thermostatic shower mixer with 2 stop valves.



Termostatico incasso doccia da 1/2", con 2 rubinetti d'arresto.

1/2" built-in thermostatic shower mixer with 2 stop valves.

R97821

Parte incasso. / Built-in part.



## Finiture / Finishes

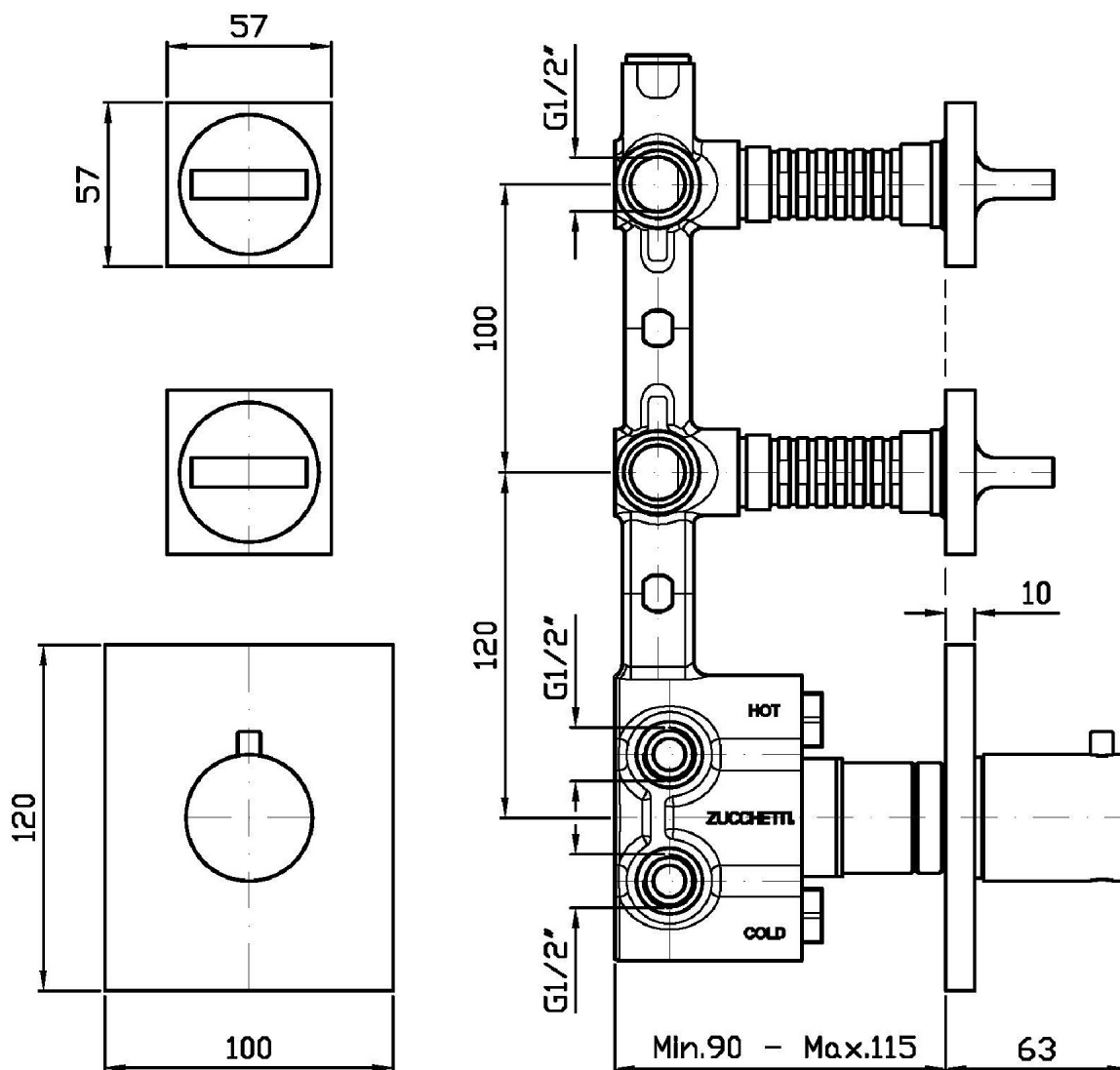


Cromo / Chrome

## AGUABLU

ZA5660

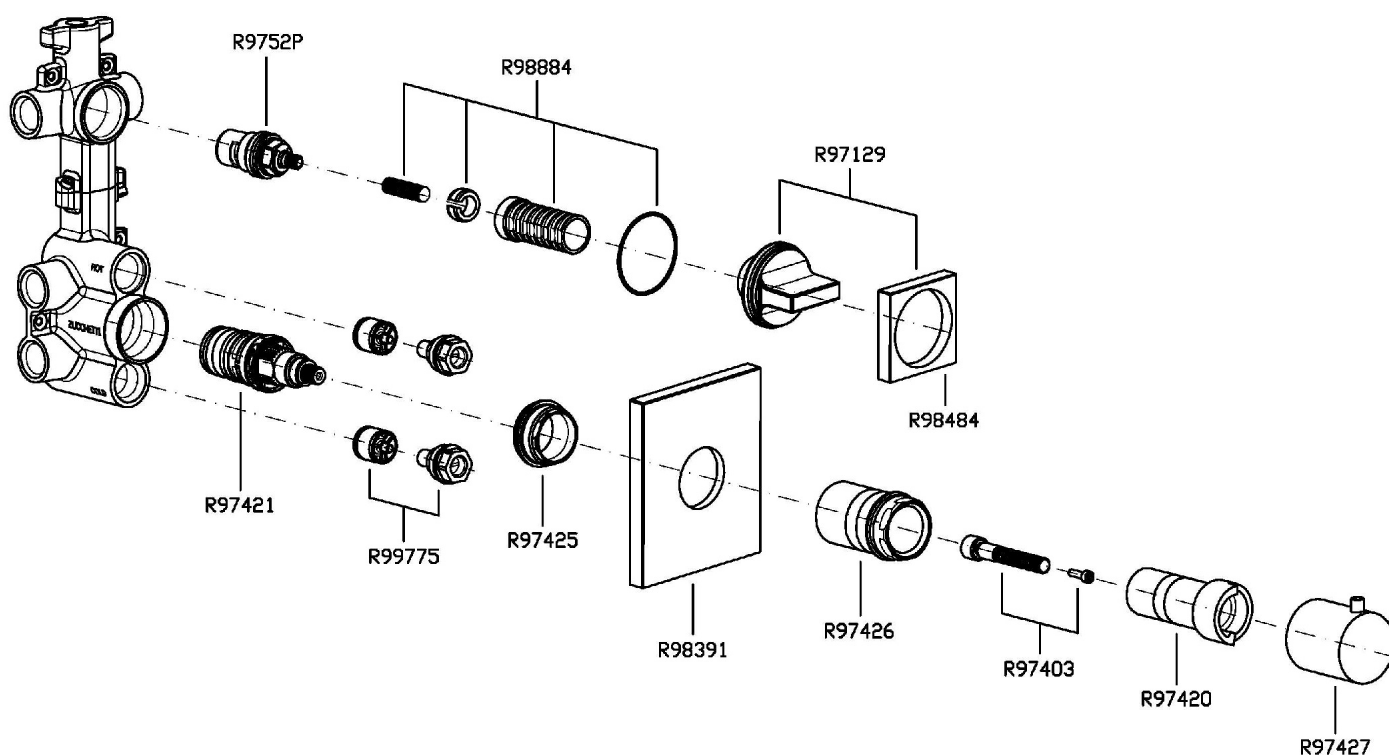
Disegno Complessivo / Overall Drawing



## AGUABLU

ZA5660

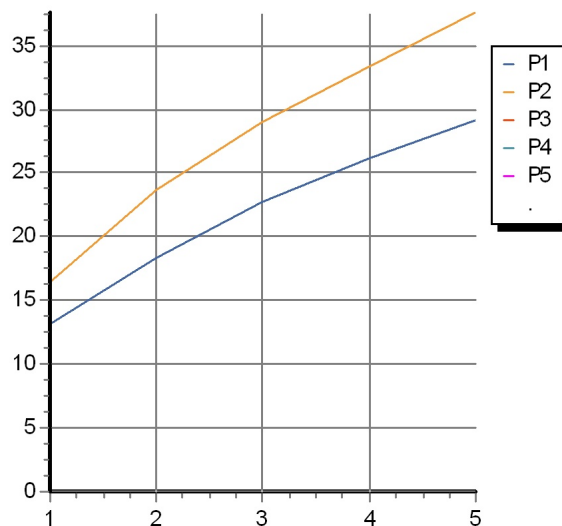
Esplosi / Exploded



## AGUABLU

ZA5660 Portate / Flowrates (lt/min)

| PRESSIONE<br>PRESSURE                            | 1 BAR | 2 BAR | 3 BAR | 4 BAR | 5 BAR |
|--|-------|-------|-------|-------|-------|
| 1 RUBINETTO APERTO<br><i>P1</i>                  | 13,2  | 18,4  | 22,7  | 26,2  | 29,2  |
| 2 RUBINETTO APERTI<br>2 TAPS OPENED<br><i>P2</i> | 16,5  | 23,6  | 29    | 33,3  | 37,6  |
| <i>P3</i>  |       |       |       |       |       |
| <i>P4</i>  |       |       |       |       |       |
| <i>P5</i>  |       |       |       |       |       |



## AGUABLU

ZA5660 Pesì e Misure / Weights and Sizes

|                               |               |                |
|-------------------------------|---------------|----------------|
| Peso ( Kg ) Weight ( lb )     | 2,00 ( Kg )   | 4,41 ( lb )    |
| Volume test ( dc3 ) - ( in3 ) | 11,01 ( dc3 ) | 671,87 ( in3 ) |
| h ( mm ) - ( in )             | 90,00 ( mm )  | 3,54 ( in )    |
| L1 ( mm ) - ( in )            | 335,00 ( mm ) | 13,19 ( in )   |
| L2 ( mm ) - ( in )            | 365,00 ( mm ) | 14,37 ( in )   |

