

INSTALLATION GUIDELINES



STYLE No. RGLS15, RGLS16
Regulator Gooseneck Three Hole Deck Mounted Lavatory Faucet with Drop Lever Handles

IMPORTANT:

- To ensure this product is installed properly, you must read and follow these guidelines.
- The owner/user of this product must keep this information for future reference.
- This product must be installed by a professional licensed contractor.
- Be sure your installation conforms to federal state, and local codes. In the State of Massachusetts, all installations must comply with the rules and regulations set forth within 248 CMR.
- Inspect this product to ensure you have all the parts required for proper installation. Product is sold partially assembled but shown fully disassembled for illustrative and service purposes only.
- Use only a strap wrench or protected/smooth-jaw wrench on any finished surface.
- The use of certain plumber’s putty may stain stone or tile surfaces.
- If further assistance is required, please contact Product Support at 1-800-927-2120 Monday through Friday, 8am - 6pm EST.
- Refer to the separate Service Parts Documents for available replacement parts.

TECHNICAL DETAILS:

DETAIL	SPECIFICATION
DECK THICKNESS	1-9/16" [40mm] MAX
DRAIN DEPTH	3/8" [10mm] MIN 2-5/8" [67mm] MAX
DRAIN HOLE DIAMETER	Ø1-3/4" [44mm]
DRAIN STYLE	PUSH TOUCH
FITTINGS HOLE DIAMETER	Ø1-3/8" [35mm]
FLOW RATE	2.2gpm [8.3L/min]
HANDLE SPREAD	8" [203mm] MIN 12" [305mm] MAX
HANDLE TURN ANGLE	QUARTER TURN
INLET CONNECTION	1/2" Male with Supply Nut
SPOUT REACH	5-7/16" [138mm]
CARTRIDGE VALVE MATERIAL	CERAMIC
WATER PRESSURE RANGE	20psi [1.5 bar] MIN 85psi [6.0 bar] MAX
WATER PRESSURE RECOMMENDED	45psi [3.0 bar]

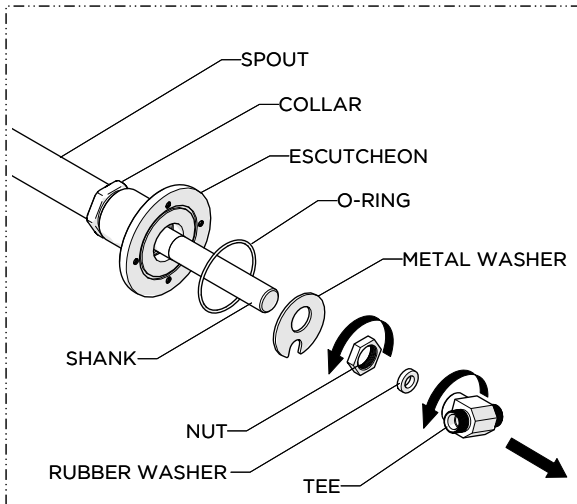
WATERWORKS

INSTALLATION GUIDELINES

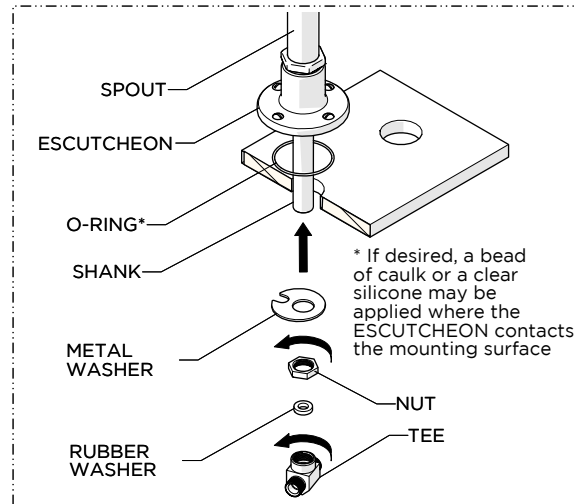


STYLE No. RGLS15, RGLS16

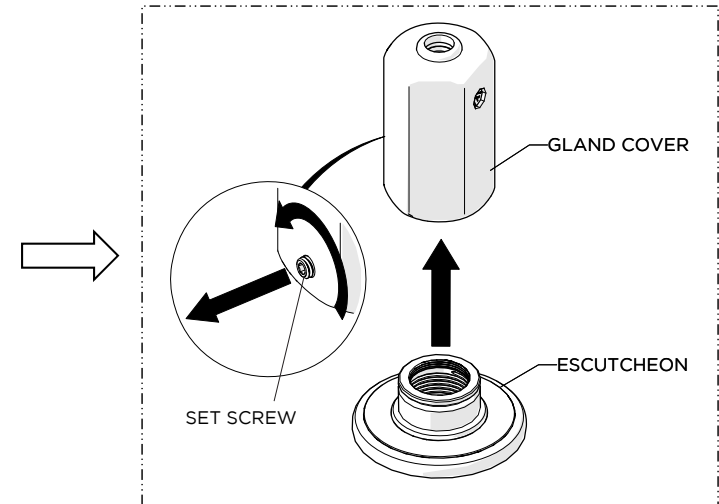
Regulator Gooseneck Three Hole Deck Mounted Lavatory Faucet with Drop Lever Handles



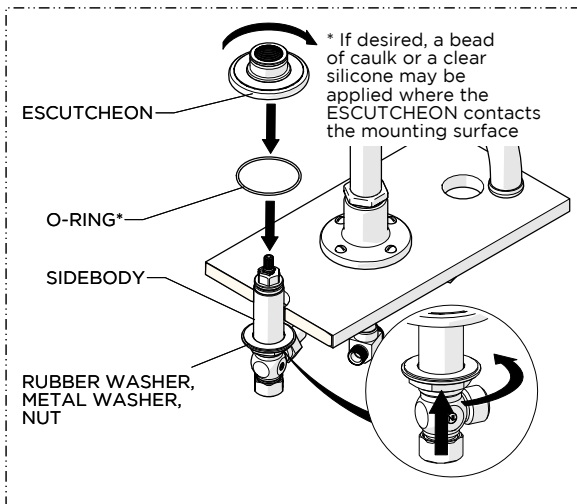
1. Remove the TEE, NUT and lower deck WASHERS from the SPOUT SHANK. Do NOT remove the O-RING from the ESCUTCHEON.



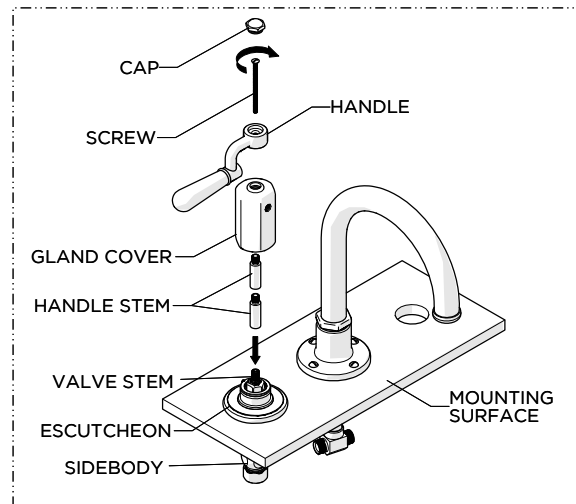
2. Insert the SHANK through the hole on the mounting surface then re-attach the WASHERS, NUT, and TEE and securely tighten the NUT.



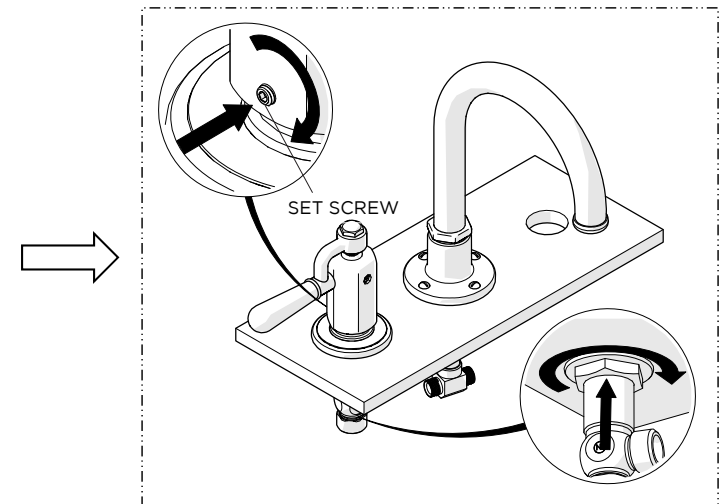
3. Unthread, but do not fully remove the SET SCREW, then detach the GLAND COVER from the ESCUTCHEON.



4. Thread the ESCUTCHEON back onto the SIDEBODY until it stops and let it rest on the mounting surface. Hand tighten the NUT against the underside of the mounting surface.



5. Place the HANDLE STEMS on the VALVE STEM, then place the GLAND COVER onto the ESCUTCHEON, making sure it is fully seated. Install the HANDLE on the HANDLE STEM in the desired orientation and securely tighten the SCREW, then insert the CAP into the HANDLE. DO NOT tighten SET SCREW at this time.



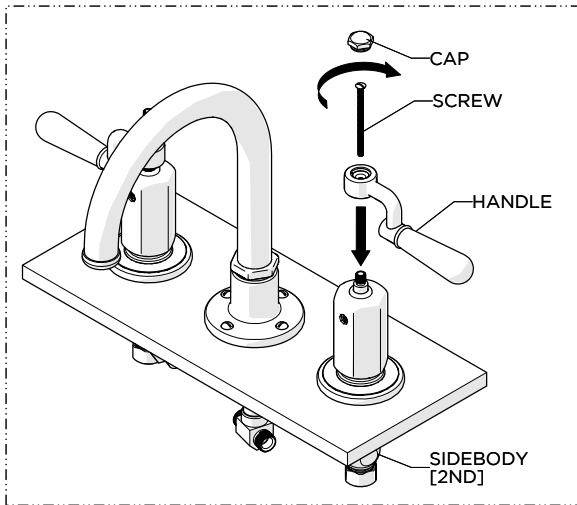
6. Ensure the HANDLE is in the desired orientation then securely tighten the NUT on the SIDE BODY. Align the GLAND COVER as shown then securely tighten the SET SCREW.

WATERWORKS

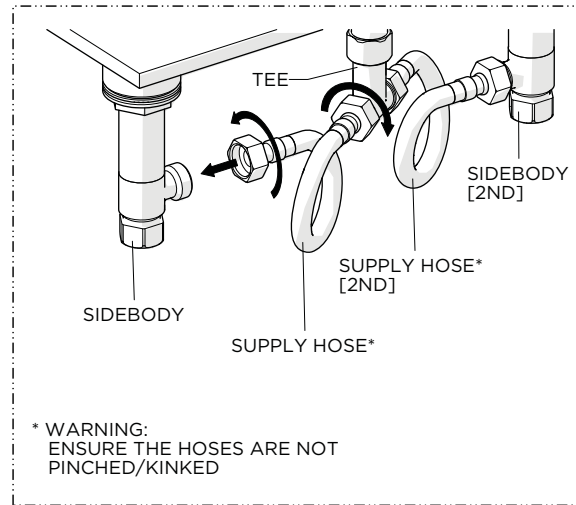
INSTALLATION GUIDELINES



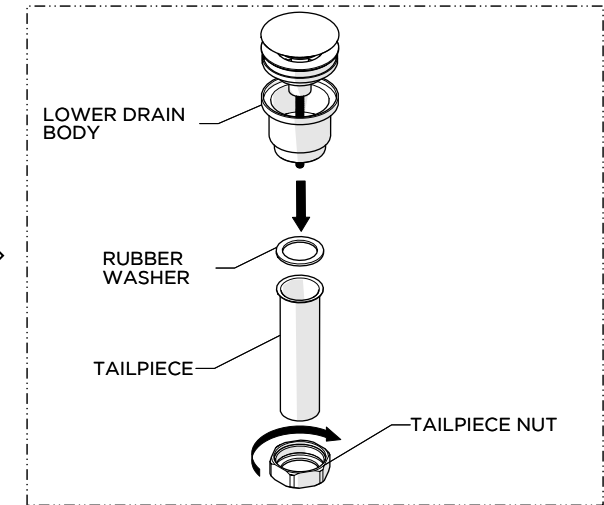
STYLE No. RGLS15, RGLS16
 Regulator Gooseneck Three Hole Deck Mounted Lavatory Faucet with Drop Lever Handles



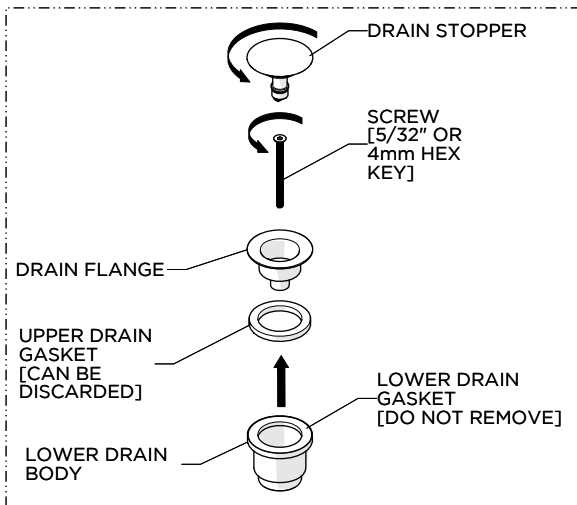
7. Repeat steps 3 through 8 to install the other HANDLE.



8. Connect the SIDEBODIES to the TEE using the SUPPLY HOSES provided. Securely tighten the HOSES and ensure they are not pinched/kinked.

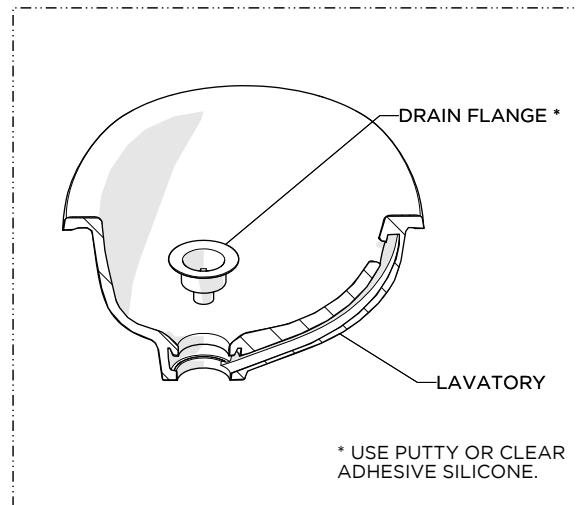


9. Remove the TAILPIECE from the LOWER DRAIN BODY.

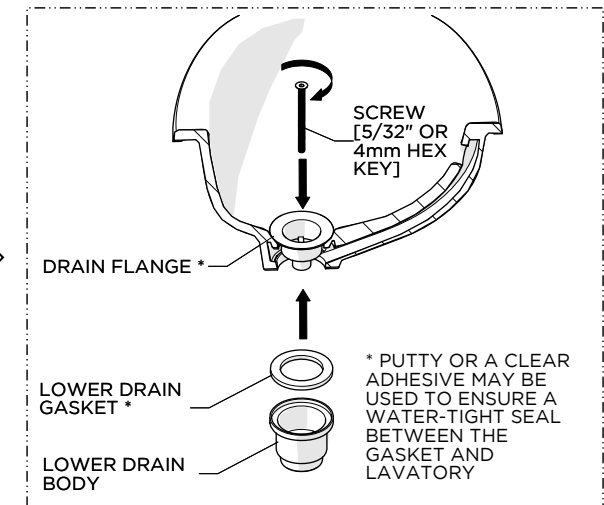


10. Unthread and remove the DRAIN STOPPER and LOWER DRAIN BODY from the DRAIN FLANGE. The UPPER DRAIN GASKET can be discarded.

CAUTION: Do NOT discard the LOWER DRAIN GASKET.



11. Set the DRAIN FLANGE in the lavatory [SOLD SEPARATELY] using putty or a clear adhesive silicone.



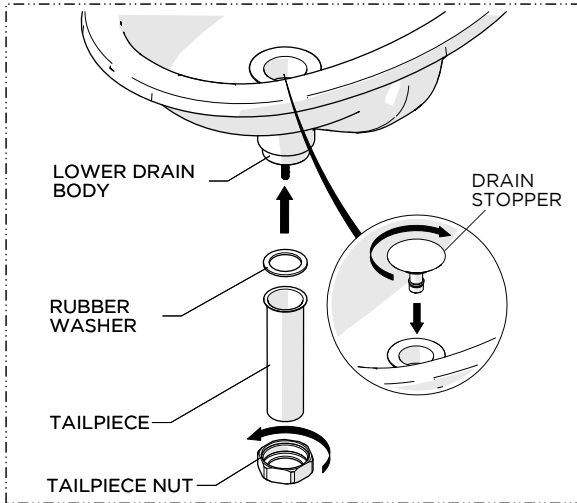
12. Re-install the LOWER DRAIN BODY making sure to use the GASKET provided. Ensure the GASKET makes a full seal on the underside of the lavatory then securely tighten the SCREW.

INSTALLATION GUIDELINES

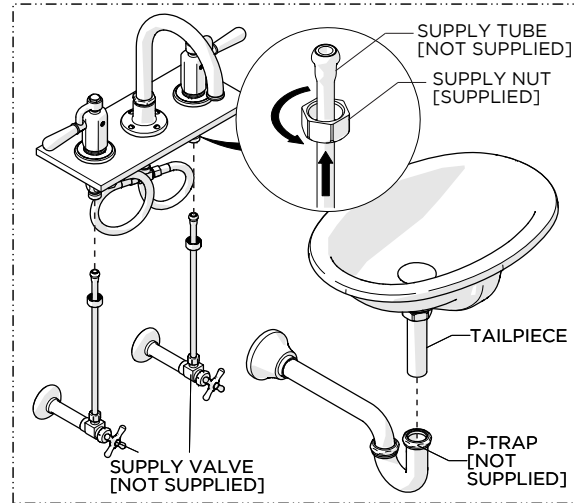


STYLE No. RGLS15, RGLS16

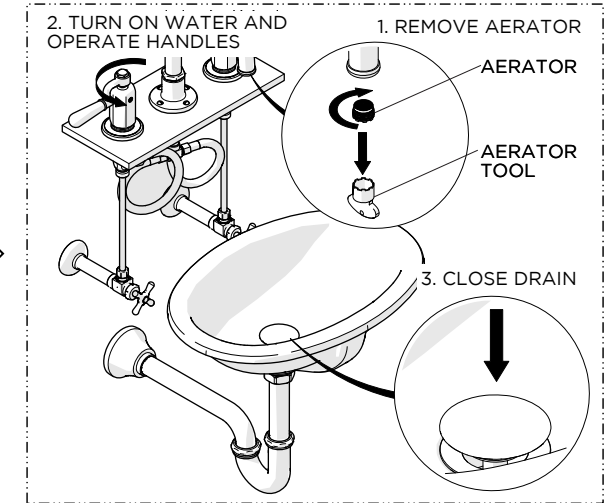
Regulator Gooseneck Three Hole Deck Mounted Lavatory Faucet with Drop Lever Handles



13. Re-install the DRAIN STOPPER then the TAILPIECE using the WASHER and NUT provided.



14. Make final P-TRAP [sold separately] and SUPPLY VALVE [sold separately] connections.



15. Removed the AERATOR, turn on the water to flush out the supply lines, and inspect all connections for leaks. Close the DRAIN to ensure it functions properly then turn off the water and re-install the AERATOR.