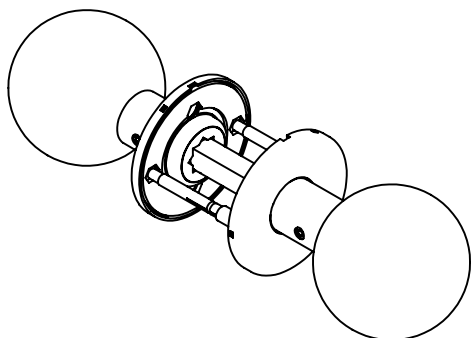
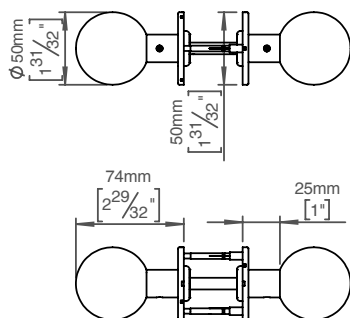


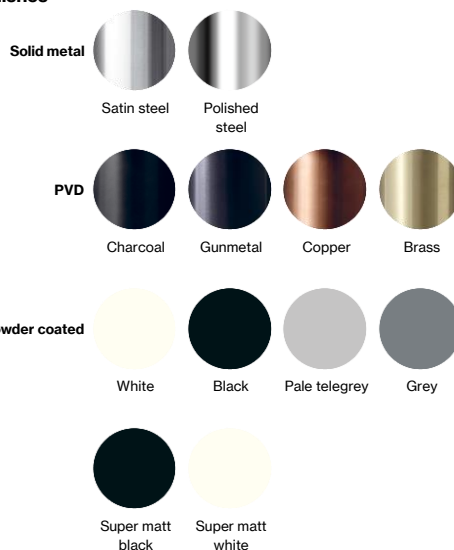
Ball knob handle



Knud Holscher collection

Product	Pair, 8x8mm, snap-on cover, cc 30/38mm, 33-49mm.
Tender text	Knud Holscher collection, ball knob handle pair, 8x8mm, snap-on cover, cc 30/38mm, 33-49mm. Manufactured in the highest quality marine grade, AISI 316 stainless steel, protecting against high levels of corrosion. 20-year warranty.
Product specification	Dimension: 50x50x71mm Material: stainless steel AISI 316 Surface finish: satin grain 320, crafted by hand 20-year warranty (5 years for coated items)

Available finishes



Spare parts/ accessories	14281092092 - Spindle 8x8x92mm D 2005 - Snap-on cover w/20mm hole
---------------------------------	--

Mounting <https://dline.com/mounting-instructions/>

Product care

d line products are produced in the highest quality marine grade AISI 316 stainless steel. To sustain the unique d line finish please follow the below instructions:

- Wash down the surfaces using soapy water or mild detergent
- Always thoroughly rinse off with clean water
- To complete the cleaning procedure dry/polish the surface with a soft dry cloth

Please do not use scouring powder, steel wool, chloride based detergents or other aggressive cleaning products as these may damage the surface.

If spots or corrosion appear on the surface it is not due to the stainless steel quality, but to impurities in the environment, aggressive conditions or improper or insufficient cleaning.