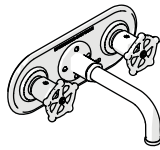
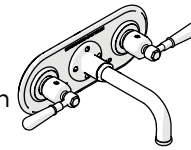


# WATERWORKS

## INSTALLATION GUIDELINES



**STYLE No.** RGLS60, RGLS61, RG60LS†, RG61LS†  
Regulator Low Profile Three Hole Wall Mounted Lavatory Faucet with Black/Metal Wheel Handles



**STYLE No.** RGLS70, RGLS71, RG70LS†, RG71LS†  
Regulator Low Profile Three Hole Wall Mounted Lavatory Faucet with Black/Metal Lever Handles

### IMPORTANT:

- To ensure this product is installed properly, you must read and follow these guidelines.
- The owner/user of this product must keep this information for future reference.
- This product must be installed by a professional licensed contractor and must be on-site prior to rough-in. This allows the installer to visualize the installation and verify the 8" center spread.
- Be sure your installation conforms to federal state, and local codes. In the State of Massachusetts, all installations must comply with the rules and regulations set forth within 248 CMR.
- Inspect this product to ensure you have all the parts required for proper installation. Product is sold partially assembled but shown fully disassembled for illustrative and service purposes only.
- Use only a strap wrench or protected/smooth-jaw wrench on any finished surface.
- The use of certain plumber's putty may stain stone or tile surfaces.
- If further assistance is required, please contact Product Support at 1-800-927-2120 Monday through Friday, 8am - 6pm EST.
- Refer to the separate Service Parts Documents for available replacement parts.

### TECHNICAL DETAILS:

DETAIL	SPECIFICATION
DRAIN DEPTH	3/8" [10mm] MIN 2-5/8" [67mm] MAX
DRAIN HOLE DIAMETER	Ø1-3/4" [44mm]
DRAIN STYLE	PUSH TOUCH
FLOW RATE	2.2gpm [8.3L/min]
HANDLE SPREAD	8" [203mm] <b>NOT ADJUSTABLE</b>
HANDLE TURN ANGLE	QUARTER TURN
INLET CONNECTION	1/2" Female NPT †
SPOUT REACH	8-7/8" [225mm]
WATER PRESSURE RANGE	20psi [1.5 bar] MIN 85psi [6.0 bar] MAX
WATER PRESSURE RECOMMENDED	45psi [3.0 bar]

† UK Style No. **RG60LS**, **RG61LS**, **RG70LS**, and **RG71LS** are supplied with 1 **BSPP** ADAPTER, assembly required.

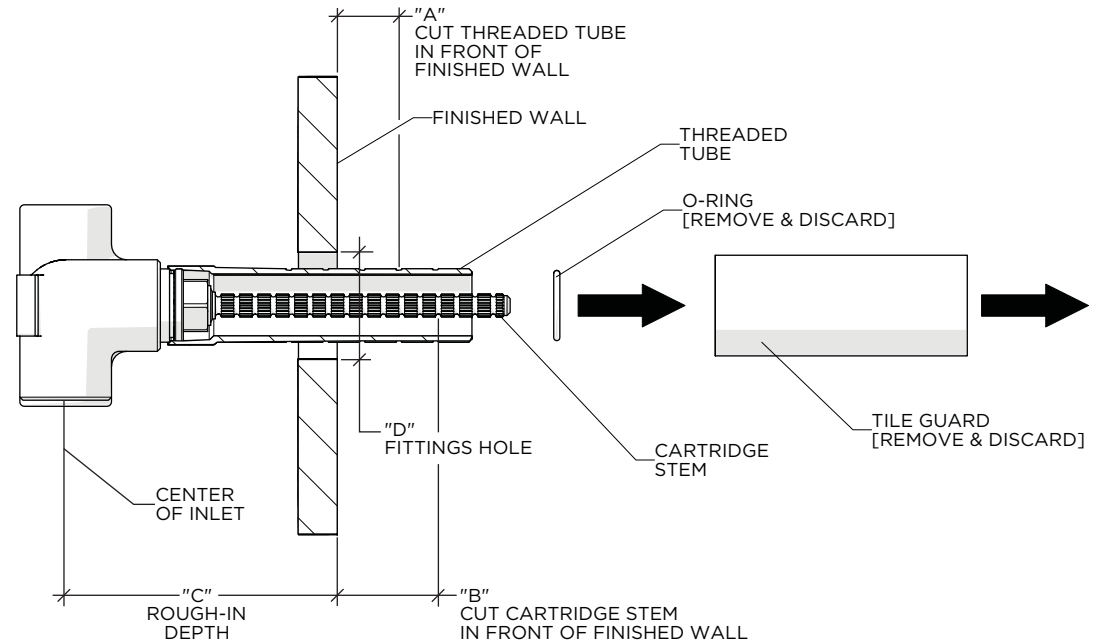
### REQUIRED PLUMBING DETAILS:

- Universal Lavatory Wall Mounted Rough Valve (Used with Lever Handle Faucets) or, **STYLE No.** GULV25, GU25LV
- Universal Lavatory Wall Mounted Rough Valve (Used with Wheel Handle Faucets) **STYLE No.** GULV27, GU27LV

### ROUGH-IN AND VALVE PREPARATION:

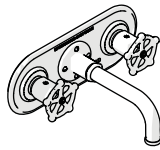
- **CAUTION:** Mark and remove the **THREADED TUBE** before cutting. Do **NOT** cut the end with the internal threads.
- **CAUTION:** Mark and remove the **CARTRIDGE** using a 21/32" [17mm] shower valve socket wrench before cutting.

DIMENSION	VALUE
A	1-1/2" [38mm]
B	2-1/8" [54mm]
C	1-3/4" [44mm] MIN 3-5/8" [92mm] MAX
D	Ø1-3/8" [35mm]

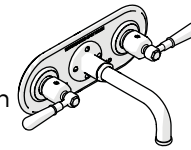


# WATERWORKS

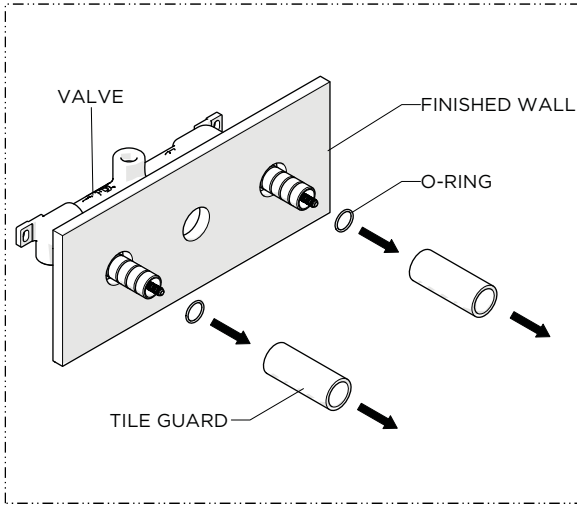
## INSTALLATION GUIDELINES



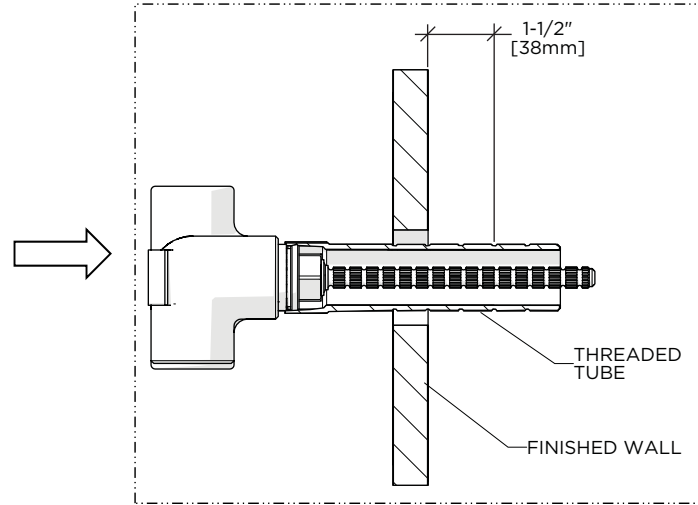
**STYLE No.** RGLS60, RGLS61,  
RG60LS<sup>+</sup>, RG61LS<sup>+</sup>  
Regulator Low Profile Three Hole  
Wall Mounted Lavatory Faucet with  
Black/Metal Wheel Handles



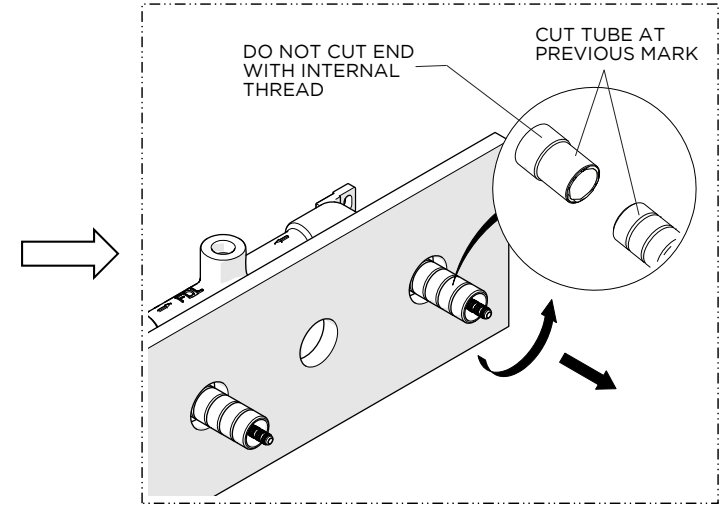
**STYLE No.** RGLS70, RGLS71,  
RG70LS<sup>+</sup>, RG71LS<sup>+</sup>  
Regulator Low Profile Three Hole  
Wall Mounted Lavatory Faucet with  
Black/Metal Lever Handles



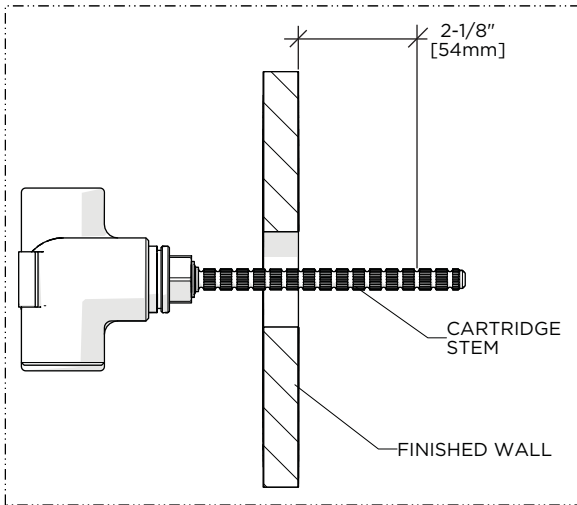
1. Remove the TILE GUARDS and O-RINGS from the THREADED TUBES on the VALVE.



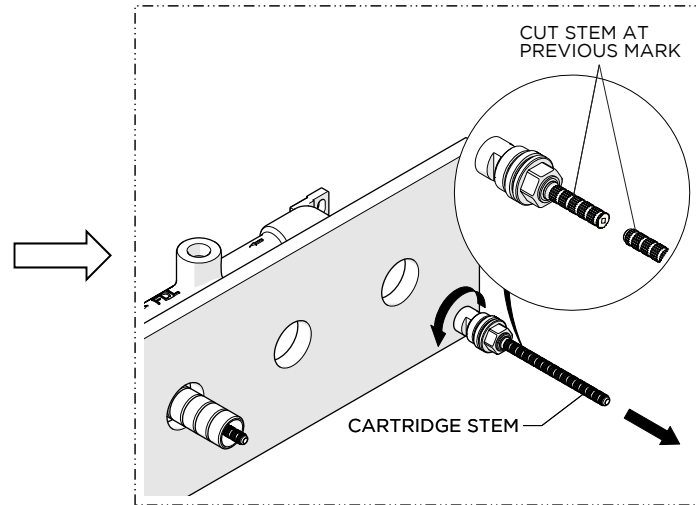
2. Mark the THREADED TUBE 1-1/2" [38mm] in front of the finished wall.



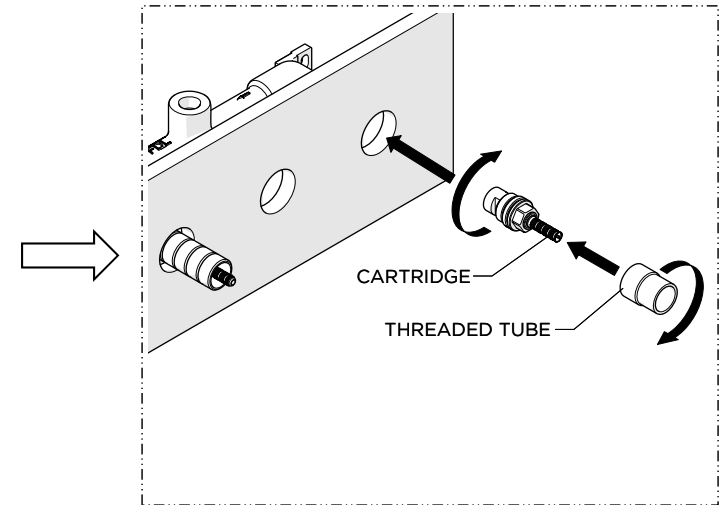
3. Unthread the THREADED TUBE then cut the TUBE at the previous mark. Do **NOT** cut the end with the internal threads.



4. Mark the CARTRIDGE STEM 2-1/8" [54mm] beyond where it protrudes from the finished wall.



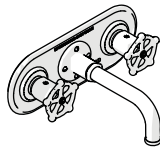
5. Remove the CARTRIDGE using a 21/32" [17mm] shower valve socket wrench (not provided) then cut the STEM at the previous mark.



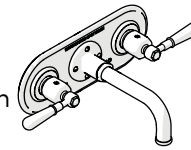
6. Thread and securely tighten the CARTRIDGE back into the VALVE then thread the THREADED TUBE back onto the CARTRIDGE.

# WATERWORKS

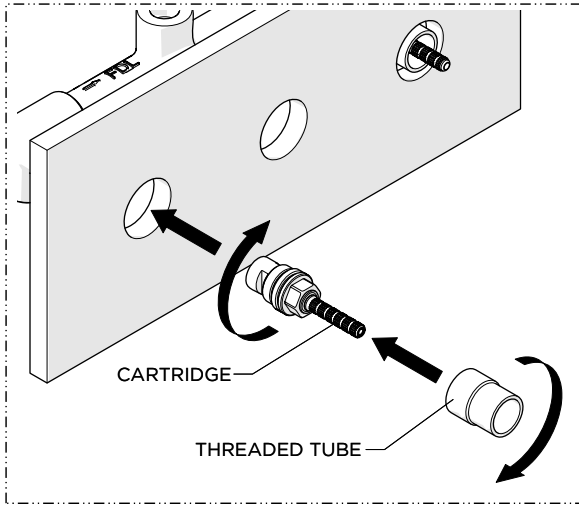
## INSTALLATION GUIDELINES



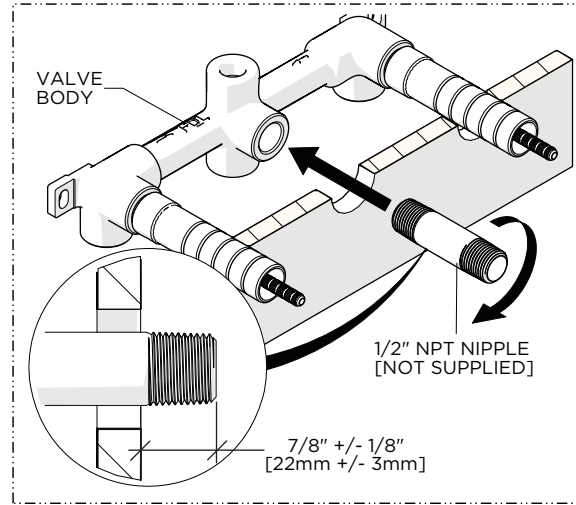
**STYLE No.** RGLS60, RGLS61, RG60LS<sup>+</sup>, RG61LS<sup>+</sup>  
Regulator Low Profile Three Hole Wall Mounted Lavatory Faucet with Black/Metal Wheel Handles



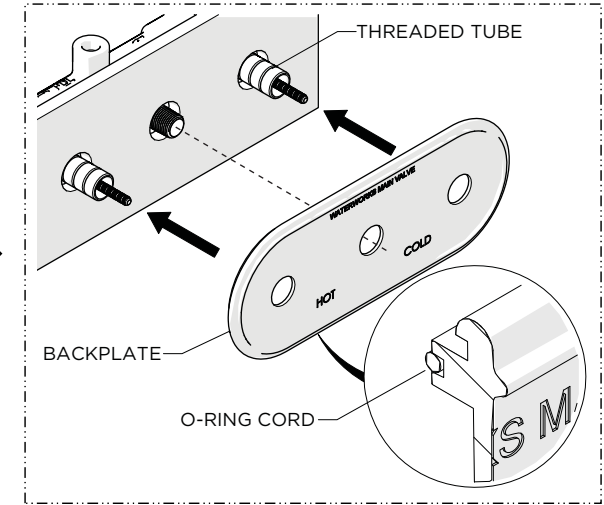
**STYLE No.** RGLS70, RGLS71, RG70LS<sup>+</sup>, RG71LS<sup>+</sup>  
Regulator Low Profile Three Hole Wall Mounted Lavatory Faucet with Black/Metal Lever Handles



7. Repeat Steps 2 - 6 to cut the second (2nd) THREADED TUBE and CARTRIDGE STEM.

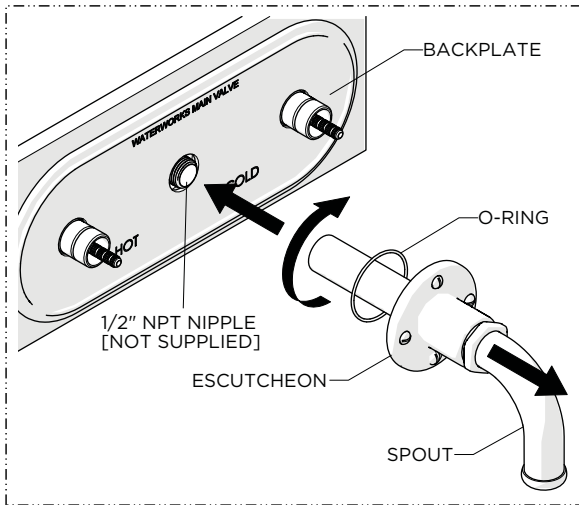


8. Thread a 1/2" NPT x 1/2" NPT NIPPLE (not supplied) of appropriate length into the VALVE and ensure the front face of the NIPPLE is 7/8" [22mm] ± 1/8" [3mm] from the surface of the finished wall.

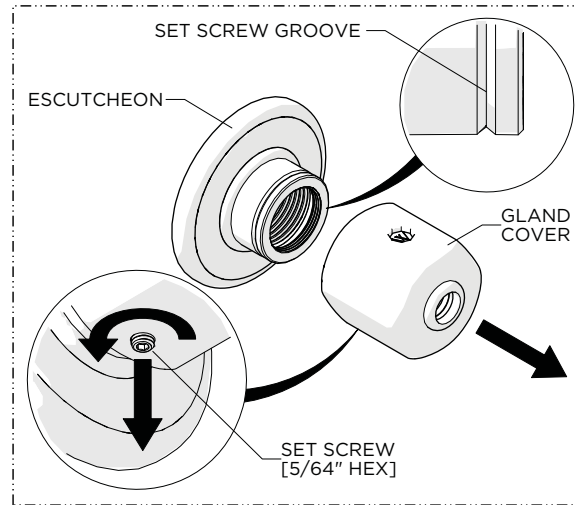


9. Slide the BACKPLATE over the THREADED TUBES making sure the O-RING CORD is secured properly.

**NOTE:** If desired, a bead of caulk or a clear silicone may be applied where the BACKPLATE contacts the finished wall.

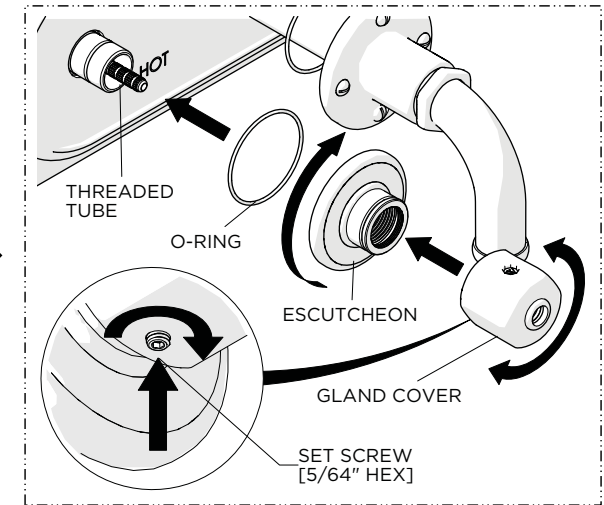


10. Slide the ESCUTCHEON and O-RING up the SPOUT then, while holding the BACKPLATE against the finished wall, thread and securely tighten the SPOUT onto the NIPPLE.



11. Loosen, but do **NOT** remove, the SET SCREW on the backside of the GLAND COVER using a 5/64" [2mm] HEX KEY then remove the GLAND COVER.

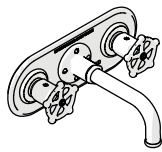
**IMPORTANT:** The GLAND COVER can rotate to ensure it is in the desired orientation. Do **NOT** use the GLAND COVER as leverage to install the ESCUTCHEON.



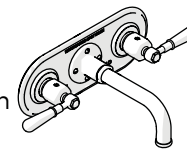
12. Thread and securely tighten the ESCUTCHEON onto the THREADED TUBE making sure to use the O-RING provided. Push the GLAND COVER onto the ESCUTCHEON until it is fully seated then rotate it to the desired orientation and securely tighten the SET SCREW.

# WATERWORKS

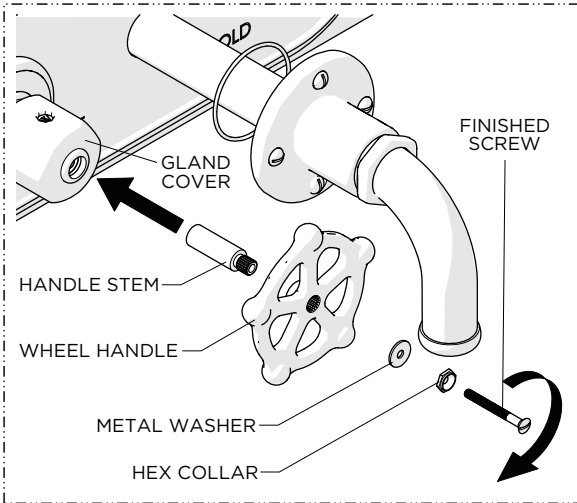
## INSTALLATION GUIDELINES



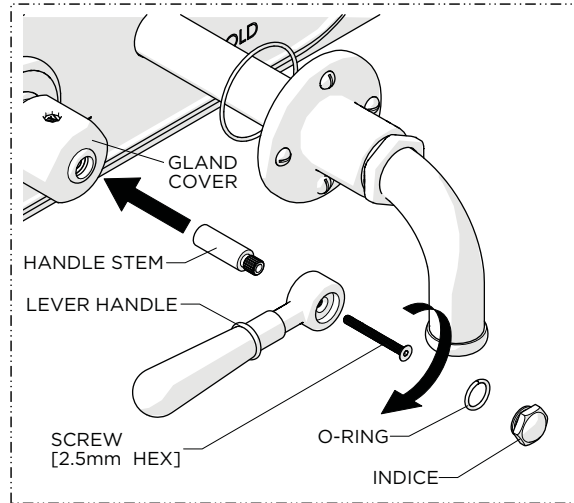
**STYLE No.** RGLS60, RGLS61, RG60LS+, RG61LS+  
Regulator Low Profile Three Hole Wall Mounted Lavatory Faucet with Black/Metal Wheel Handles



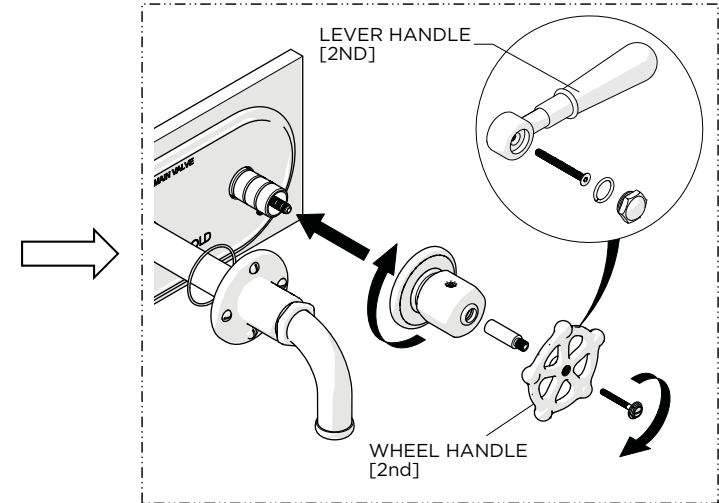
**STYLE No.** RGLS70, RGLS71, RG70LS+, RG71LS+  
Regulator Low Profile Three Hole Wall Mounted Lavatory Faucet with Black/Metal Lever Handles



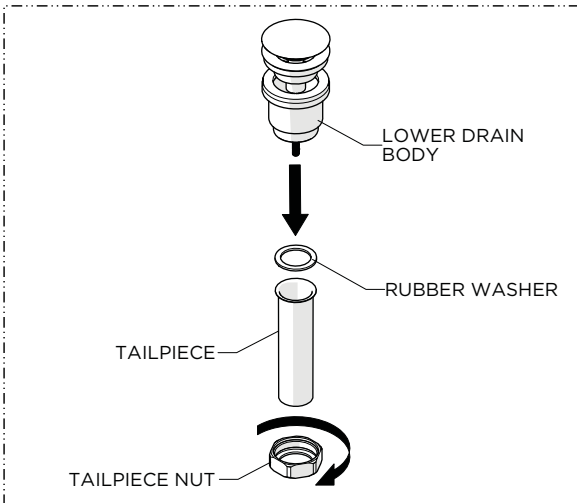
13. **RGLS60/61 ONLY:** Insert the HANDLE STEM into the GLAND COVER, place the WHEEL HANDLE onto the STEM in the desired orientation then thread and securely tighten the SCREW making sure to include METAL WASHER and HEX COLLAR.



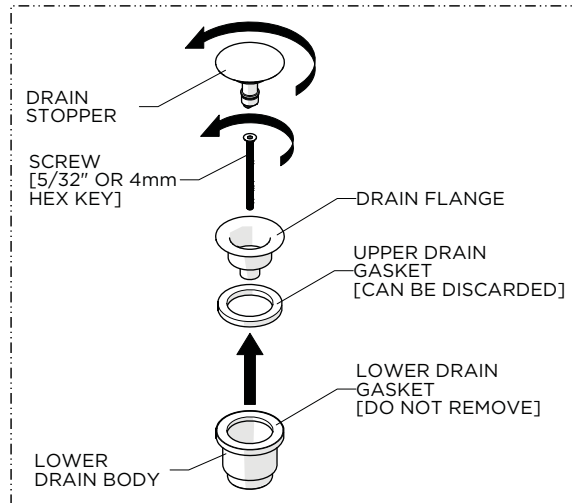
14. **RGLS70/71 ONLY:** Insert the HANDLE STEM into the GLAND COVER, place the LEVER HANDLE onto the STEM in the desired orientation, thread and securely tighten the SCREW then insert the INDICE into the HANDLE.



15. Repeat steps 11 - 14 to install the second [2nd] WHEEL or LEVER HANDLE.

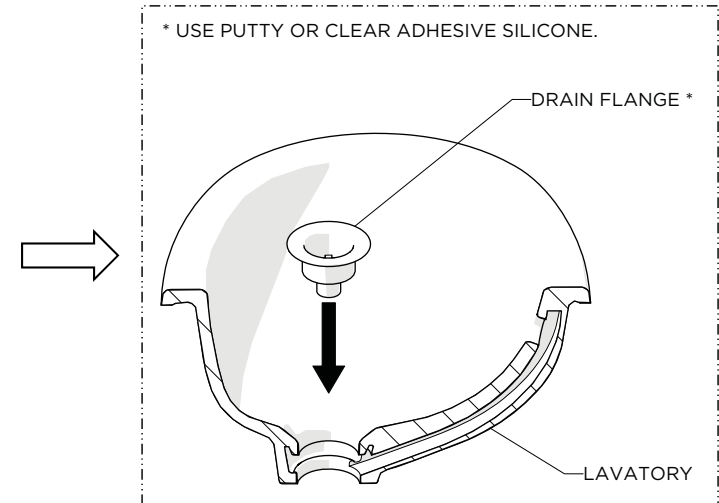


16. Remove the TAILPIECE from the LOWER DRAIN BODY.



17. Unthread and remove the DRAIN STOPPER and LOWER DRAIN BODY from the DRAIN FLANGE. The UPPER DRAIN GASKET can be discarded.

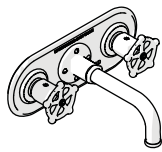
**CAUTION:** Do **NOT** discard the LOWER DRAIN GASKET.



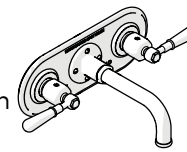
18. Set the DRAIN FLANGE in the lavatory (sold separately) using putty or a clear adhesive silicone.

# WATERWORKS

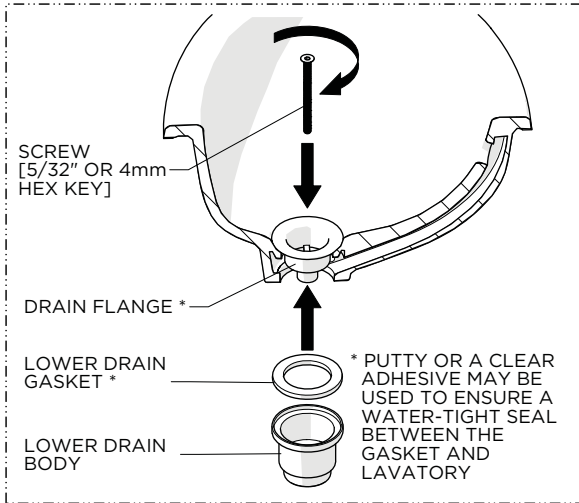
## INSTALLATION GUIDELINES



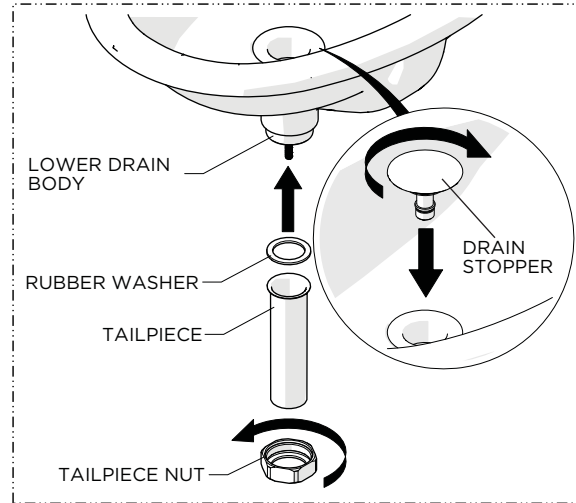
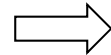
**STYLE No.** RGLS60, RGLS61, RG60LS+, RG61LS+  
Regulator Low Profile Three Hole Wall Mounted Lavatory Faucet with Black/Metal Wheel Handles



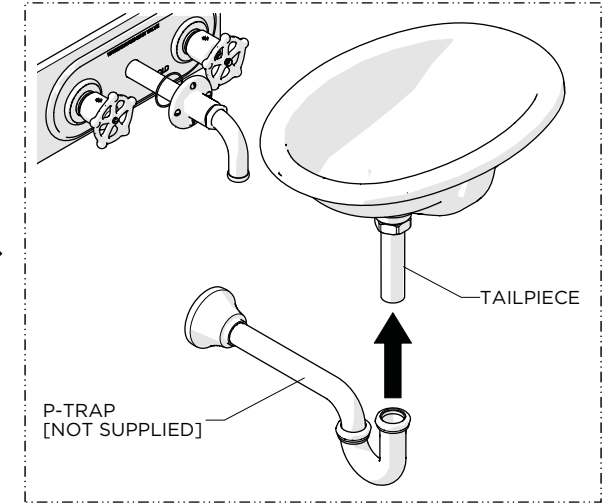
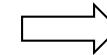
**STYLE No.** RGLS70, RGLS71, RG70LS+, RG71LS+  
Regulator Low Profile Three Hole Wall Mounted Lavatory Faucet with Black/Metal Lever Handles



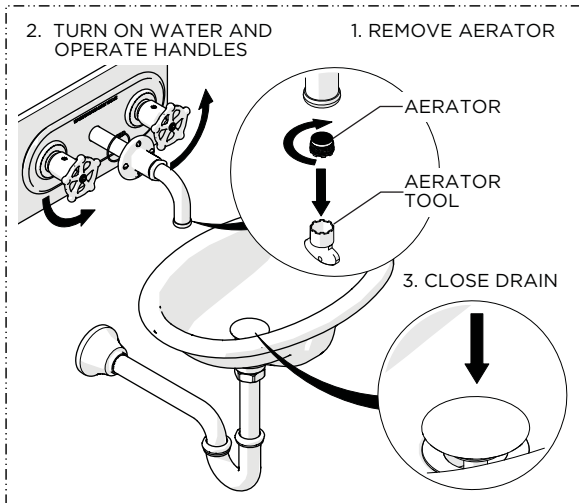
19. Re-install the LOWER DRAIN BODY making sure to use the GASKET provided. Ensure the GASKET makes a full seal on the underside of the lavatory then securely tighten the SCREW.



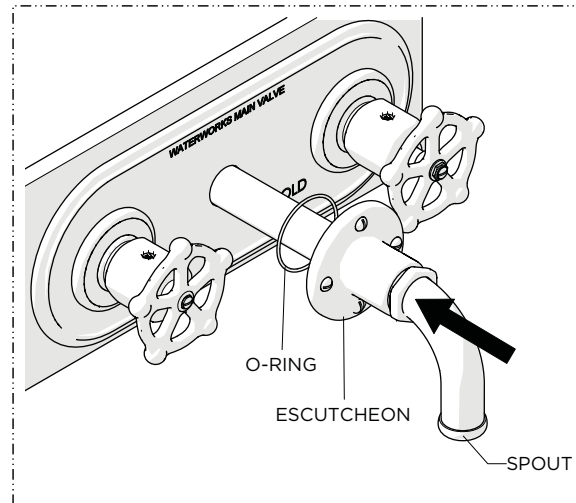
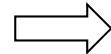
20. Re-install the DRAIN STOPPER then the TAILPIECE using the WASHER and NUT provided.



21. Make final P-TRAP (sold separately) connections.



22. Removed the AERATOR, turn on the water to flush out the supply lines, and inspect all connections for leaks. Close the DRAIN to ensure it functions properly then turn off the water and re-install the AERATOR.



23. Slide the ESCUTCHEON against the finished wall making sure the O-RING is secured properly.

**CAUTION:** The SCREWS on the ESCUTCHEON are aesthetic only.