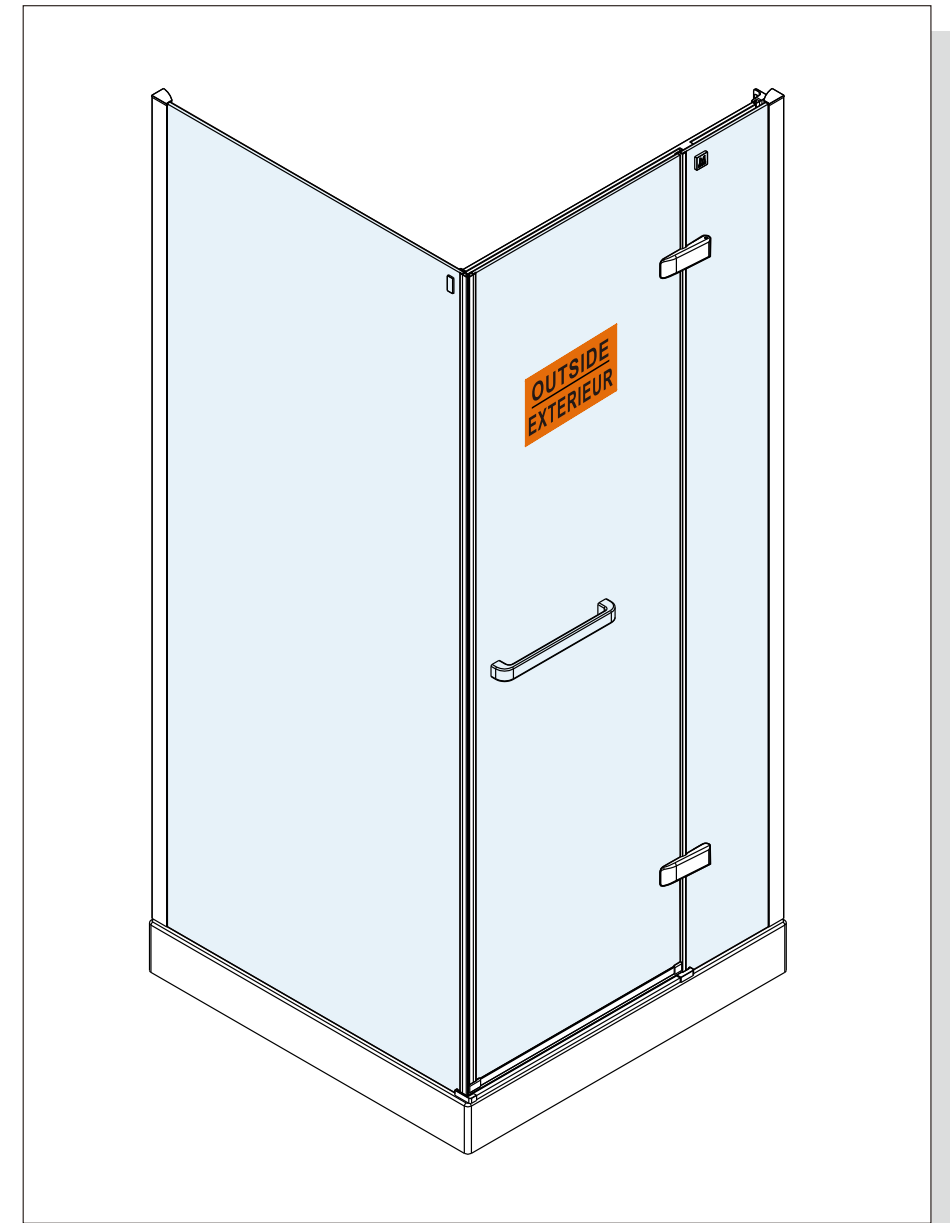


HINGE DOOR & INLINE PANEL & SIDE PANEL



INSTALLATION GUIDE

Hinged Door

IMPORTANT

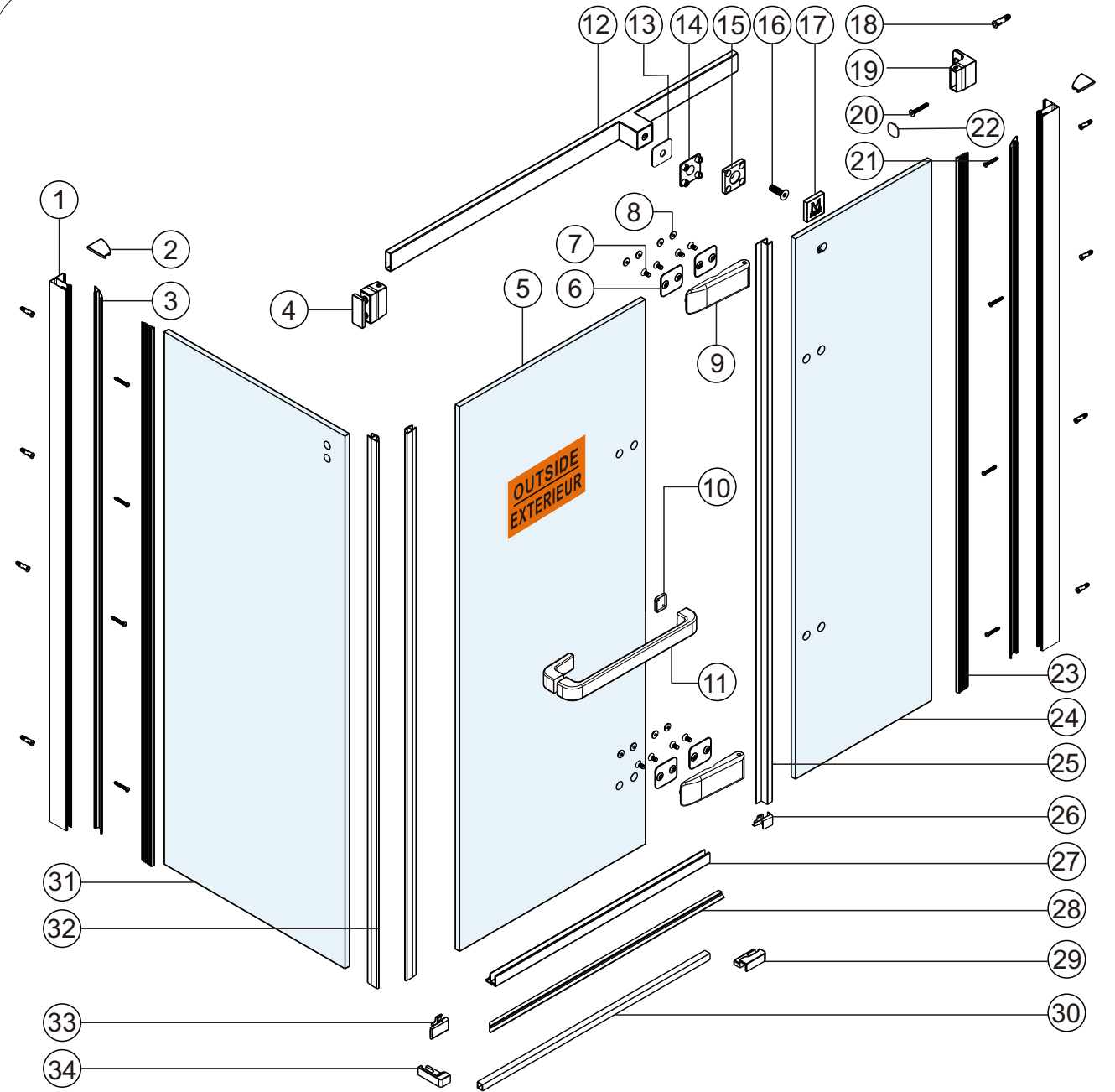
Thank you for choosing Merlyn. Please familiarise yourself with the fitting instructions before commencing fitting.

- 1 Check that you have the tools required
- 2 Check that the installation site is compatible with size of door supplied
- 3 Check all the enclosure components
- 4 Check that the installation kit is complete

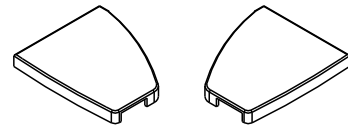
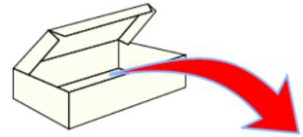
DO NOT attempt to install the product unless you can tick **ALL 4** boxes as satisfactory.
The wall plugs supplied with the installation kit are for use in solid walls. Hollow or 'stud - partition' walls will require alternative fixings. Please consult a hardware supplier for the correct type.
It may also be necessary to consult your tiling supplier about the correct method for drilling your tiles.

USE SAFETY EYEWEAR WHEN DRILLING

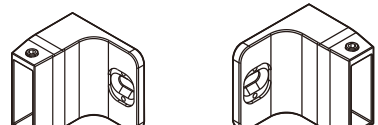
Any parts missing or damaged must be reported to your supplier within 5 days of purchase.
Inspect shower enclosure before fitting. No claims will be accepted after product has been installed.



No.	Qty	Part No.	No.	Qty	Part No.	No.	Qty	Part No.
①	2	A06S0058	⑫	1	B	⑳	2	A01S0154
②	2	A06S0060	⑬	1	A06S0020	㉑	1	C
③	2	A01S0115	⑭	1	A06S0019	㉒	1	A06S0041
④	1	A06S0033	⑮	1	A06S0018	㉓	1	A06S0038
⑤	1	A	⑯	1	A06S0021	㉔	1	A06S0002
⑥	8	A06S0011	⑰	1	A06S0017	㉕	1	A06S0042
⑦	8	A06S0013	⑱	9	8SSJ066	㉖	1	A06S0036L/R
⑧	8	A06S0012	㉑	1	A06S0030/A06S0031	㉗	1	A06S0004
⑨	2	A06S0009	㉒	1	A06S0048	㉘	1	D
⑩	1	A06S0016	㉓	8	A06S0049	㉙	2	A06S0044
⑪	1	A06S0014	㉔	1	A06S0032	㉚	1	A06S0037L/R
						㉛	1	A06S0035 L/R



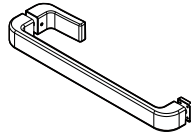
A06S0060 L/R
×2



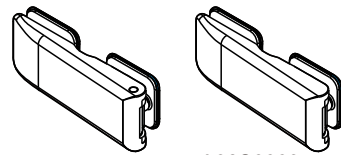
A06S0030 L
×1

A06S0031 R
×1

A06S0032
×1

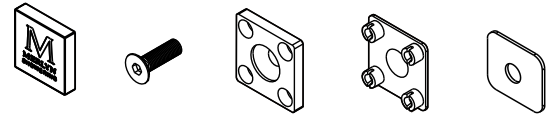


A06S0014
×1



A06S0009
×1

A06S0009
×1



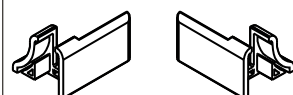
A06S0017
×1

A06S0021
×1

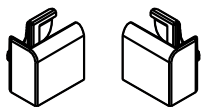
A06S0018
×1

A06S0019
×1

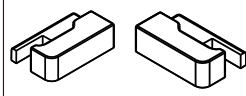
A06S0020
×1



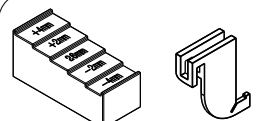
A06S0037 L/R
×1



A06S0038 L/R
×1

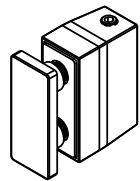


A06S0036 L/R
×1

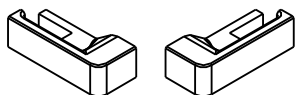


A06S0040
×2

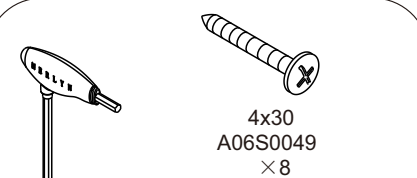
A06S0039
×2



A06S0033
×1



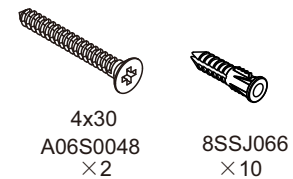
A01S0035 L/R
×1



4x30
A06S0049
×8



4mm
A06S0046
×1



4x30
A06S0048
×2

8SSJ066
×10



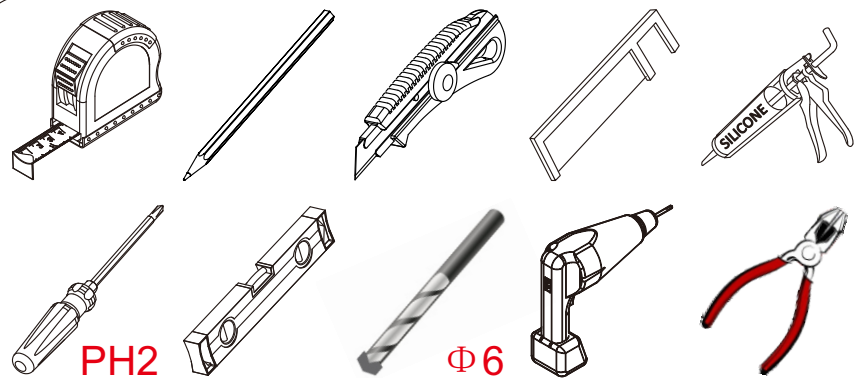
3.0mm
8S1300611
×1



2.5mm
8S1300511
×1



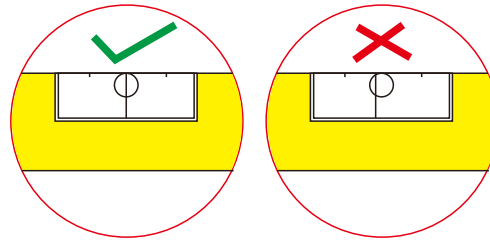
A09S0052
×1



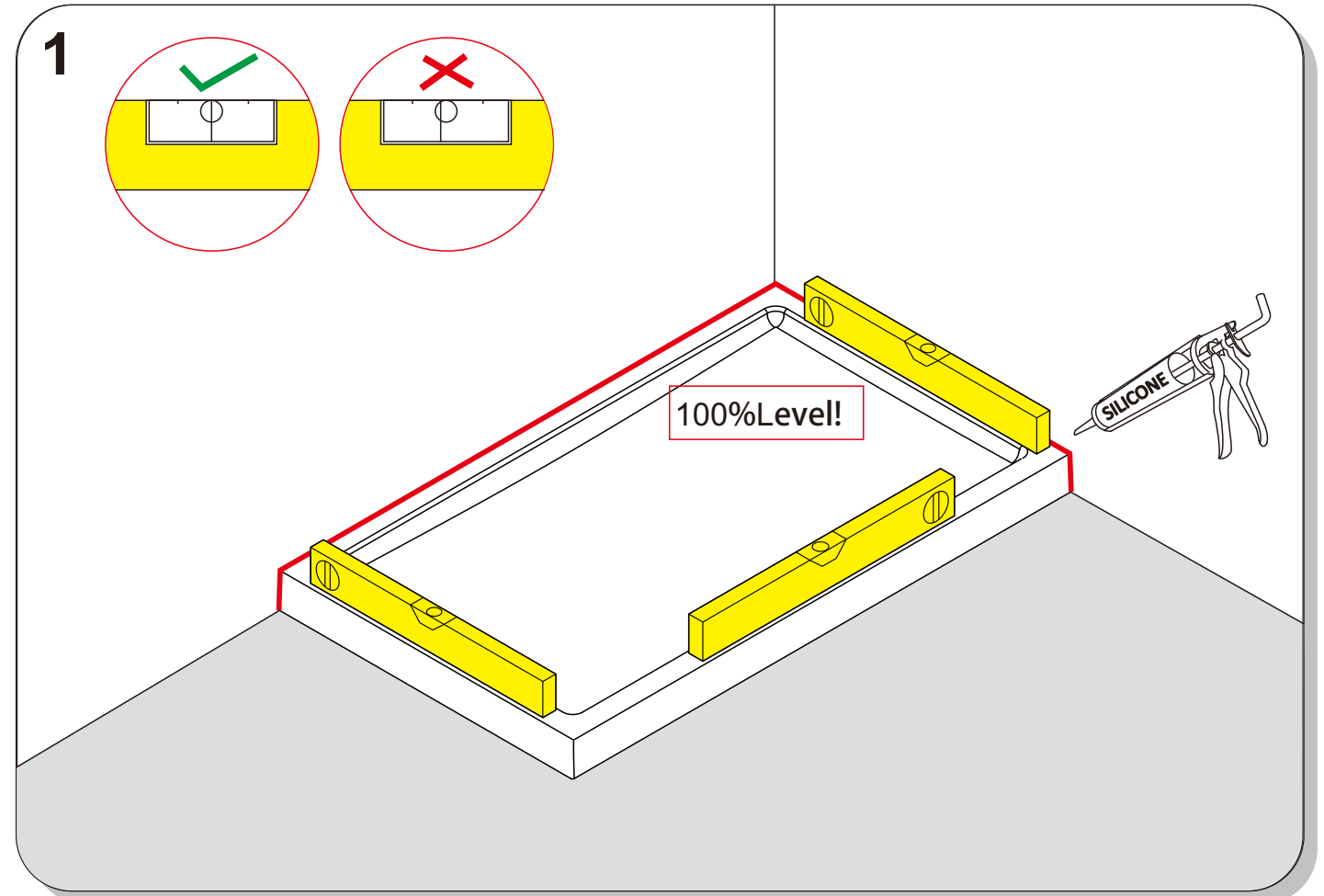
PH2

Φ6

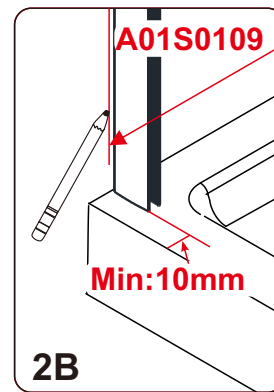
1



100%Level!

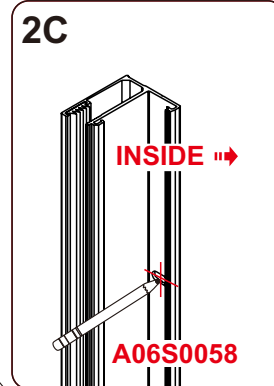


2



Min:10mm

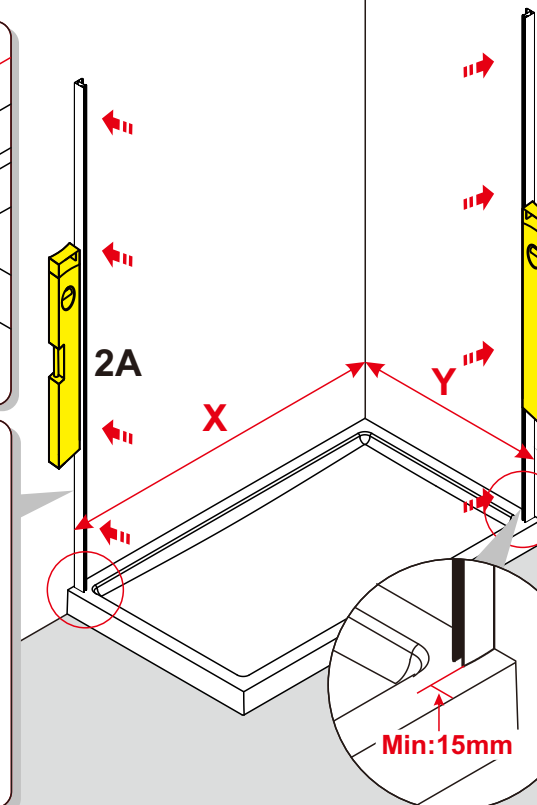
2B



INSIDE

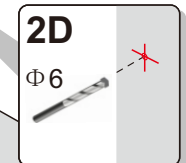
A06S0058

2C



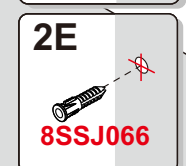
Size Taille Größe Maat	X
900+	865-890
1000+	965-990
1100+	1065-1090
1200+	1165-1190
1400+	1365-1390
1600+	1565-1590
1700+	1665-1690

Size Taille Größe Maat	Y
760	725-750
800	865-890
900	965-990



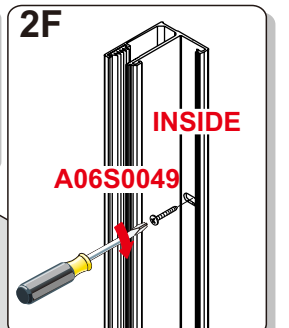
2D

Φ6



2E

8SSJ066

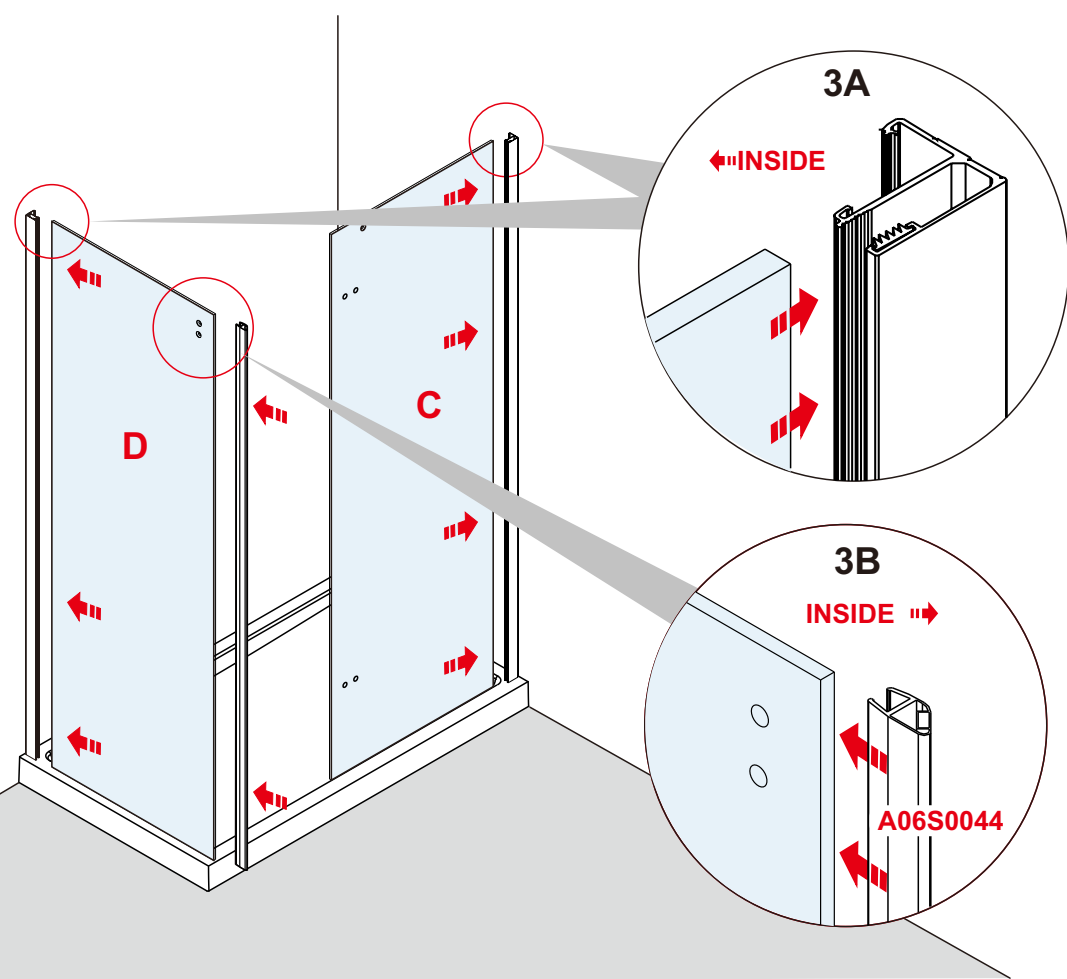


2F

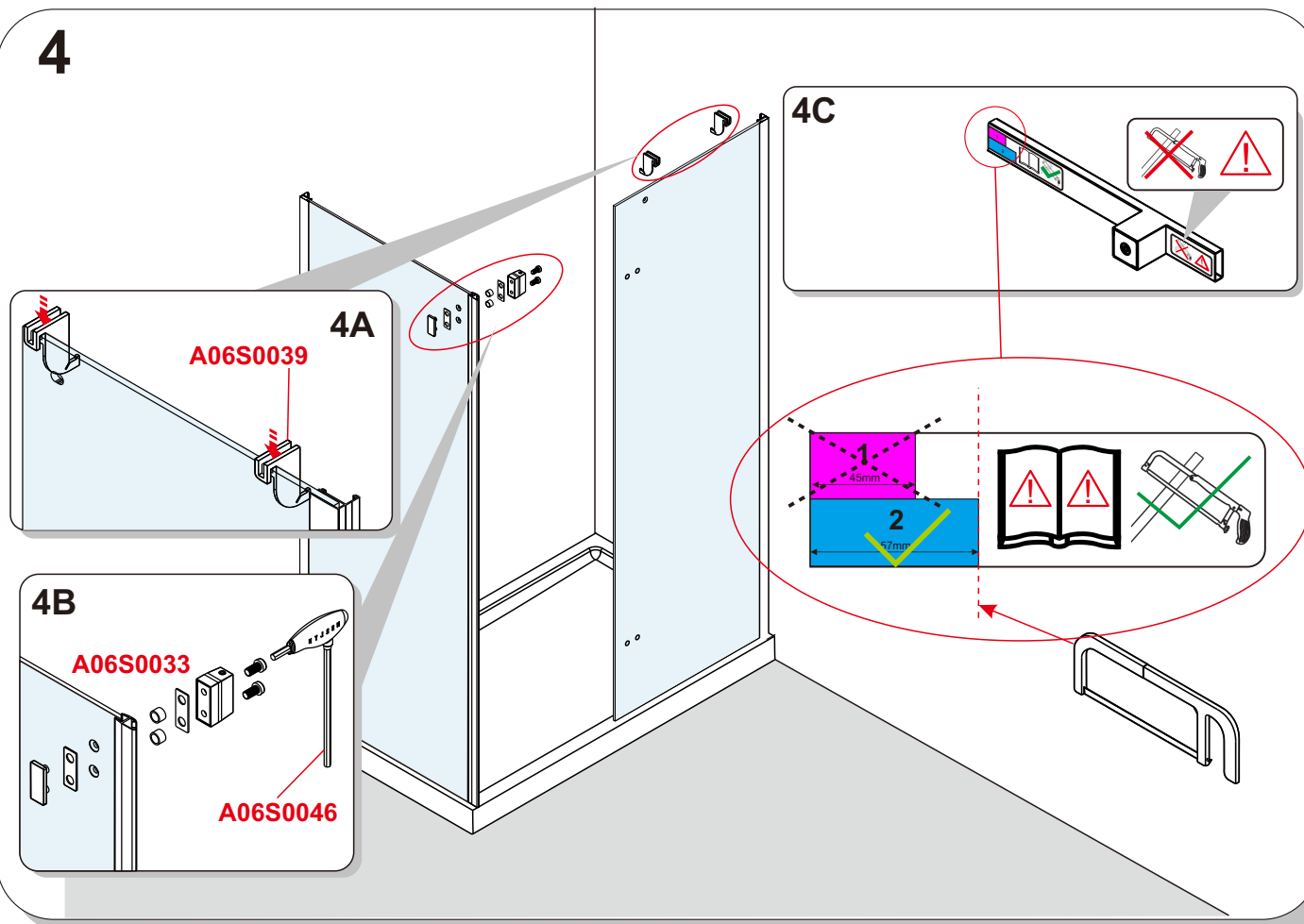
INSIDE

A06S0049

3

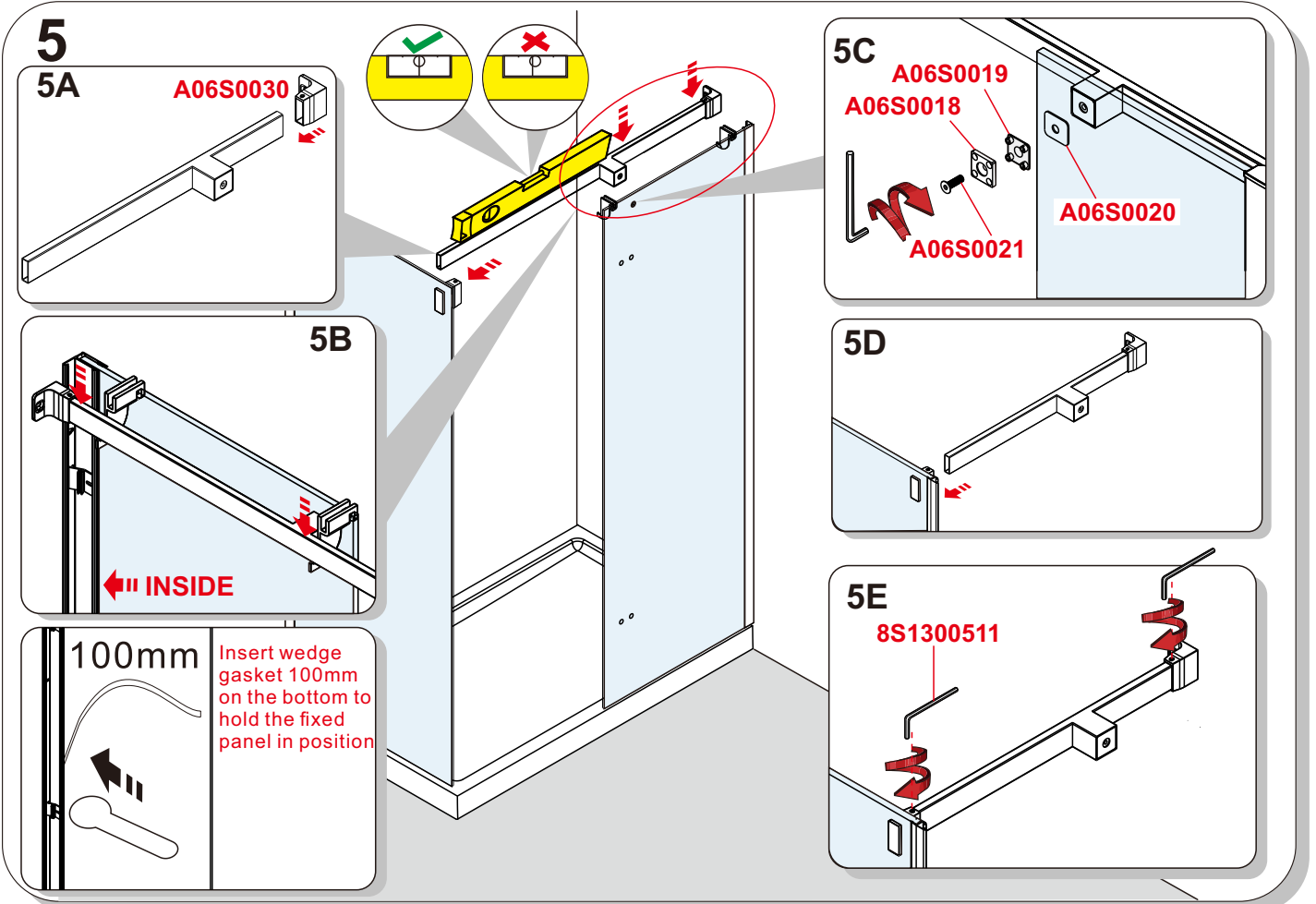


4

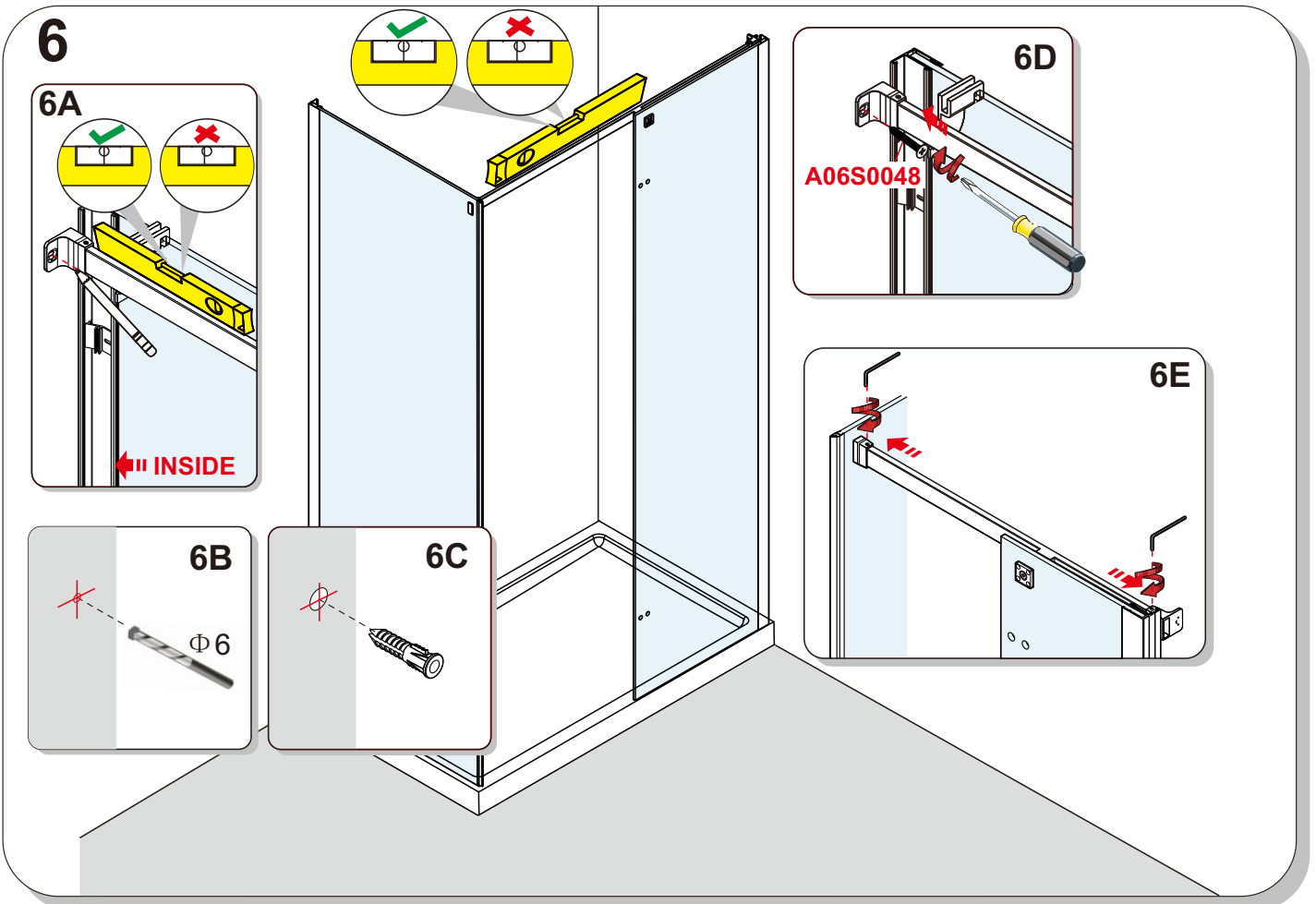


5.

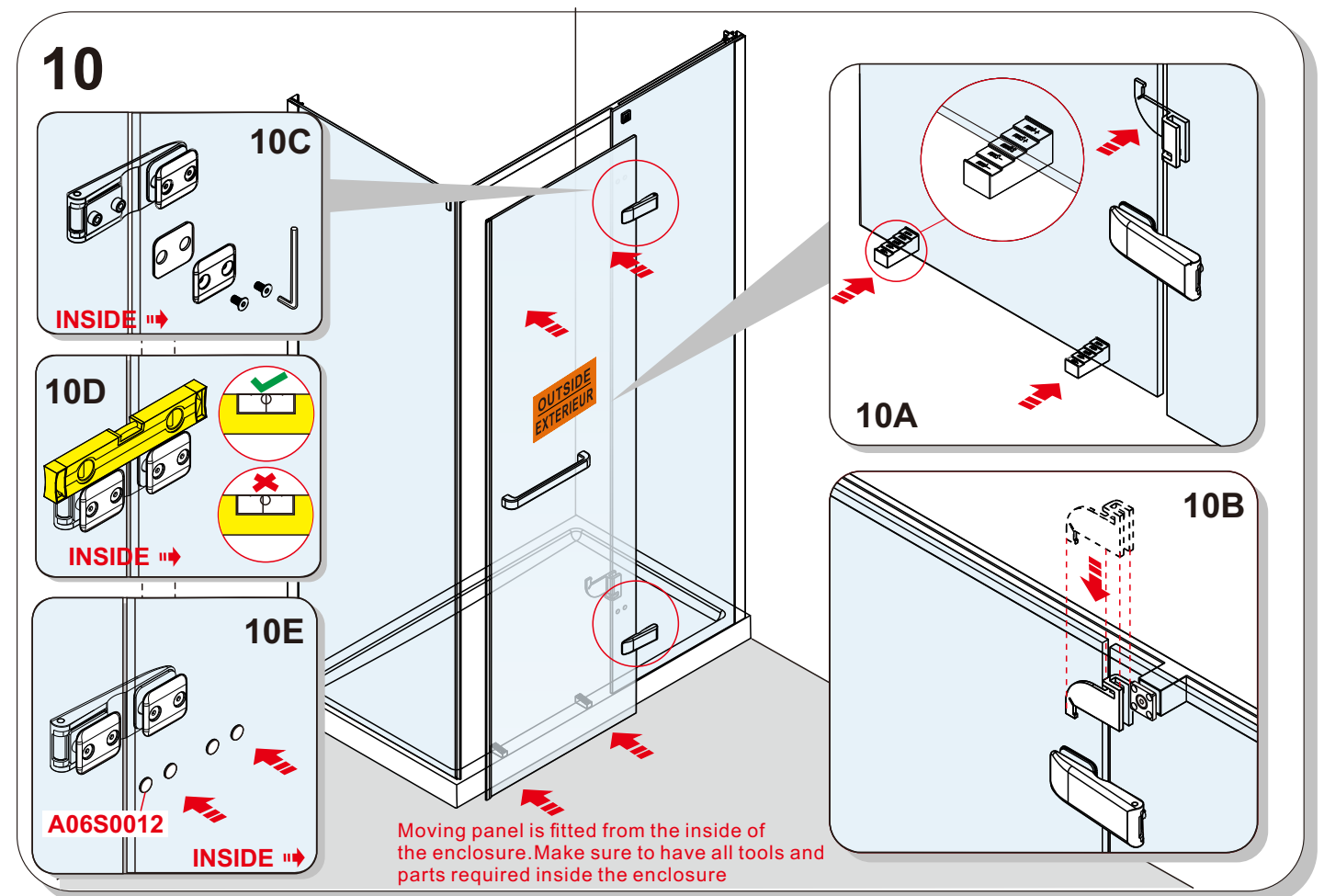
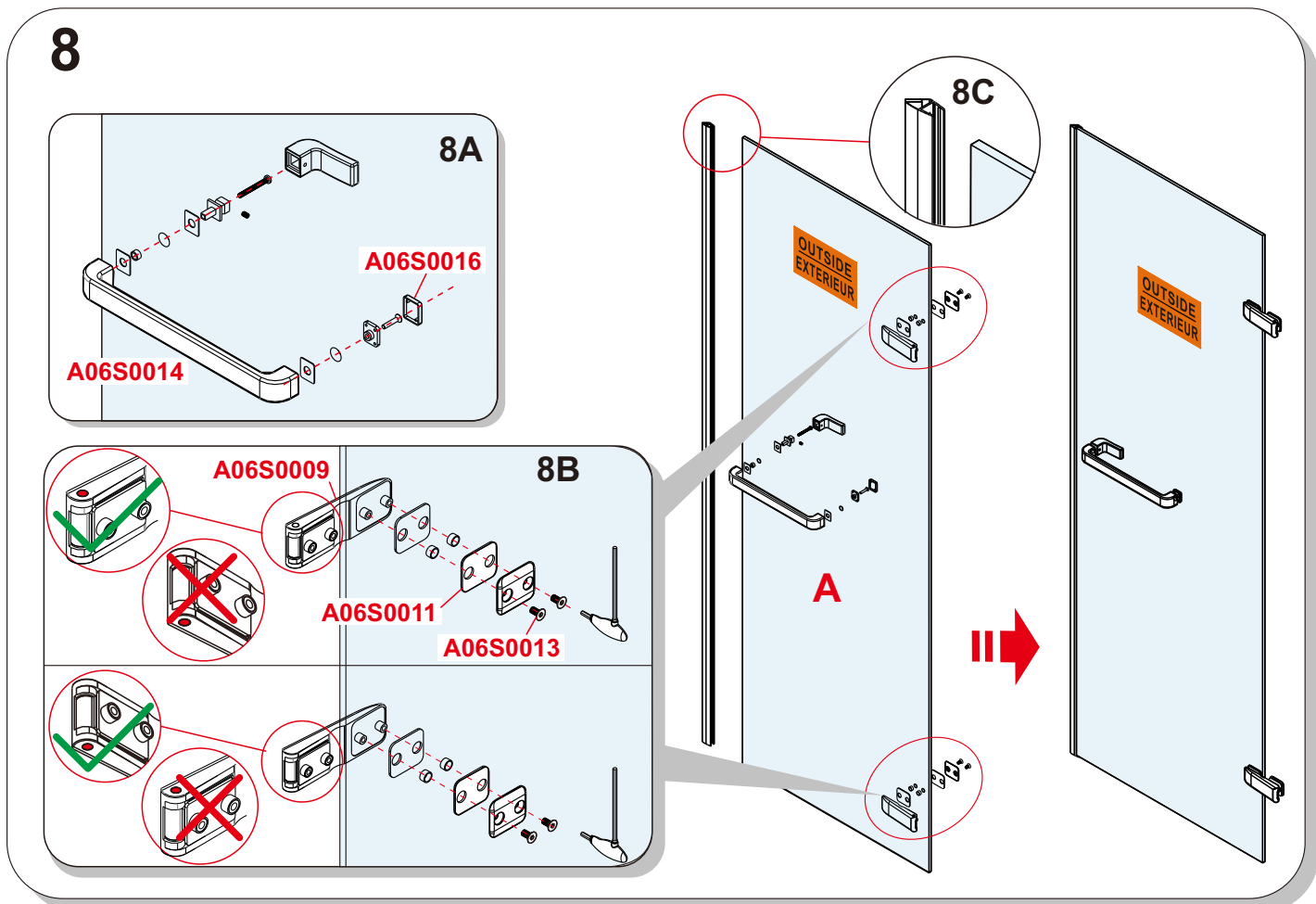
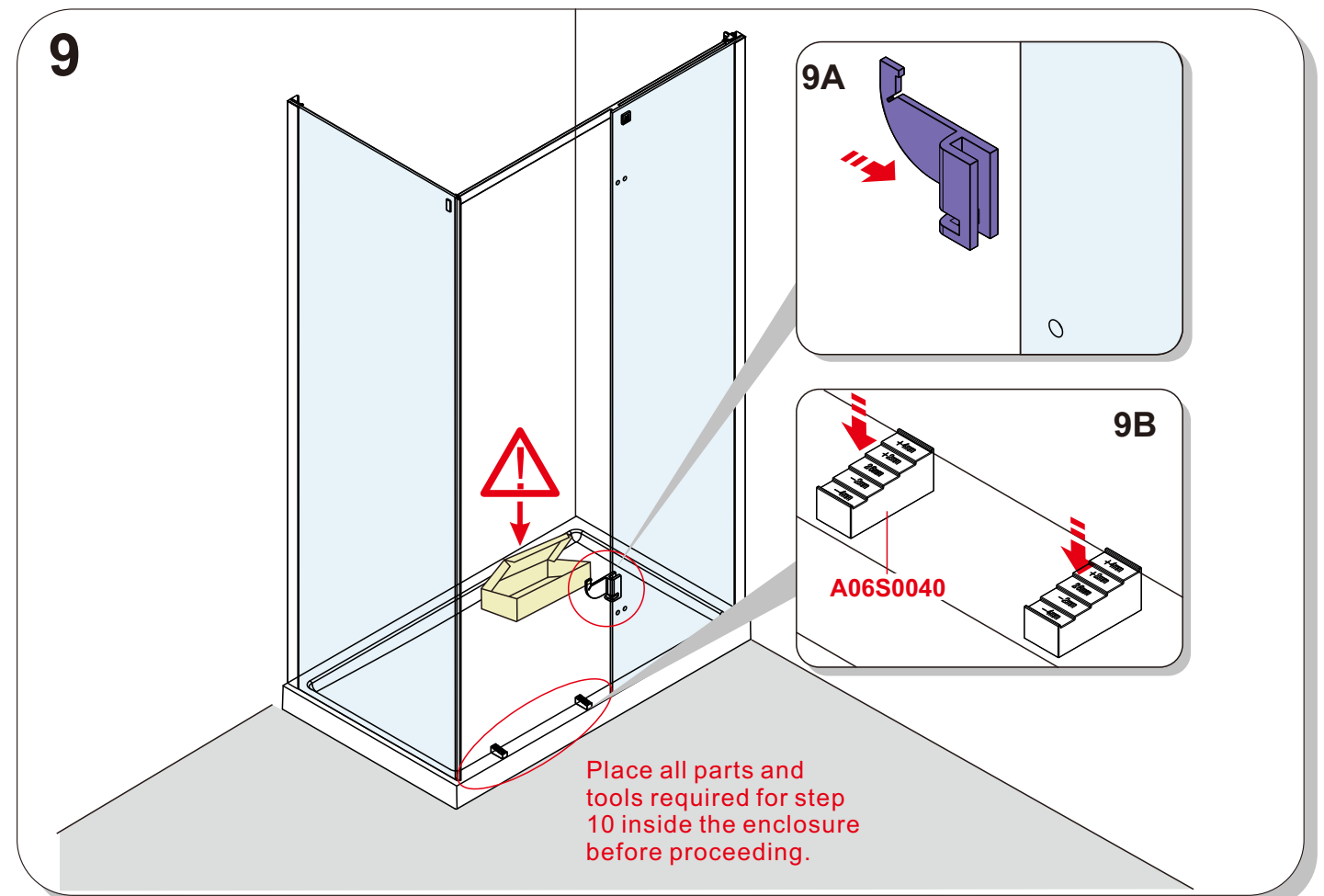
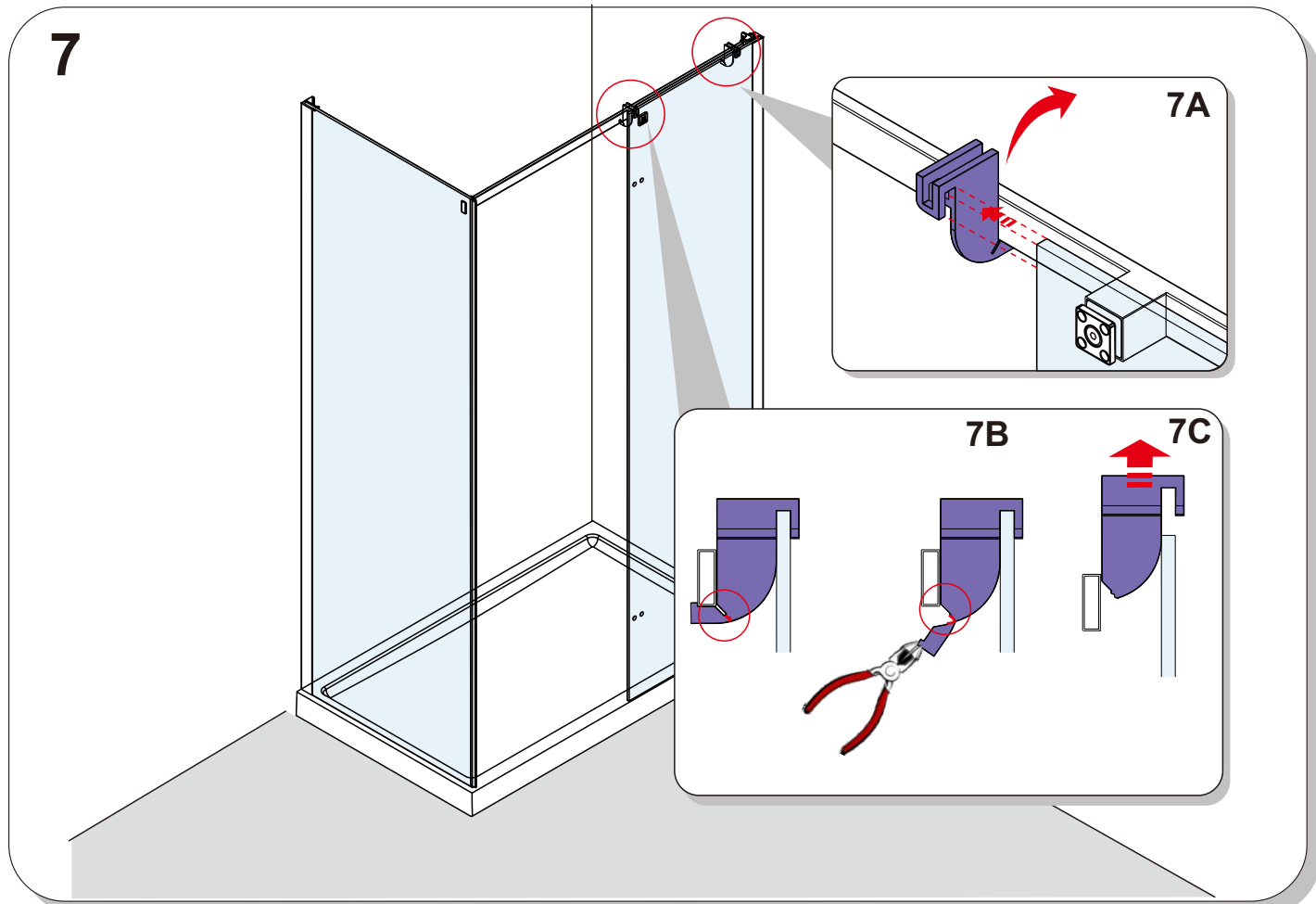
5



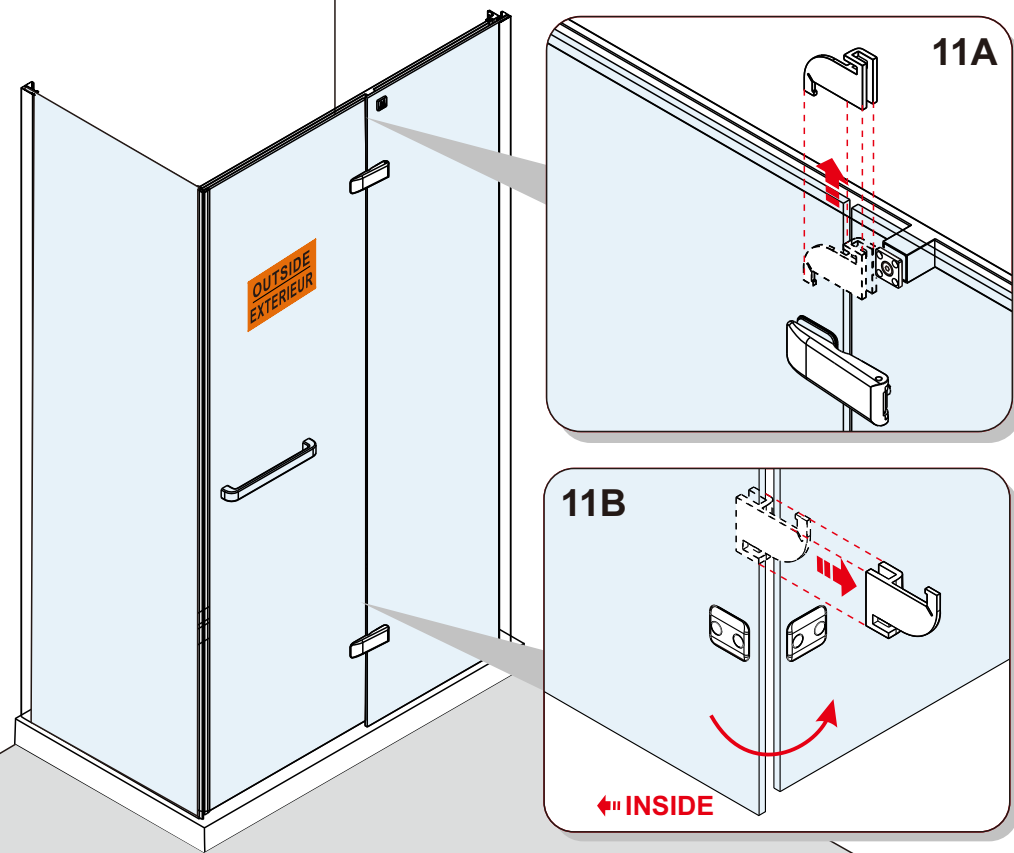
6



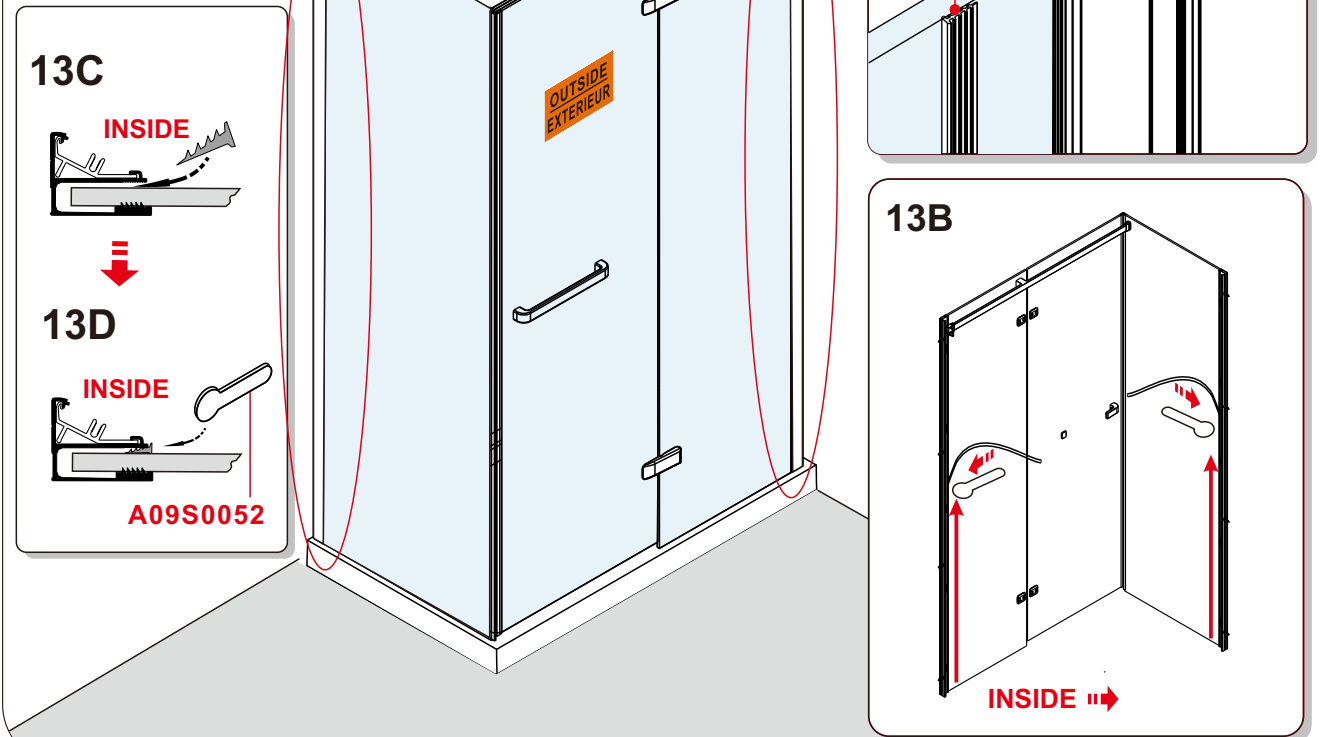
6.



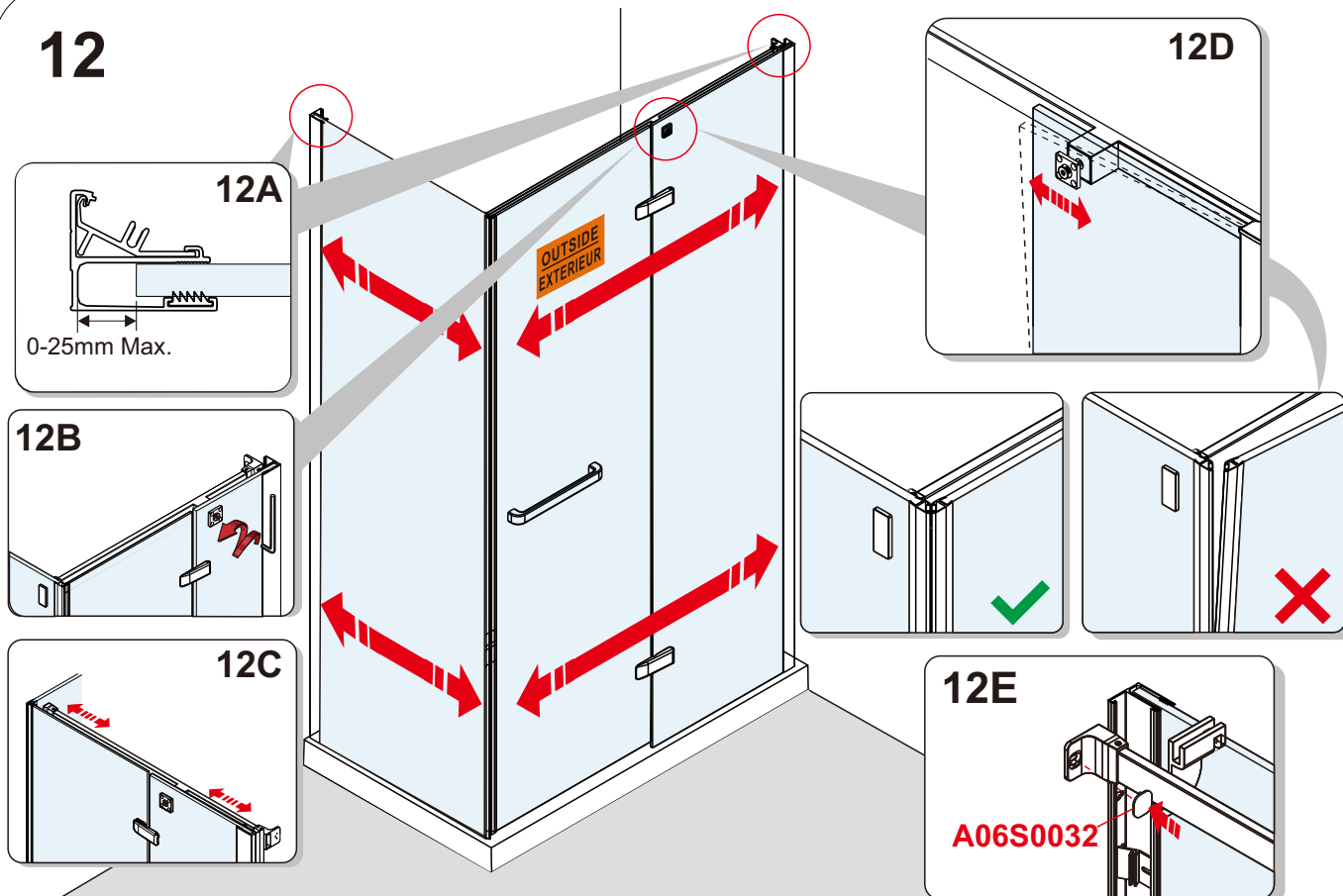
11



13

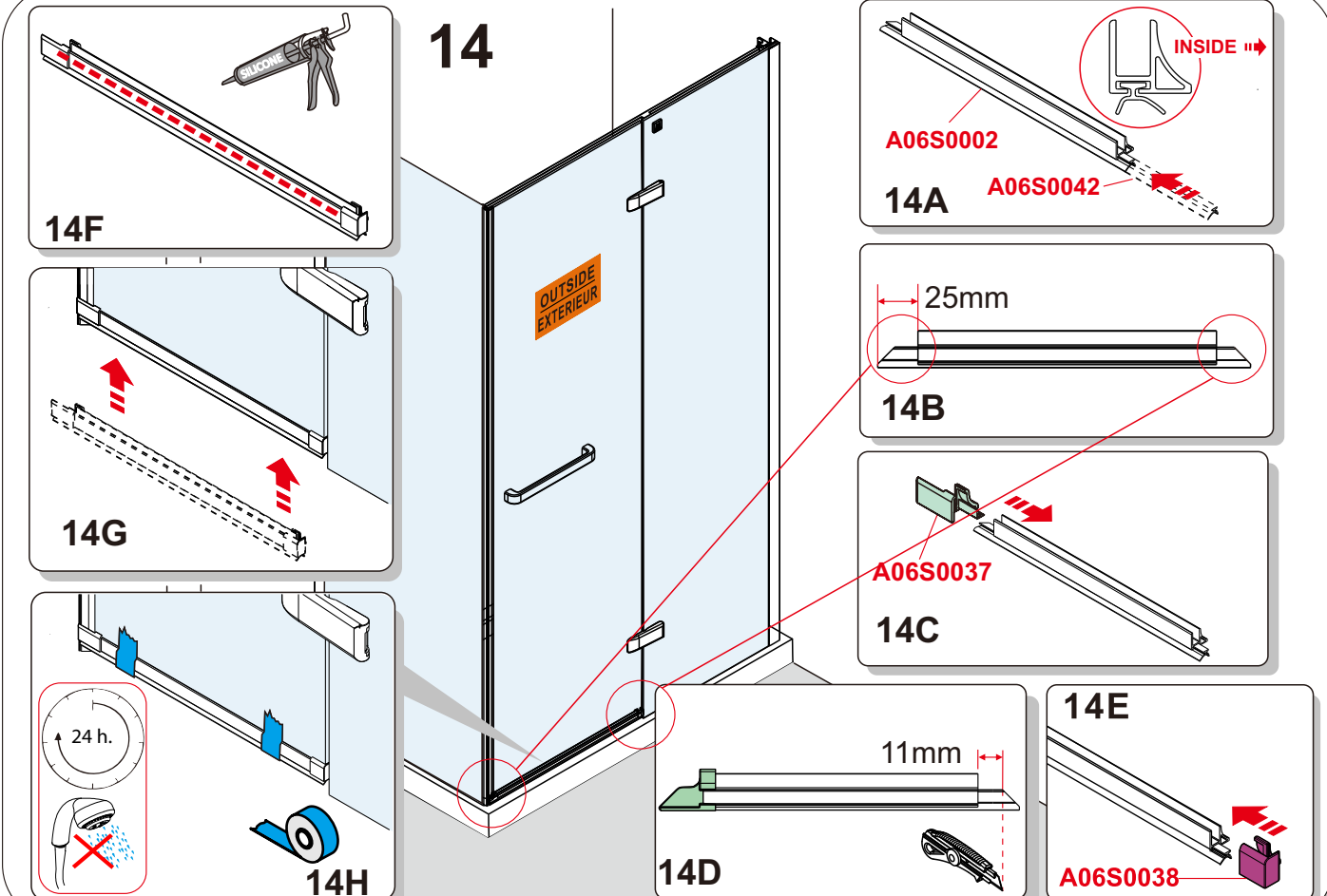


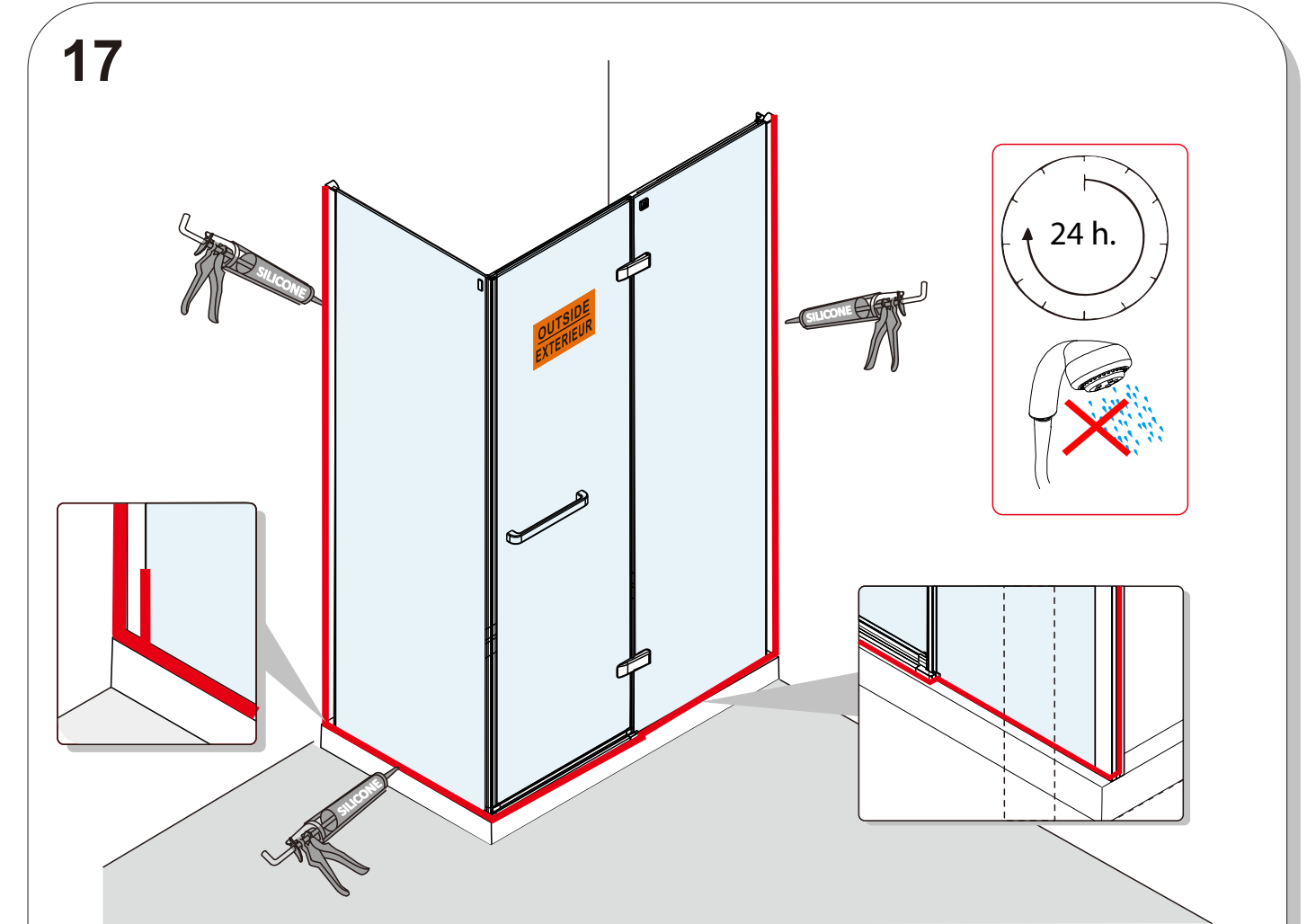
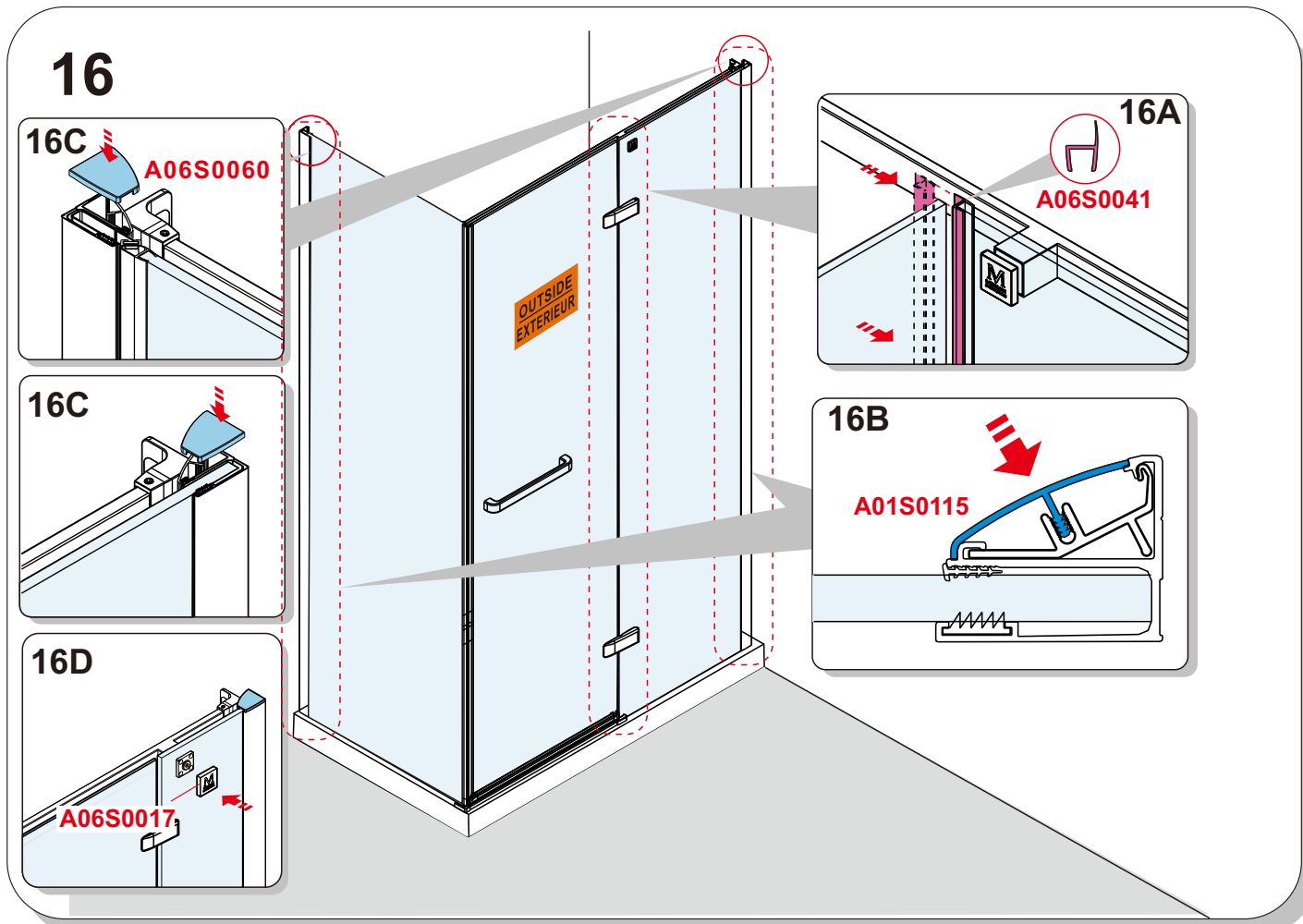
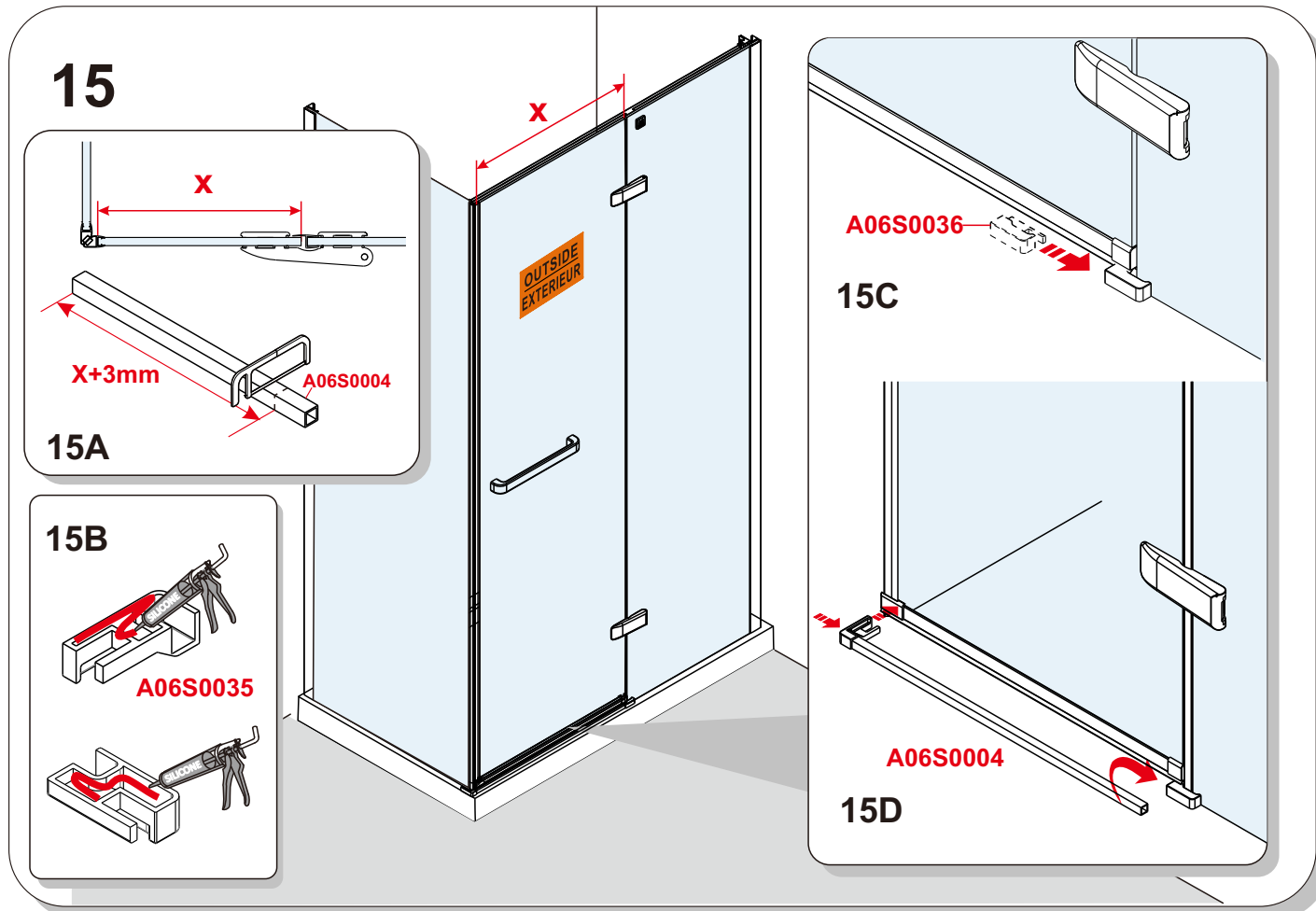
12



If necessary loosen all screws and make final adjustments to align both magnet seals. When seals are aligned fully tighten all screws and fit bracket cover caps.

14





For further information please contact:
 Pour plus d'informations, contacter s'il vous plaît:
 Für weitere Informationen kontaktieren Sie bitte:
 Voor meer informatie, neem contact op met:

www.merlynshowering.com

IRL:0567791555

UK:08081011429

FR:0800916586