

AGUABLU

ZA5646

Termostatico incasso doccia con deviatore 2/3 vie. / Built-in thermostatic shower mixer and 2/3 way diverter.



Termostatico incasso doccia da 1/2" e deviatore a 2/3 vie con apertura/chiusura acqua.

1/2" built-in thermostatic shower mixer and 2/3 way diverter with water on/off function.

R97810

Parte incasso termostatico 2 vie / Built-in part -
2 way thermostatic mixer



R97815

Parte incasso termostatico 3 vie / Built-in part -
3 way thermostatic mixer



Finiture / Finishes

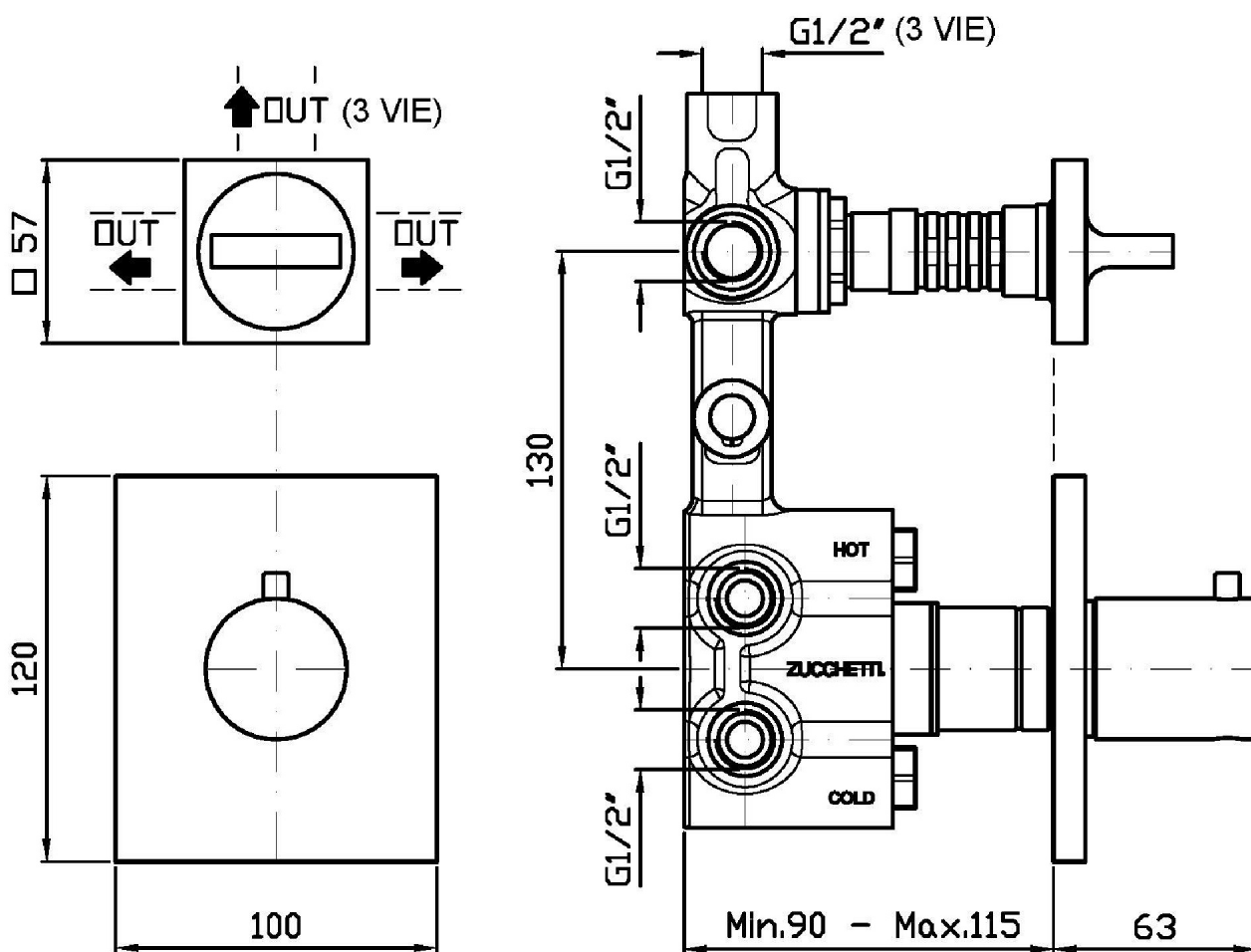


Cromo / Chrome

AGUABLU

ZA5646

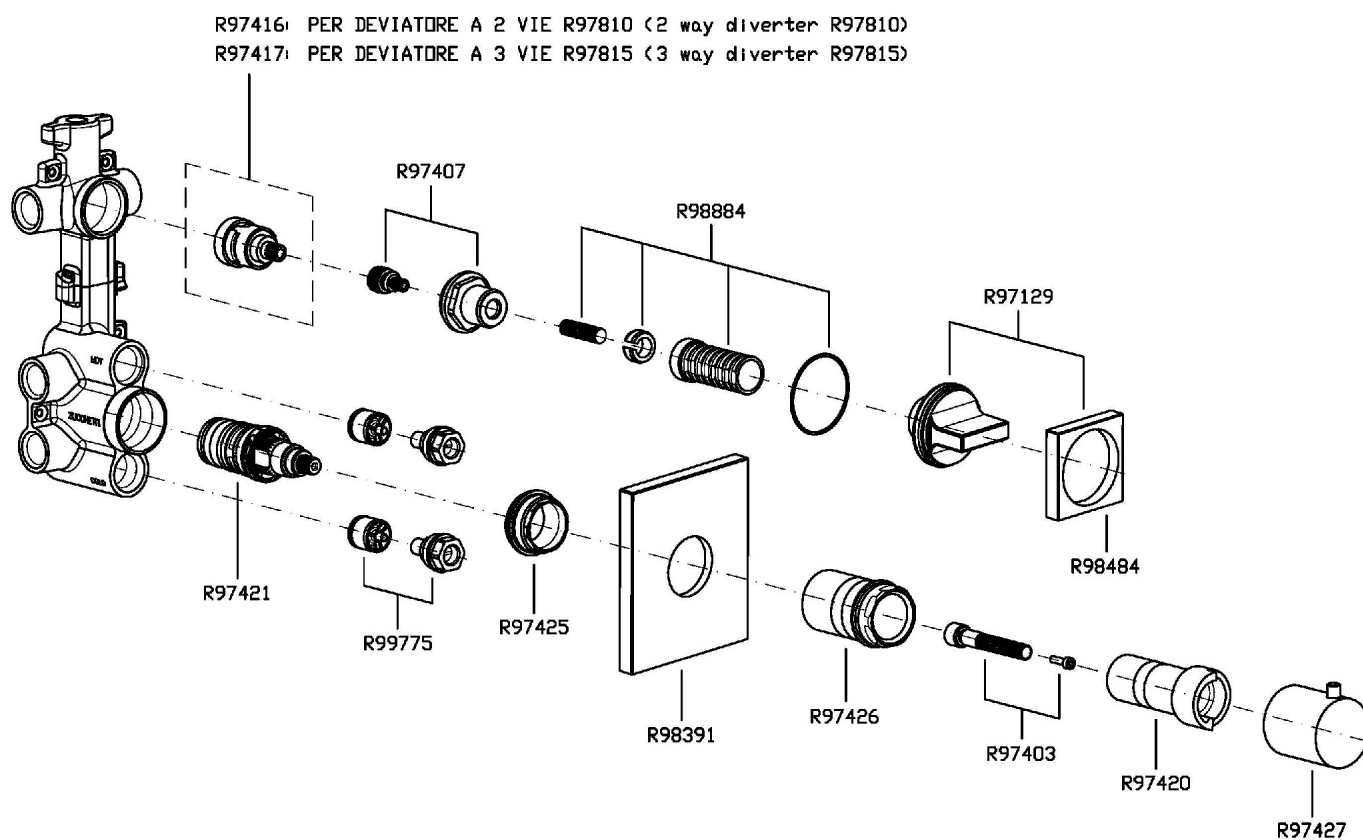
Disegno Complessivo / Overall Drawing



AGUABLU

ZA5646

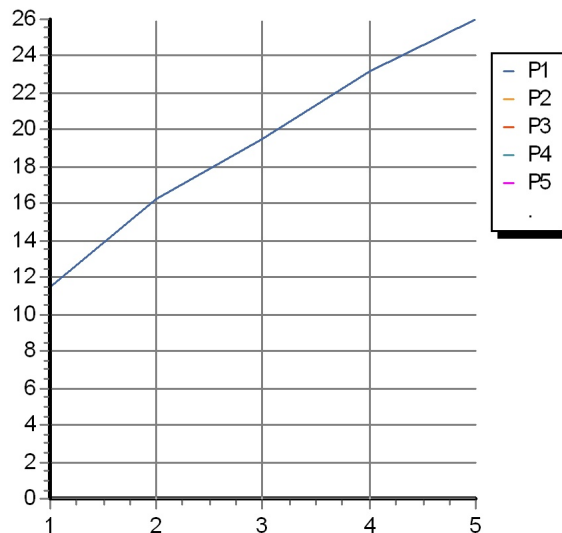
Esplosi / Exploded



AGUABLU

ZA5646 Portate / Flowrates (lt/min)

| PRESSIONE PRESSURE | 1 BAR | 2 BAR | 3 BAR | 4 BAR | 5 BAR |
|------------------------|-------|-------|-------|-------|-------|
| DEVIATORE <i>P1</i> | 11,5 | 16,2 | 19,5 | 23,2 | 26 |
| <i>P2</i> | | | | | |
| <i>P3</i> | | | | | |
| <i>P4</i> | | | | | |
| <i>P5</i> | | | | | |



AGUABLU

ZA5646 Pesì e Misure / Weights and Sizes

| | | |
|-------------------------------|---------------|----------------|
| Peso (Kg) Weight (lb) | 1,92 (Kg) | 4,23 (lb) |
| Volume test (dc3) - (in3) | 11,01 (dc3) | 671,87 (in3) |
| h (mm) - (in) | 90,00 (mm) | 3,54 (in) |
| L1 (mm) - (in) | 335,00 (mm) | 13,19 (in) |
| L2 (mm) - (in) | 365,00 (mm) | 14,37 (in) |

