

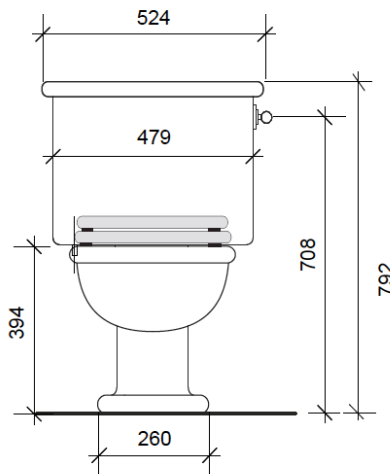
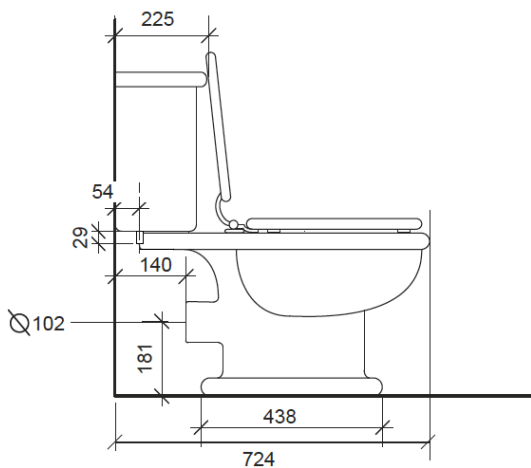
ROCKWELL LAVATORY PAN WITH CLOSE COUPLED CISTERN

The Rockwell lavatory pan is shown here with a close coupled cistern, seat and flush handle in green/Willow. It can also be used with a low level or concealed cistern. Other colors available: white/Snowdrop, blue/Powder and yellow/Sherbet. Manufactured in England in the traditional manner.

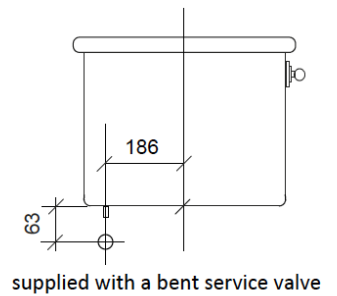


Side view

Front view

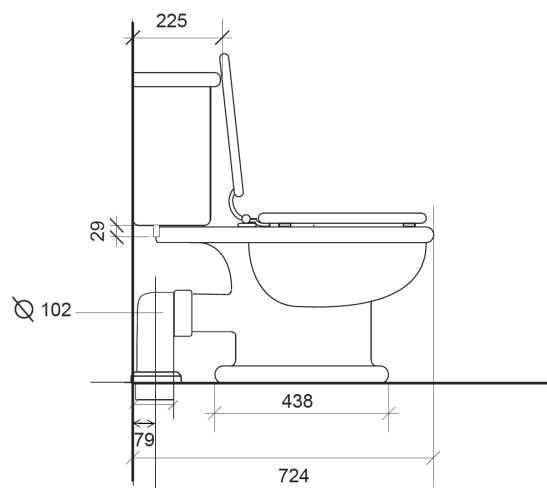
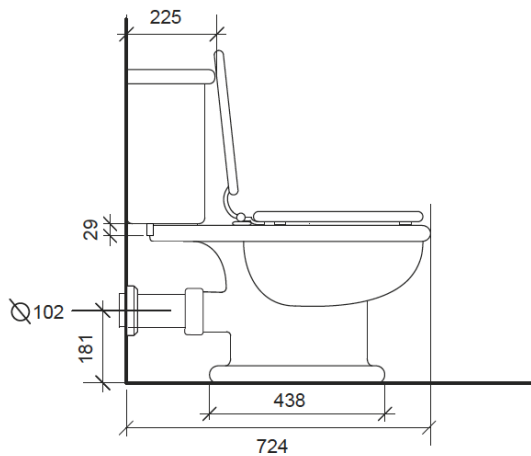


Cistern inlet pipe position diagram



Side view with optional horizontal pan connector

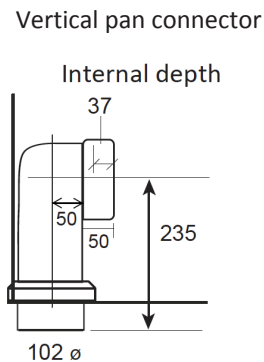
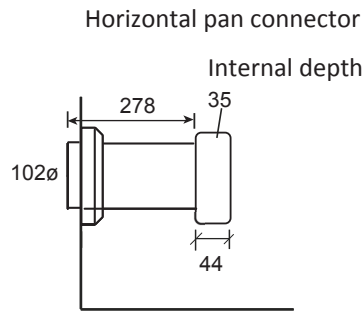
Side view with optional vertical pan connector. Collar can only be used if collar is cut or wall cut by 10mm



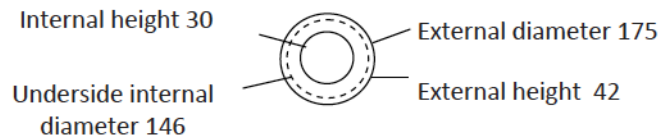
THE
WATER/
MONOPOLY

ROCKWELL LAVATORY PAN WITH CLOSE COUPLED CISTERN

(Page 2/2)



Collar for horizontal and vertical pan connector



Technical Details

Flush motion: Syphonic with flush handle
Depth: 724mm
Height: 792mm
Inlet connection size: 1/2"
Cistern width: 524mm
Rim height: 394mm
Water Pressure Maximum: 6 bar
Water Pressure Minimum: 1 bar
Outlet size: 102mm
Water consumption: 6 litres
Optional china pan connector, straight or 90° available

Codes and Standards

Ceramic complies to CE Standards
Flush mechanism complies to WRAS Standards



Product Notes

All dimensions (in mm) are based on original specifications and are subject to change and variation.

THE
WATER/
MONOPOLY

10/14 Lonsdale Road, London, NW6 6RD
+44 (0)20 7624 2636 thewatermonopoly.com