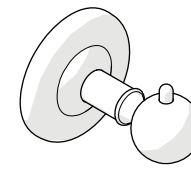


INSTALLATION GUIDELINES

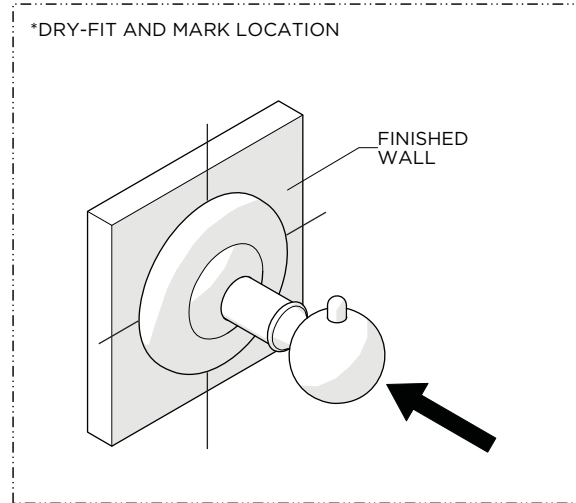


STYLE No. RGRH01

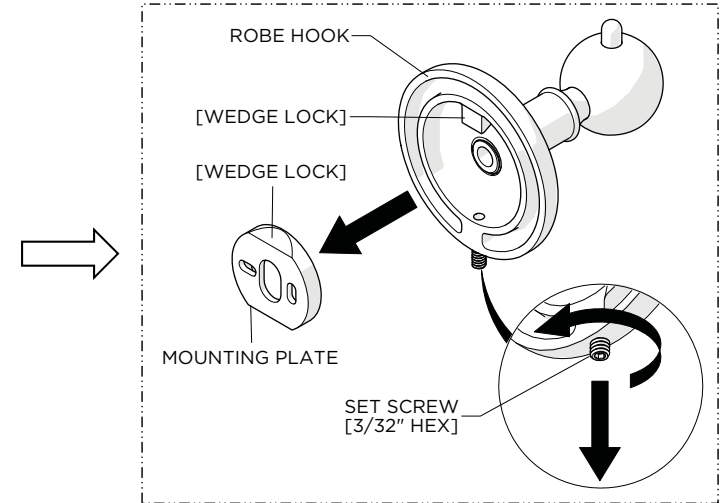
Regulator Robe Hook

IMPORTANT:

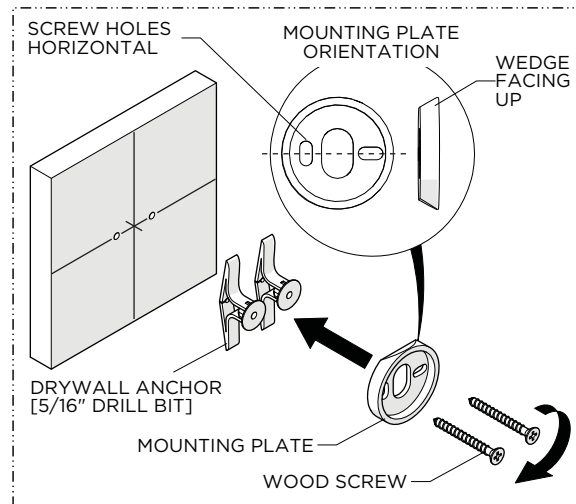
- To ensure this product is installed properly, you must read and follow these guidelines.
- The owner/user of this product must keep this information for further reference.
- This product must be installed by a professional licensed contractor.
- Inspect this product to ensure you have all the parts required for proper installation.
- If further assistance is required, please contact Product Support at 1-800-927-2120 Monday through Friday, 8am - 6pm EST.
- Refer to the separate Service Parts Documents for available replacement parts.



1. Dry-fit the product to the finished wall and mark the ideal location for installation.

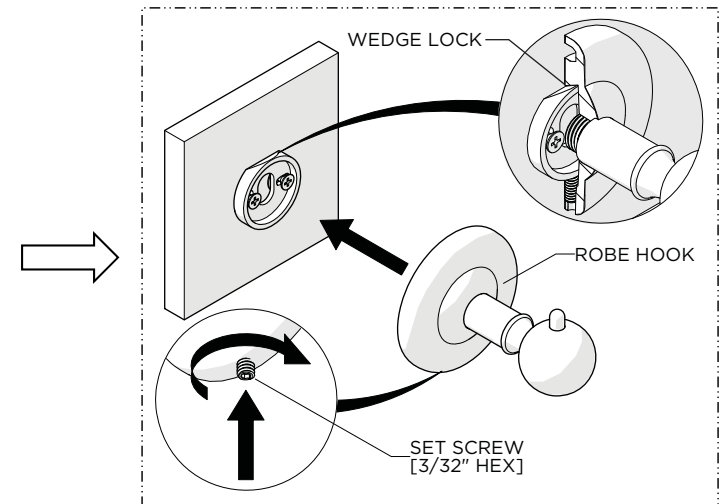


2. Loosen, but do **NOT** remove, the SET SCREW on the bottom of HOOK using a 3/32" HEX KEY and remove the MOUNTING PLATE.



3. Using the previous marks as a reference, install the MOUNTING PLATE using the SCREWS and ANCHORS provided.

CAUTION: Ensure the MOUNTING PLATE is in the correct orientation.



4. Place the HOOK over the MOUNTING PLATE and securely tighten the SET SCREW.