

REGULATOR

RGSH10

Regulator Ceiling Mounted 10" Shower Rose, Arm and Flange



SHOWN IN REGULATOR CEILING MOUNTED 10" SHOWER ROSE, ARM AND FLANGE| RGSH10

TECHNICAL DETAILS

Adjustable versus Fixed Spray: Fixed
Escutcheon Primary Material: Brass
Fittings Hole Diameter: 1 1/2"
Flow Restriction Options: 2.5, 2.0, 1.75, 1.5
Depth / Width: 10 1/16"
Height: 10 15/16"
Inlet Connection Size: 3/4"
Inlet Connection Type: Male NPT
Length: 10 1/16"
Primary Material: Brass
Suggested Application: Bath
Water Pressure Maximum: 85.0 psi
Water Pressure Minimum: 20.0 psi
Water Pressure Recommended: 45.0 psi

INSPIRATION

A play on industrial controls from the early 1900s, when pride was lavished on parts. Translated to handcrafted, fittings project rugged beauty through powerful, detailed shapes.

PRODUCT FEATURES

Includes 10" metal rain head with easy clean rubber nozzles

Stocked in Nickel, Chrome and Unlacquered Brass

Standard flow rate is 2.5gpm (9.5 L/min). Also available in high efficient flow options. Contact your sales associate or call 1 (800) 899-6757 for details.

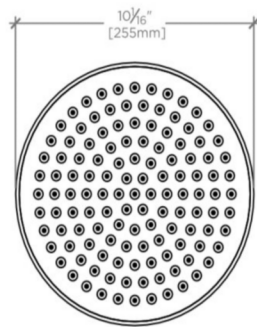


WATERWORKS

REGULATOR

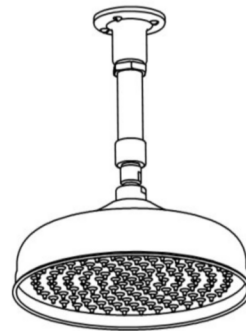
RGSH10

Regulator Ceiling Mounted 10" Shower Rose, Arm and Flange



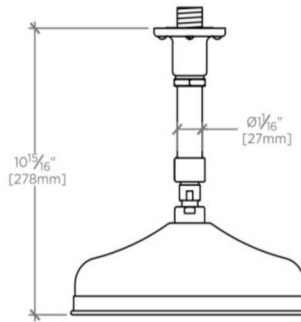
TOP VIEW

SCALE: 2"=1'-0"



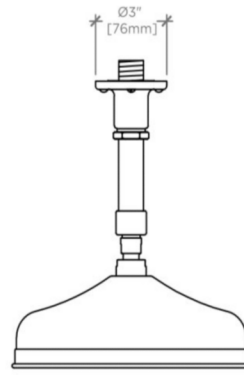
ISO VIEW

SCALE: 2"=1'-0"



FRONT VIEW

SCALE: 2"=1'-0"



SIDE VIEW

SCALE: 2"=1'-0"