

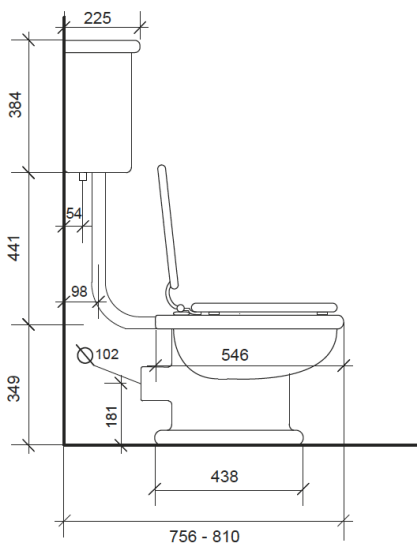
ROCKWELL LAVATORY PAN WITH LOW LEVEL CISTERN

The Rockwell lavatory pan is shown here with a low level cistern, seat and flush handle in white/ Snowdrop. Other Rockwell colored ceramics available: green/Willow, blue/Powder and yellow/Sherbet. It can also be used with a close coupled or concealed cistern.

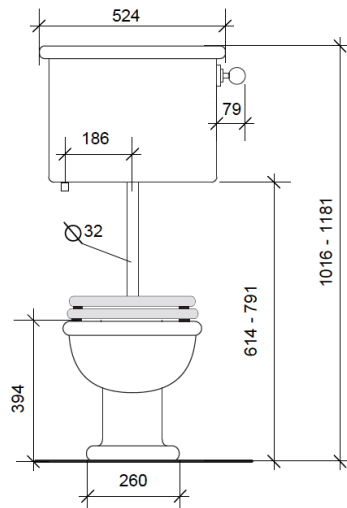
Produced in a traditional manner in England.



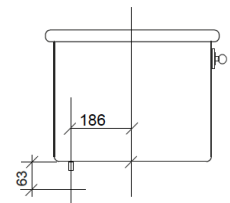
Side view



Front view

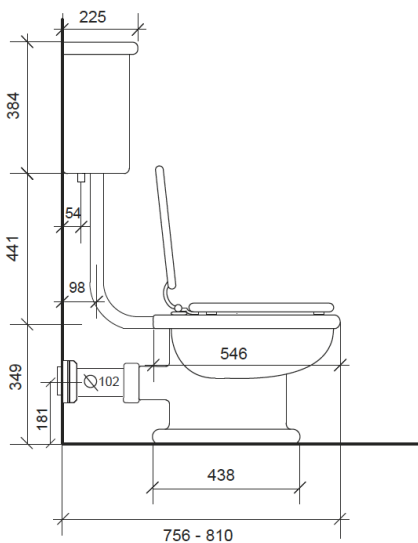


Cistern inlet pipe position diagram

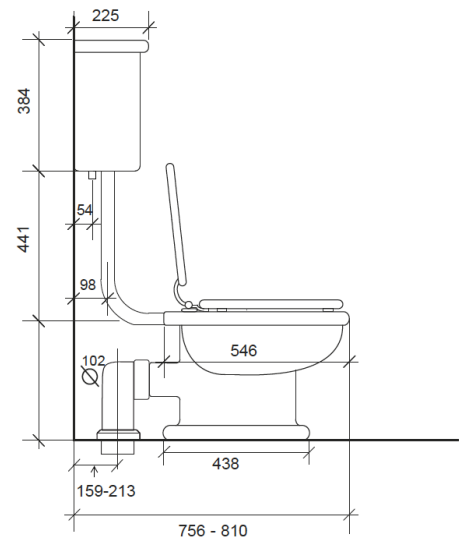


supplied with a bent service valve

Side view with optional horizontal pan connector



Side view with optional vertical pan connector

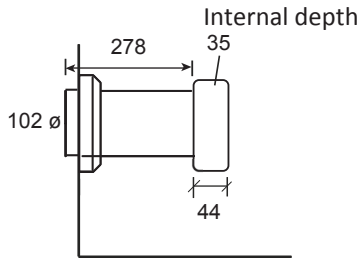


THE
WATER/
MONOPOLY

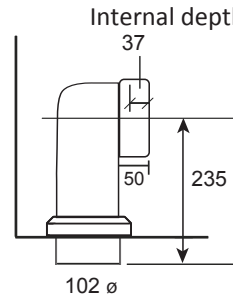
ROCKWELL LAVATORY PAN WITH LOW LEVEL CISTERN

(Page 2/2)

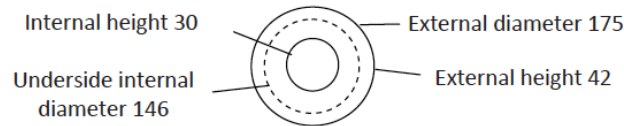
Horizontal pan connector



Vertical pan connector



Collar for horizontal and vertical pan connector



Technical Details

Flush motion: Syphonic with flush handle

Depth: 756 - 810mm

Height: 1016 - 1181mm

Inlet connection size: 1/2"

Cistern width: 524mm

Rim height: 394mm

Water Pressure Maximum: 6 bar

Water Pressure Minimum: 1 bar

Outlet size: 102mm

Water consumption: 6 litres

Optional china pan connector, straight or 90° available

Codes & Standards

Ceramic complies to CE Standards

Flush mechanism complies to WRAS Standards



Product Notes

All dimensions (in mm) are based on original specifications and are subject to change and variation.

THE
WATER/
MONOPOLY

10/14 Lonsdale Road, London, NW6 6RD
+44 (0)20 7624 2636 thewatermonopoly.com

Page 2/2
V:02.07.2020