







F	∅8		4
E	M8x80		4
D	5mm		1
C	∅6		4
B	M6x25		4
A	4mm		1
NO.	SIZE	DIAGRAM	QTY

FIG.
1

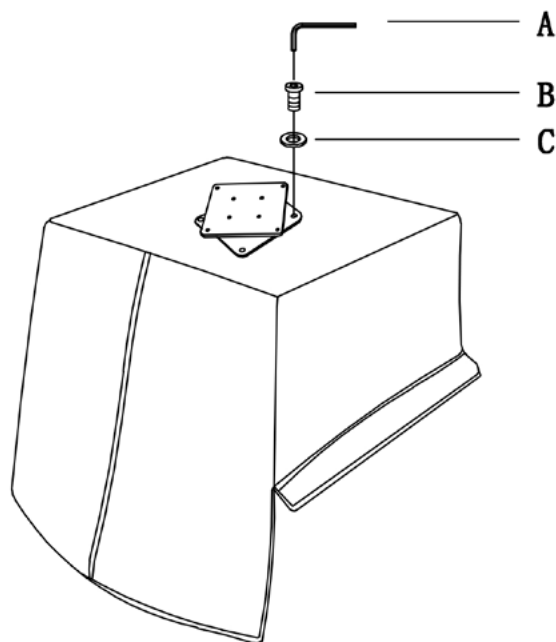


FIG.
2

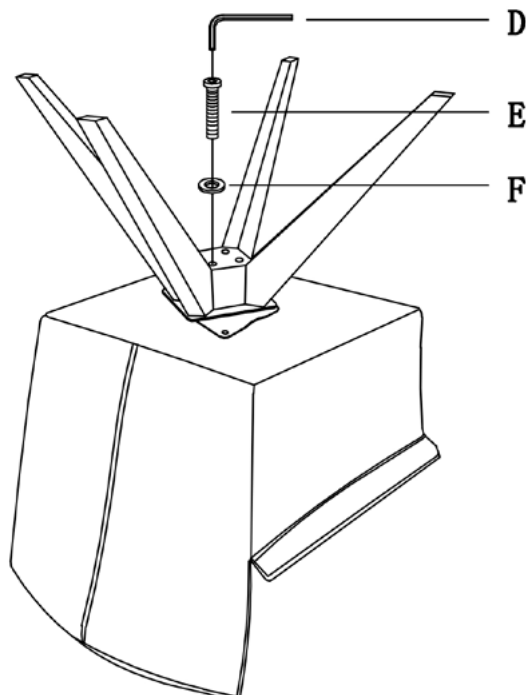


FIG.
3

