

## Hood New Wing 2512 0\_2

Hoods

Code: 2512 0\_2

Code: 2512 062 60 cm

Code: 2512 092 90 cm



### DETAILS

Material Stainless steel + glass

---

Texture Satin

---

Energy class A

---

Product details Undercabinet

---

Grease filters Aluminium grease filters: 2 filters for 60 cm hood, 3 filters for 90 cm hood

---

Operation Suction hood (filtering mode with optional carbon filters)

---

Air exhaust hole  $\varnothing$  150 mm

---

Lighting Illuminazione 2 LED (4.000 kelvin)

---

Air flow rate 620mc/h

---

Motor power 210W

---

Hood type Built-in suction hood

---

Type of commands Smart rotary control

---

Suction speed 4 operating speeds

---

Notes: Fume exhaust ducts must have an internal diameter not lower than 120 mm

---

## FEATURES

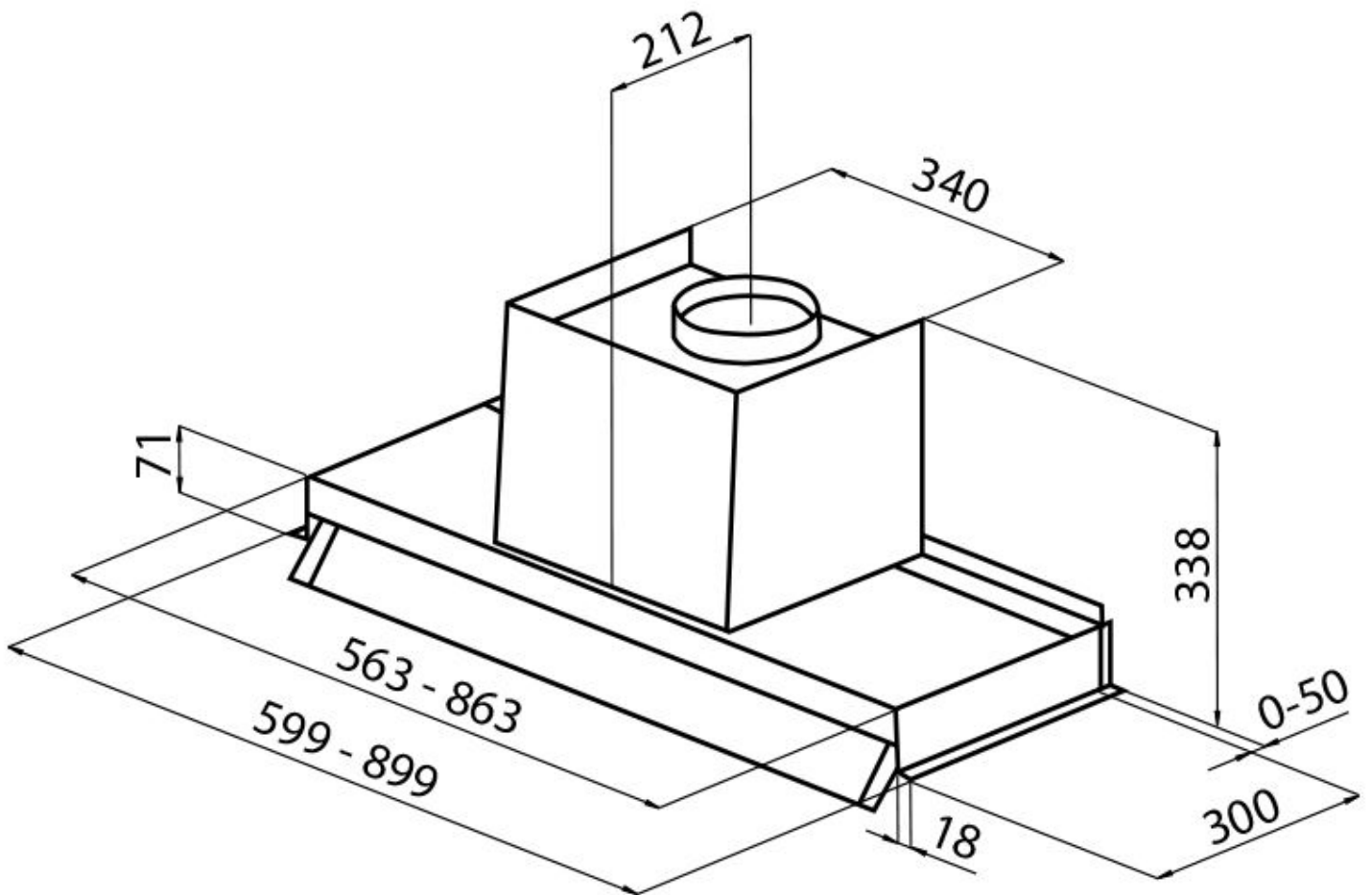
Hood distance 50 cm This hood is approved to be inserted even at a much lower than normal distance from the floor, up to 50 cm, all to the benefit of his suction efficiency.

---

Led lighting Particular attention to energy saving with LED lighting systems. They assure a 10 times lower consumption and a 10 times longer duration. Our LED lights are designed to create an adequate comfort and safety in the cooking area.

---

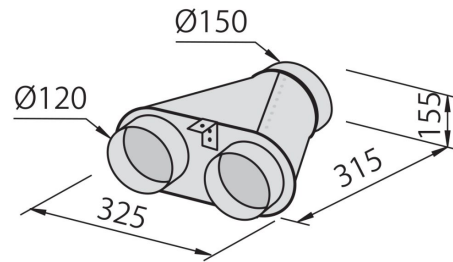
## TECHNICAL DATA



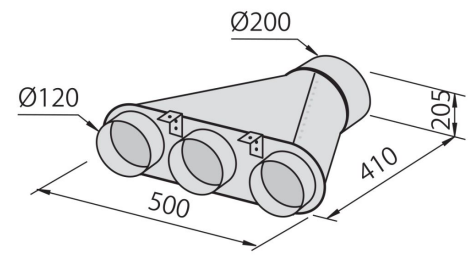
## OPTIONAL ACCESSORIES



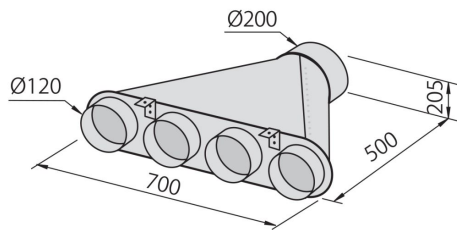
Carbon filters kit 9700 221



Collector for 2 pipes 2523 000



Collector for 3 pipes 2524 000



Collector for 4 pipes 2525 000



Flexible silencing canalization  
9700 602



Flexible silencing canalization  
9700 603