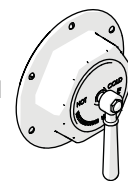


INSTALLATION GUIDELINES



STYLE No. RGTH01, RGTH02

Regulator Thermostatic Control Valve Trim with Black/Metal Wheel Handle



STYLE No. RGTH10, RGTH11

Regulator Thermostatic Control Valve Trim with Black/Metal Lever Handle

IMPORTANT:

- To ensure this product is installed properly, you must read and follow these guidelines.
- The owner/user of this product must keep this information for future reference.
- This product must be installed by a professional licensed contractor and must be onsite prior to rough-in, this allows the installer to visualize the installation.
- Be sure your installation conforms to federal state, and local codes. In the State of Massachusetts, all installations must comply with the rules and regulations set forth within 248 CMR.
- This product is intended to work with the Waterworks Universal 3/4" Thermostatic Valve (Style No. **GUTH37**) which only mixes hot and cold water. It does not have volume or shut-off capabilities. A diverter or wall valve control on/off/volume and must be installed for each fitting that will have water flowing to it. **ALL VALVES AND TRIMS SOLD SEPARATELY.**
- **WARNING:** GUTH37 features anti-scald protection. The risk of scalding exists until the installer has properly calibrated/adjusted the temperature setting during final trim installation.
- Inspect this product to ensure you have all the parts required for proper installation. Product is sold partially assembled but shown fully disassembled for illustrative and service purposes only.
- Use only a strap wrench or protected/smooth-jaw wrench on any finished surface.
- The use of certain plumber's putty may stain stone or tile surfaces.
- If further assistance is required, please contact Product Support at 1-800-927-2120 Monday through Friday, 8am - 6pm EST.
- Refer to the separate Service Parts Documents for available replacement parts.

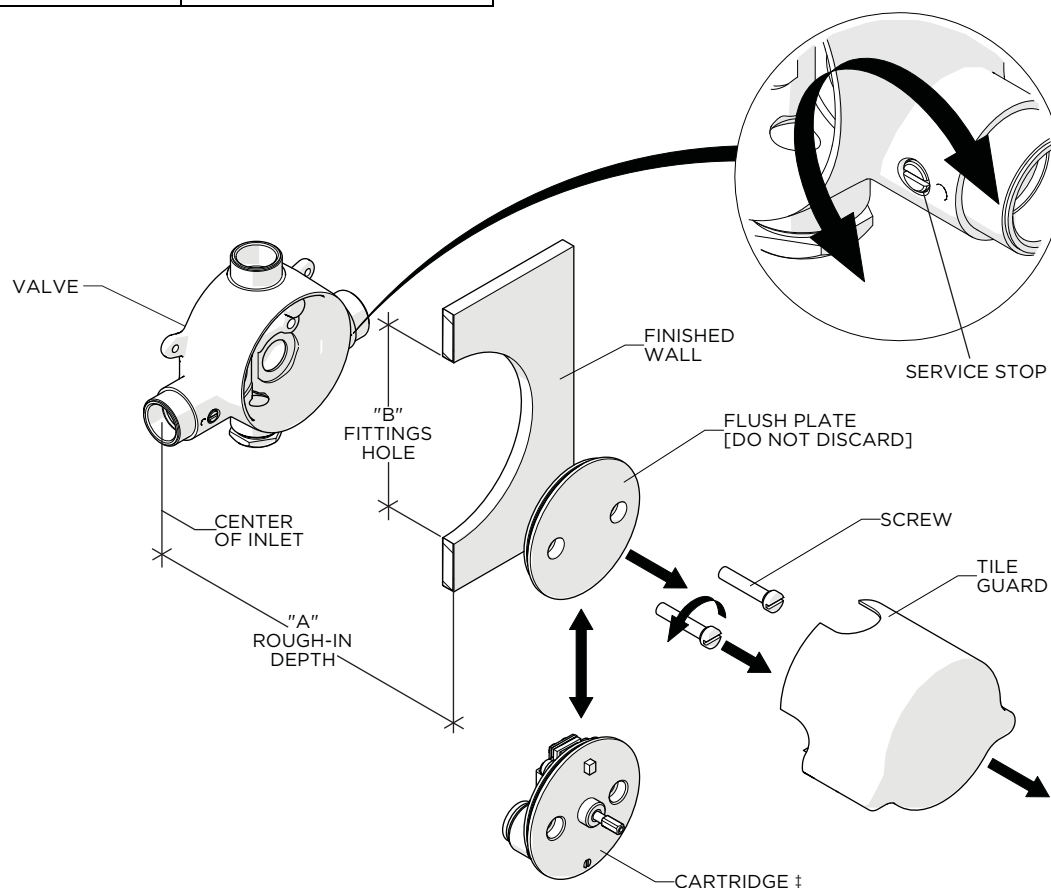
REQUIRED PLUMBING DETAILS:

- Universal 3/4" Thermostatic Valve
STYLE No. GUTH37

ROUGH-IN AND VALVE PREPARATION:

- **CAUTION:** Make sure the supply lines are flushed prior to final trim installation using the FLUSH PLATE provided with the VALVE. Refer to the Installation Guidelines provided with the VALVE for further information on how to properly flush the supply lines.

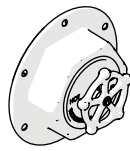
DIMENSION	VALUE
A	2-1/2" MIN [64mm]
B	Ø5-1/4" [133mm]



‡ **IMPORTANT:** The CARTRIDGE is packaged separately and provided with the VALVE.

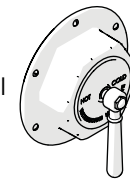
WATERWORKS

INSTALLATION GUIDELINES



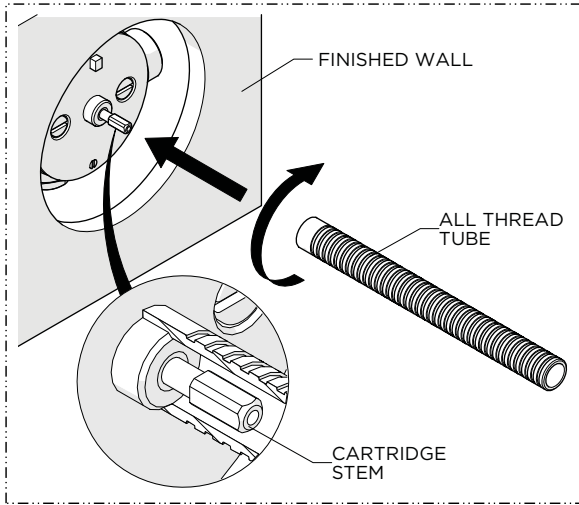
STYLE No. RGTH01, RGTH02

Regulator Thermostatic Control Valve Trim with Black/Metal Wheel Handle

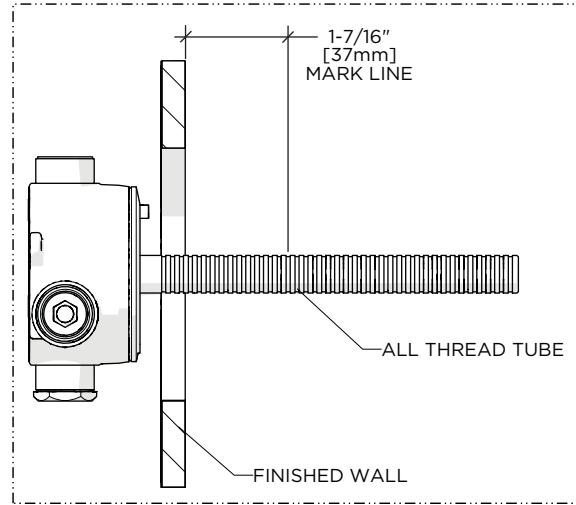


STYLE No. RGTH10, RGTH11

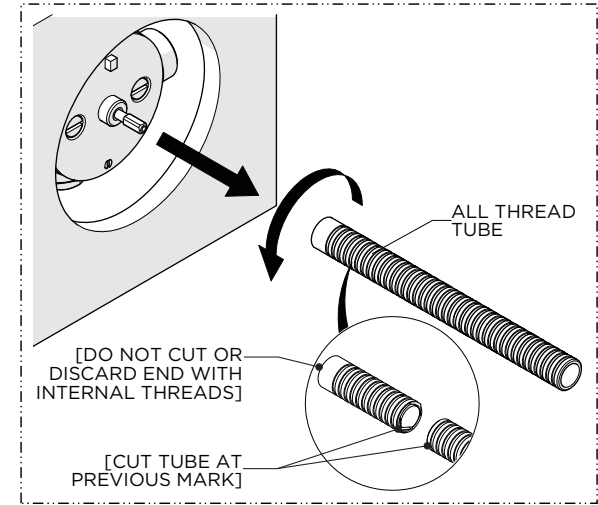
Regulator Thermostatic Control Valve Trim with Black/Metal Lever Handle



1. Thread the ALL THREAD TUBE onto the CARTRIDGE until it stops.

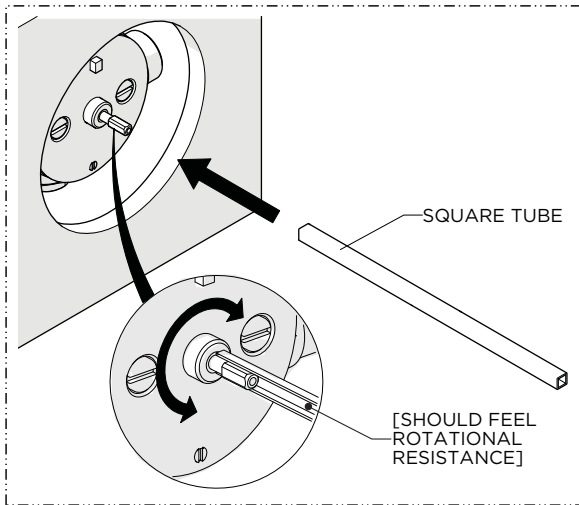


2. Mark the ALL THREAD TUBE 1-7/16" [37mm] in front of the finished wall.



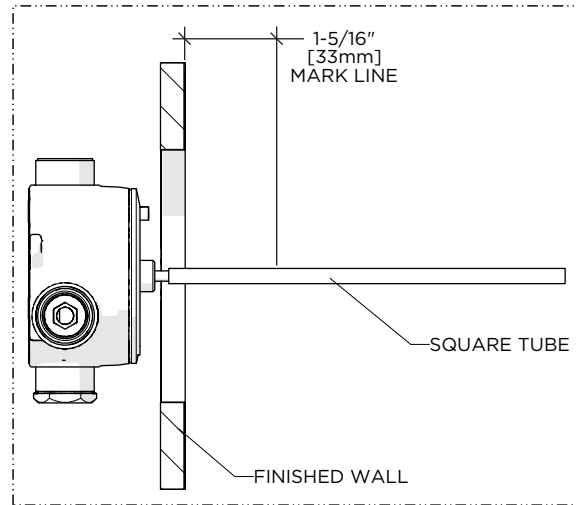
3. Unthread and remove the ALL THREAD TUBE then cut the TUBE at the previous mark.

NOTE: Do **NOT** cut or discard the end with the internal threads.

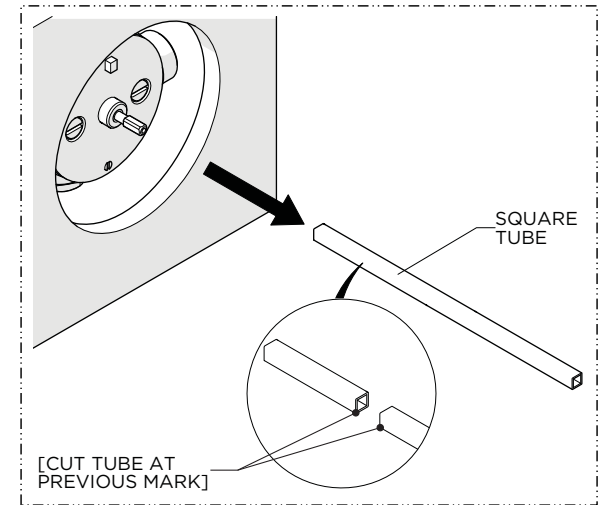


4. Place the SQUARE TUBE onto the CARTRIDGE STEM until it stops and is **FULLY** seated.

NOTE: When seated properly, the TUBE will have rotational resistance.



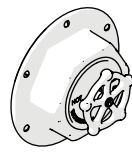
5. Mark the SQUARE TUBE 1-5/16" [33mm] in front of the finished wall



6. Remove the SQUARE TUBE then cut the TUBE at the previous mark.

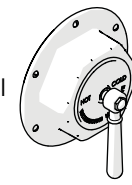
WATERWORKS

INSTALLATION GUIDELINES



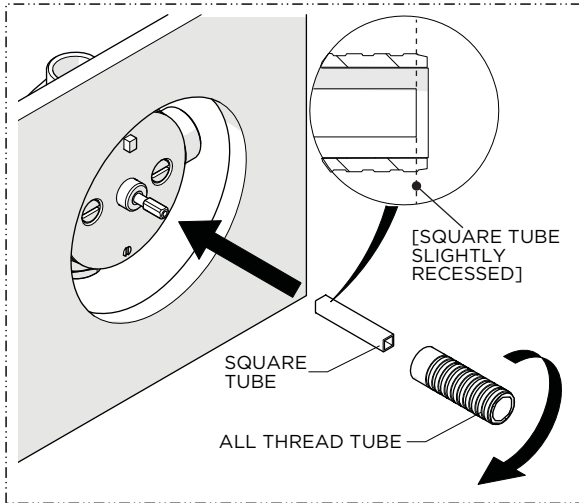
STYLE No. RGTH01, RGTH02

Regulator Thermostatic Control Valve Trim with Black/Metal Wheel Handle



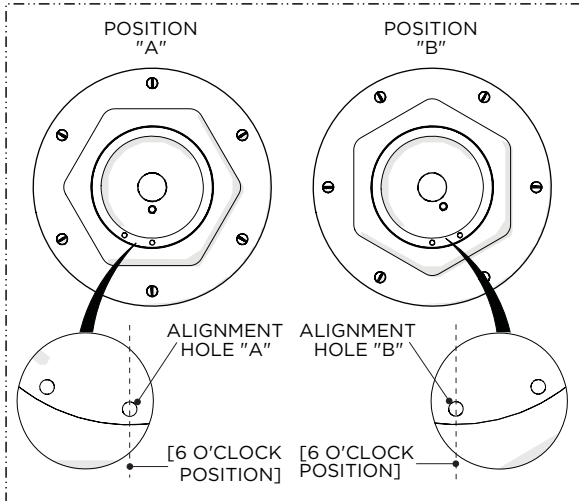
STYLE No. RGTH10, RGTH11

Regulator Thermostatic Control Valve Trim with Black/Metal Lever Handle



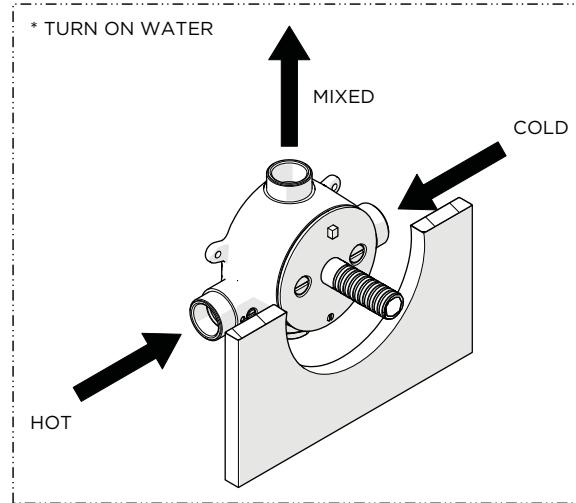
7. Place the SQUARE TUBE back onto the CARTRIDGE STEM then **FULLY** thread the ALL THREAD TUBE back onto the CARTRIDGE.

NOTE: The SQUARE TUBE should be slightly recessed into the ALL THREAD TUBE.

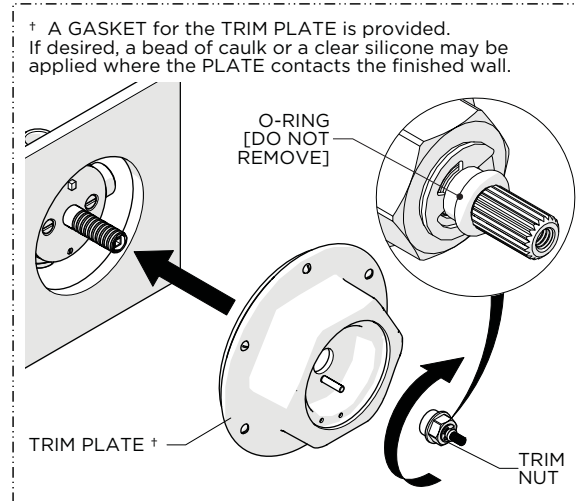


10. Determine the desired TRIM PLATE orientation and position the appropriate ALIGNMENT HOLE vertically at 6 o'clock.

NOTE: Do **NOT** remove the 6 SCREWS on the PLATE. They are AESTHETIC only.

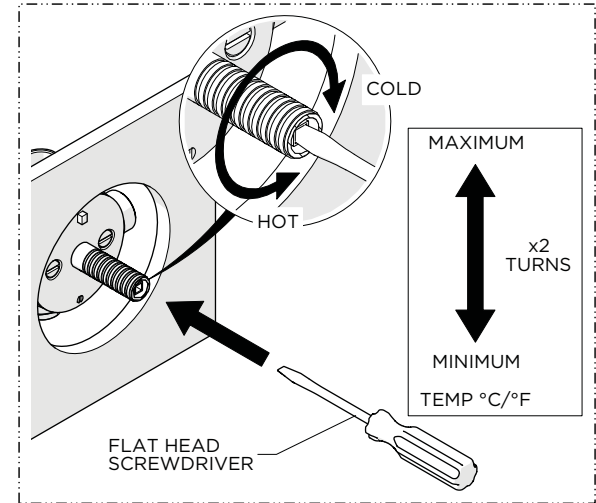


8. Turn on the water supply and open a diverter/wall valve (sold separately) to run water through the THERMOSTATIC VALVE.

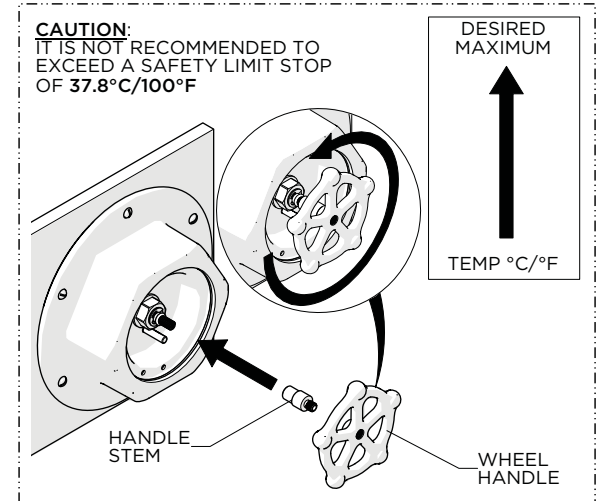


11. Slide the TRIM PLATE, in the desired orientation, over the ALL THREAD TUBE, then thread and securely tighten the TRIM NUT onto the TUBE.

NOTE: Do **NOT** remove the O-RING on the TRIM NUT.



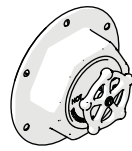
9. Insert a bladed screw driver into the SQUARE TUBE and slowly rotate clockwise to attain full cold then counterclockwise to attain full hot. It's approximately 2 complete rotations. Verify a full range of temperatures exists.



12. With water running, and using the HANDLE STEM and HANDLE if necessary, adjust the temperature to the **MAXIMUM** desired bathing temperature, verified with a thermometer. Turn the water off and make sure **NOT** to change this setting.

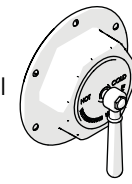
WATERWORKS

INSTALLATION GUIDELINES



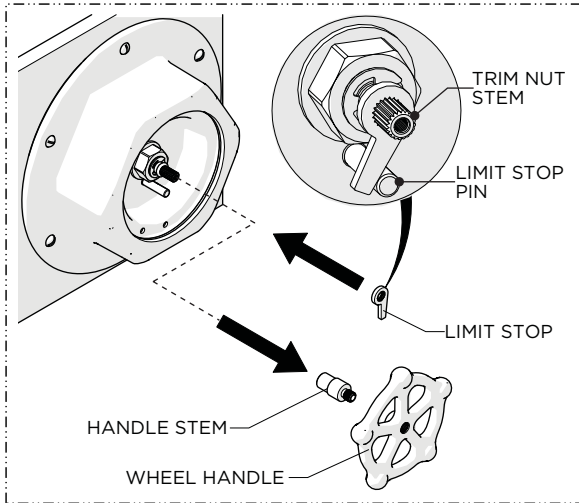
STYLE No. RGTH01, RGTH02

Regulator Thermostatic Control Valve Trim with Black/Metal Wheel Handle



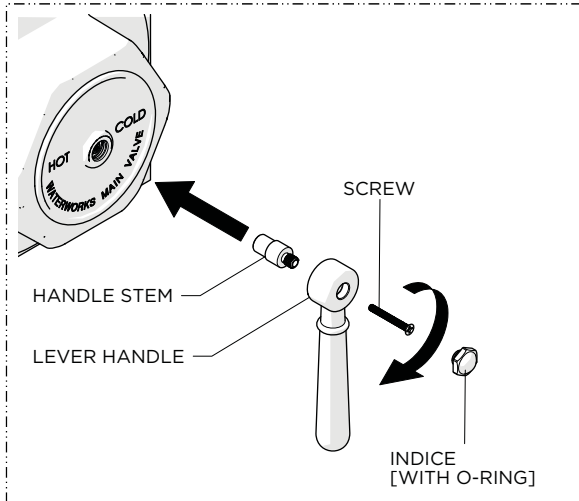
STYLE No. RGTH10, RGTH11

Regulator Thermostatic Control Valve Trim with Black/Metal Lever Handle

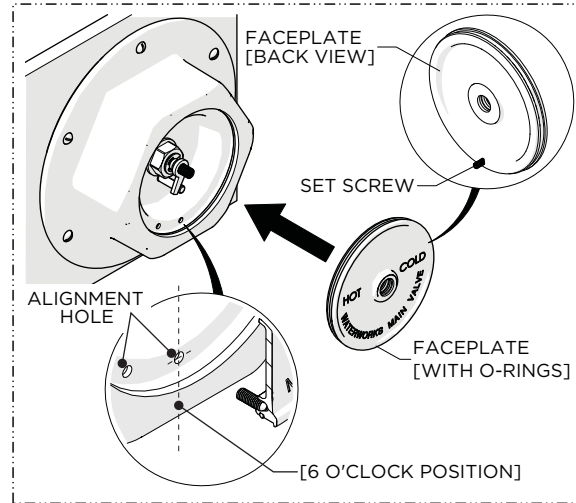


13. Remove the HANDLE and STEM then place the LIMIT STOP onto the TRIM NUT making contact with the LIMIT STOP PIN.

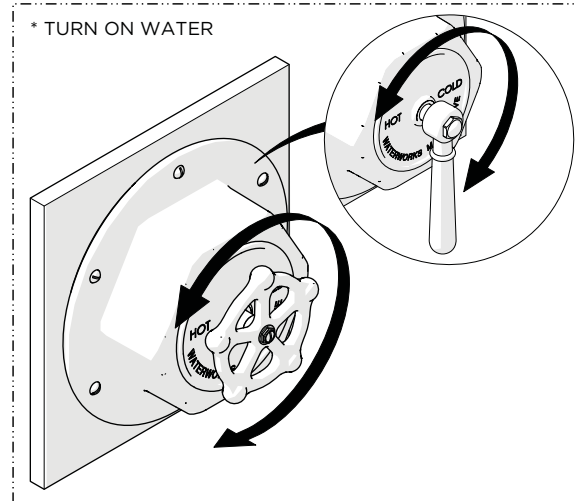
NOTE: The PIN prevents the HANDLE from rotating past the **MAXIMUM** desired bathing temperature.



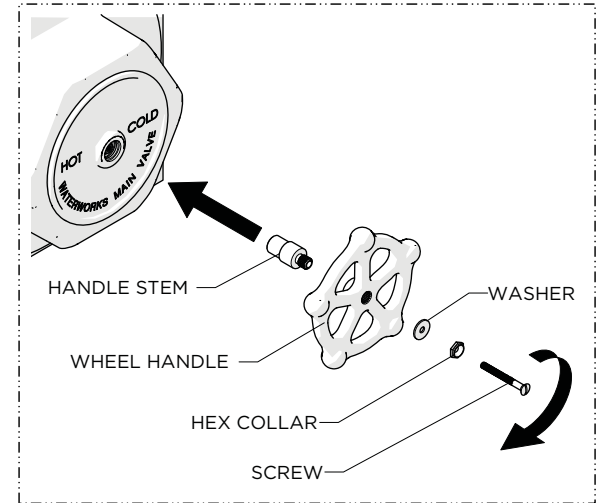
16. **RGTH10/11 ONLY:** Insert the HANDLE STEM into the FACEPLATE, place the LEVER HANDLE onto the STEM in the desired orientation, thread and securely tighten the SCREW then insert the INDICE into the HANDLE.



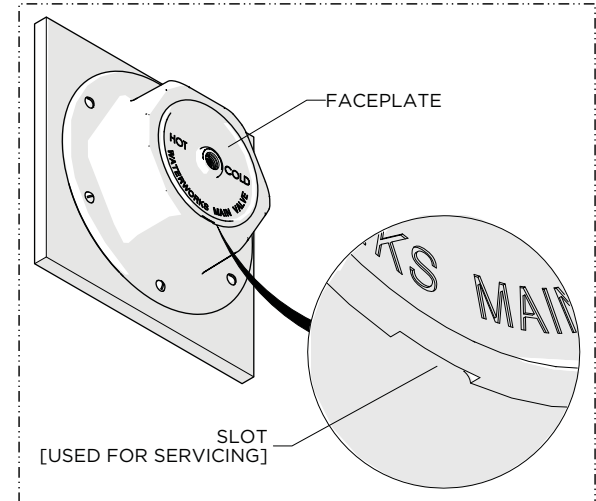
14. Align the SET SCREW on the back of the FACEPLATE with the ALIGNMENT HOLE at 6 o'clock on the TRIM PLATE then push the FACEPLATE into the TRIM PLATE making sure it is fully seated.



17. Turn on the water supply and operate the HANDLE to ensure that it is functioning properly. Verify the **MAXIMUM** desired bathing temperature.



15. **RGTH01/02 ONLY:** Insert the HANDLE STEM into the FACEPLATE, place the WHEEL HANDLE onto the STEM in the desired orientation then thread and securely tighten the SCREW making sure to include the METAL WASHER and HEX COLLAR.



1. **SERVICING ONLY:** A small notch is located at the bottom of the FACEPLATE to help in removing the PLATE during servicing.