

# INSTALLATION GUIDELINES



**STYLE No. RGVC01, RGVC02**  
Regulator Volume Control Valve Trim with Black/Metal Wheel Handle



**STYLE No. RGVC10, RGVC11**  
Regulator Volume Control Valve Trim with Black/Metal Lever Handle

**IMPORTANT:**

- To ensure this product is installed properly, you must read and follow these guidelines.
- The owner/user of this product must keep this information for future reference.
- This product must be installed by a professional licensed contractor and must be onsite prior to rough-in, this allows the installer to visualize the installation.
- Be sure your installation conforms to federal state, and local codes. In the State of Massachusetts, all installations must comply with the rules and regulations set forth within 248 CMR.
- Wall valves control on/off/volume and must be installed for each fitting that will have water flowing to it. If using a wall valve with the Universal 3/4" Thermostatic Valve (Style No. GUTH37R) refer to the Installation Guidelines for the Thermostatic Valve which contains related installation information. All valves and trims sold separately.
- Inspect this product to ensure you have all the parts required for proper installation. Product is sold partially assembled but shown fully disassembled for illustrative and service purposed only.
- Use only a strap wrench or protected/smooth-jaw wrench on any finished surface.
- The use of certain plumber's putty may stain stone or tile surfaces.
- If further assistance is required, please contact Product Support at 1-800-927-2120 Monday through Friday, 8am - 6pm EST.
- Refer to the separate Service Parts Documents for available replacement parts.

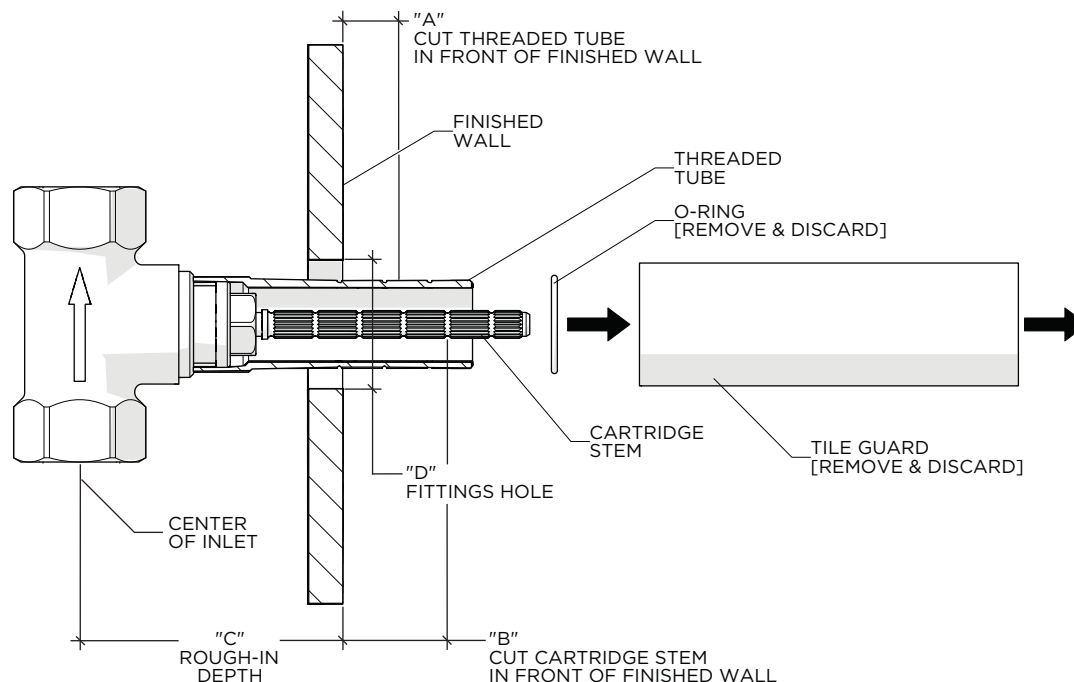
**REQUIRED PLUMBING DETAILS:**

- Universal 3/4" Counter-Clockwise Open Volume Control Valve **STYLE No. GUVVC16**
- Universal 3/4" Clockwise Open Volume Control Valve **STYLE No. GUVVC17**

**ROUGH-IN AND VALVE PREPARATION:**

- **CAUTION:** Mark and remove the **THREADED TUBE** before cutting. Do NOT cut the end with the internal threads.
- **CAUTION:** Mark and remove the **CARTRIDGE** using a 21/32" [17mm] shower valve socket wrench before cutting.

DIMENSION	VALUE
A	1" [25mm]
B	1-11/16" [43mm]
C	2-1/2" MIN [64mm] - 3-1/8" MAX [79mm]
D	Ø1-3/8" [35mm]



INSTALLATION GUIDELINES



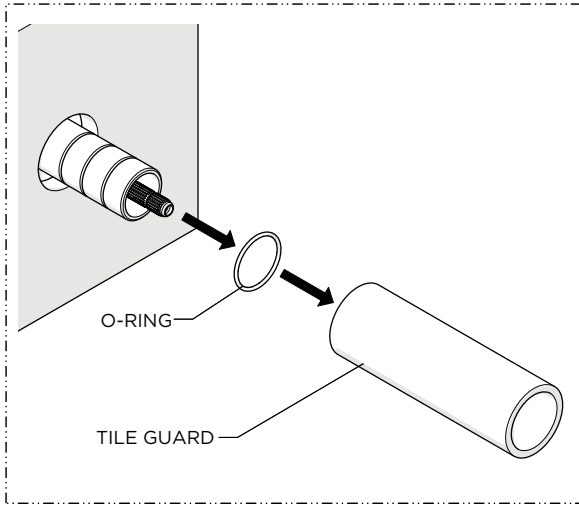
STYLE No. RGVC01, RGVC02

Regulator Volume Control Valve Trim with Black/Metal Wheel Handle

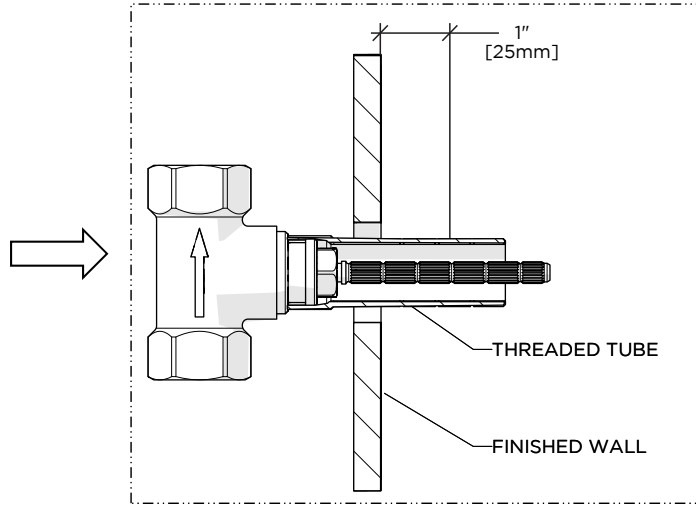


STYLE No. RGVC10, RGVC11

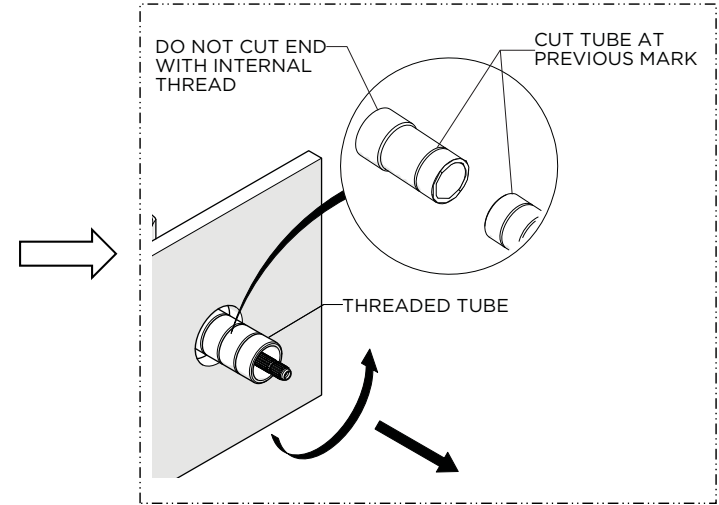
Regulator Volume Control Valve Trim with Black/Metal Lever Handle



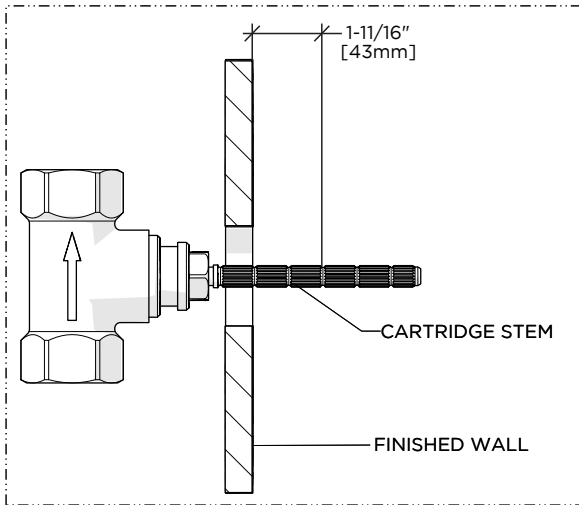
1. Remove the TILE GUARD and O-RING from the VALVE.



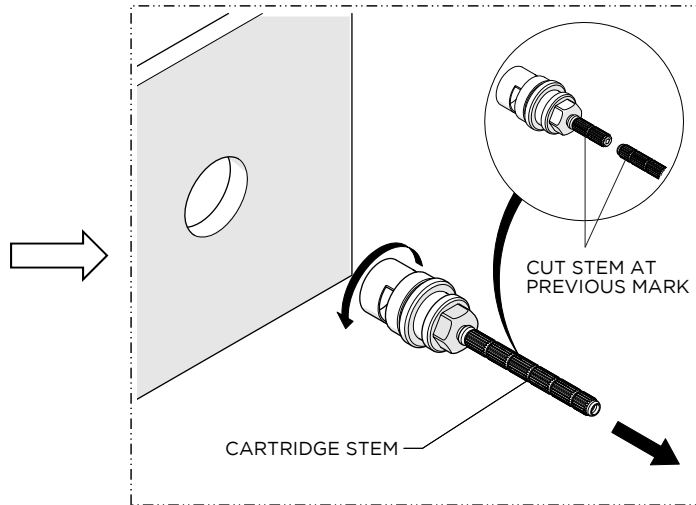
2. Mark the THREADED TUBE 1" [25mm] in front of the finished wall.



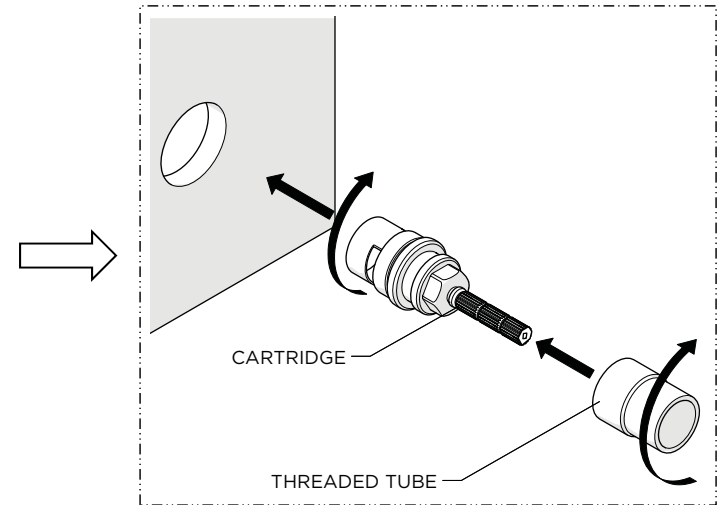
3. Unthread the THREADED TUBE then cut the TUBE at the previous mark. Do NOT cut the end with the internal threads.



4. Mark the CARTRIDGE STEM 1-11/16" [43mm] beyond where it protrudes from the finished wall.



5. Remove the CARTRIDGE using a 21/32" [17mm] shower valve socket wrench (not provided) then cut the STEM at the previous mark.



6. Thread and securely tighten the CARTRIDGE back into the VALVE then thread the THREADED TUBE back onto the CARTRIDGE.

INSTALLATION GUIDELINES



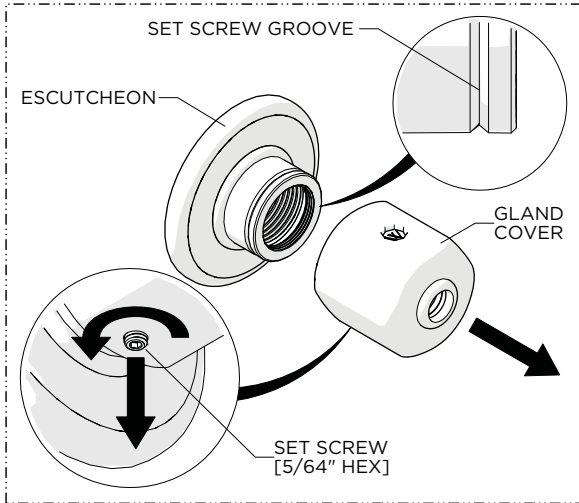
STYLE No. RGVC01, RGVC02

Regulator Volume Control Valve Trim with Black/Metal Wheel Handle



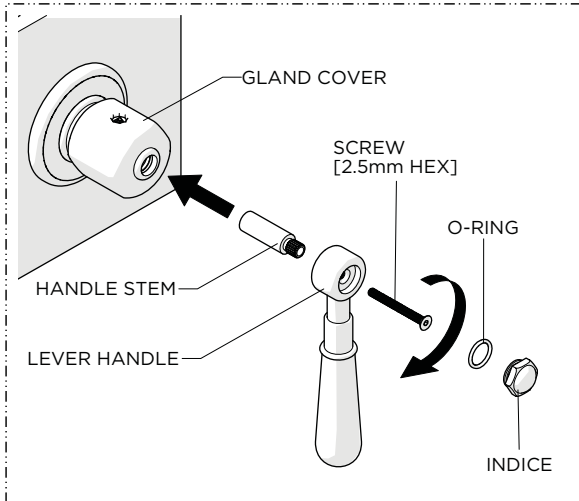
STYLE No. RGVC10, RGVC11

Regulator Volume Control Valve Trim with Black/Metal Lever Handle

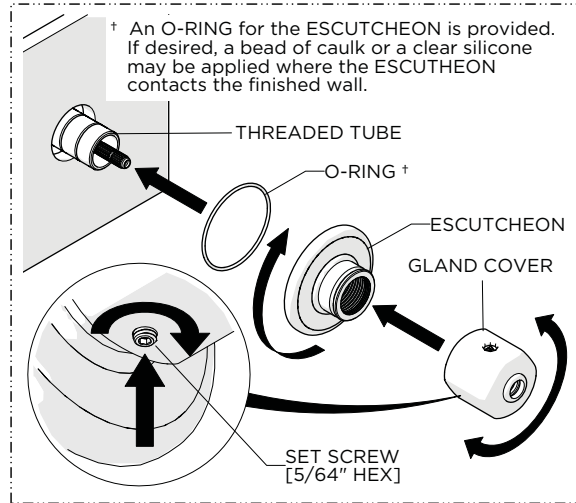


7. Loosen, but do NOT remove, the SET SCREW on the backside of the GLAND COVER then remove the GLAND COVER.

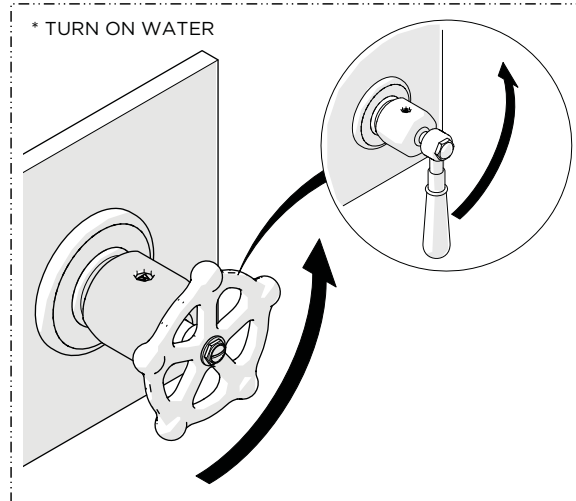
**IMPORTANT:** Do NOT use the GLAND COVER as leverage to install the ESCUTCHEON



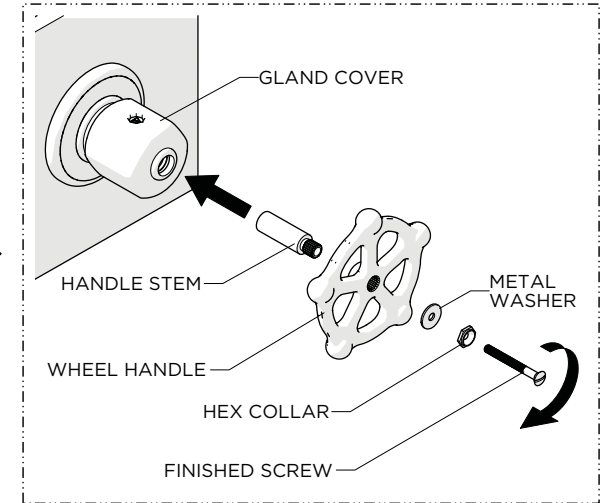
10. **RGVC10/11 ONLY:** Insert the HANDLE STEM into the GLAND COVER, place the LEVER HANDLE onto the STEM in the desired orientation, thread and securely tighten the SCREW then insert the INDICE into the HANDLE.



8. Thread and securely tighten the ESCUTCHEON onto the TUBE using the O-RING provided. Push the GLAND COVER onto the ESCUTCHEON until it is **FULLY** seated, rotate it to the desired orientation, and securely tighten the SET SCREW.



11. Turn on the water supply and operate the HANDLE to ensure that it is functioning properly.



9. **RGVC01/02 ONLY:** Insert the HANDLE STEM into the COVER, place the WHEEL HANDLE onto the STEM in the desired orientation then thread and securely tighten the SCREW making sure to include the METAL WASHER and HEX COLLAR.