



Veil® Comfort Height®

Intelligent compact elongated chair height toilet

K-5401-PA

Features

- Compact, streamlined one-piece intelligent toilet with integrated personal cleansing.
- Elongated bowl offers added room and comfort.
- Comfort Height® feature offers chair-height seating that makes sitting down and standing up easier for most adults.
- Tankless design with direct water supply.
- Stainless steel wand offers adjustable spray shape, position, water pressure, temperature, pulsate, and oscillate functions.
- Front and rear wash modes provide warm water for cleansing.
- Self-cleaning function uses UV light and electrolyzed water systems to sanitize the wand surfaces.
- Warm-air drying system with adjustable temperature settings.
- Automatic deodorization system.
- Heated seat with adjustable temperature settings.
- Motion-activated, hands-free opening/closing of seat and cover.
- Quiet-Close™ prevents slamming by slowly bringing the toilet seat and lid to a gentle close.
- LED lighting illuminates the bowl to serve as a nightlight.
- English-language touchscreen LCD remote control.
- Emergency flush supports up to 100 flushes during power outage with simple touch-button activation.
- Dual flush offers a choice of 0.8 or 1.28 gpf (3.0 or 4.8 lpf).

Technology

- Dual-flush technology allows you to choose between a full- or partial-flush.
- Pump-assisted flushing for strong flush performance.

Installation

- Standard 12" (305 mm) rough-in.

Recommended Products/Accessories

K-23726 Drain treatment

Included Components

Additional Components:

- Braided inlet hose
- LCD remote control
- Power cord
- Seat
- Supply stop valve



ADA **CSA B651** **OBC**

Codes/Standards

ASME A112.19.2/CSA B45.1
 ASME A112.4.2/CSA B45.16
 ASME A112.19.14
 DOE - Energy Policy Act 1992
 EPA WaterSense®
 California Energy Commission (CEC)
 UL 1951
 CSA C22.2 No. 14
 CSA C22.2 No. 68
 ADA
 ICC/ANSI A117.1
 CSA B651
 OBC

KOHLER® Intelligent Toilet and C3® Cleansing Seat Three-Year Limited Warranty

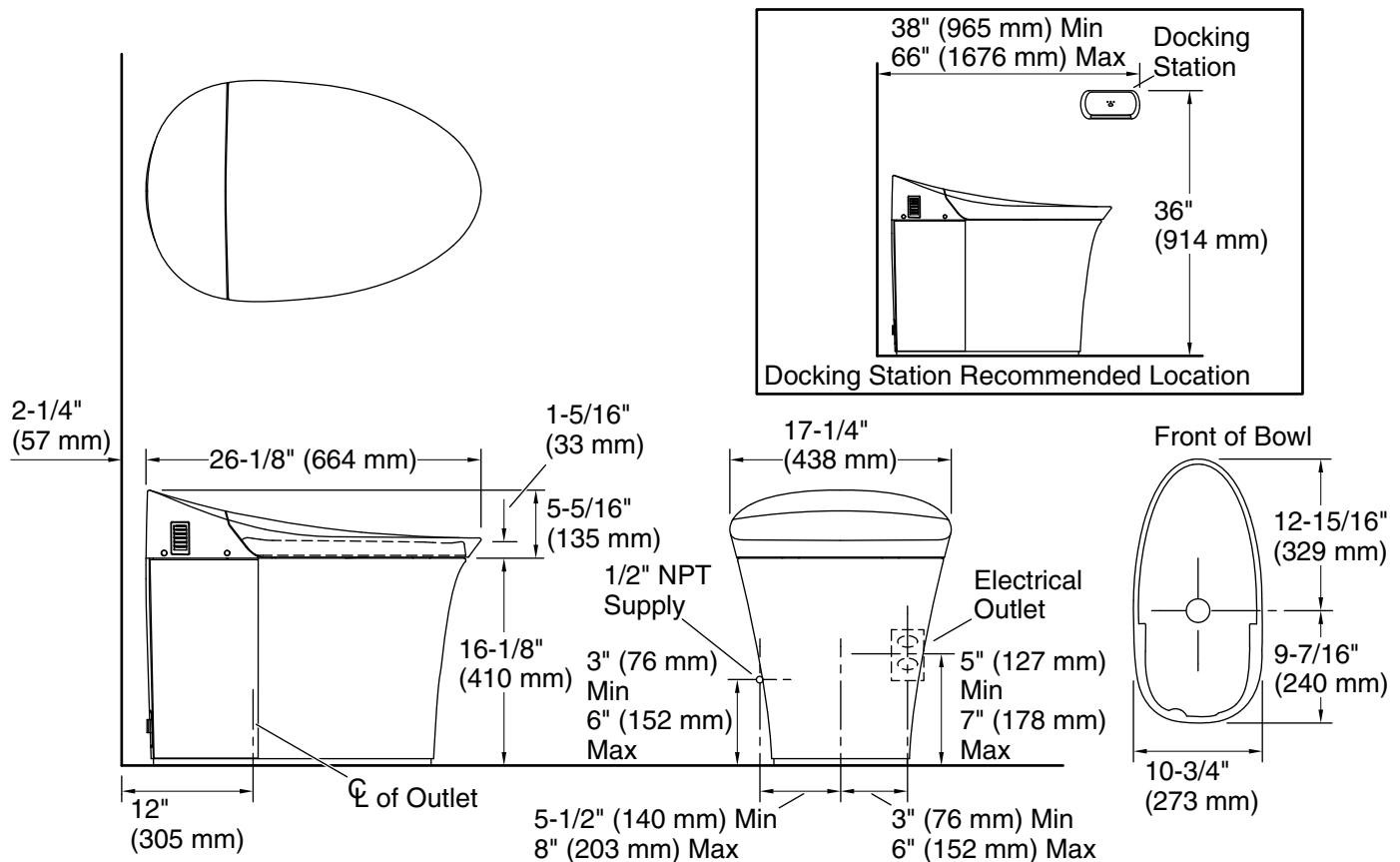
See website for detailed warranty information.

Available Colors/Finishes

Color tiles intended for reference only.

Color Code Description

■ 0 White



Required Electrical Service

One dedicated circuit required, protected with Class A Ground-Fault Circuit-Interrupter (GFCI). Outside North America, this device may be known as a Residual Current Device (RCD).
120 V, 15 A, 60 Hz

Technical Information

All product dimensions are nominal.

Toilet type:	One-piece, Floor-mount
Waste Outlet:	Floor
Bowl shape:	Elongated
Trap passageway:	1-15/16" (49 mm)
Water Consumption	
Full:	1.28 gpf (4.8 lpf)
Reduced:	0.8 gpf (3 lpf)
Water surface size:	7-15/16" x 5-5/8" (202 mm x 143 mm)
Rough-in:	12" (305 mm)

Fixture Supply Requirements

Min flow rate: 6 gpm (22.7 lpm)

Notes

Install this product according to the installation instructions.

This product is designed for installation with the electrical and water supplies located through either the wall or the floor.

IMPORTANT! Use the supply hoses provided with the fixture. Do not reuse the previously installed hoses.

ADA, OBC, CSA B651 compliant when installed to the specific requirements of these regulations.

Plumbing codes may require elongated toilets and elongated, open-front seats in public bathrooms.

Accessibility standards may require controls to be located on the open side of the toilet.