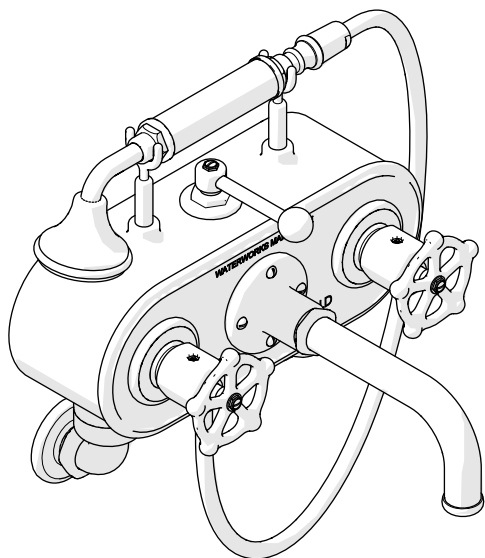


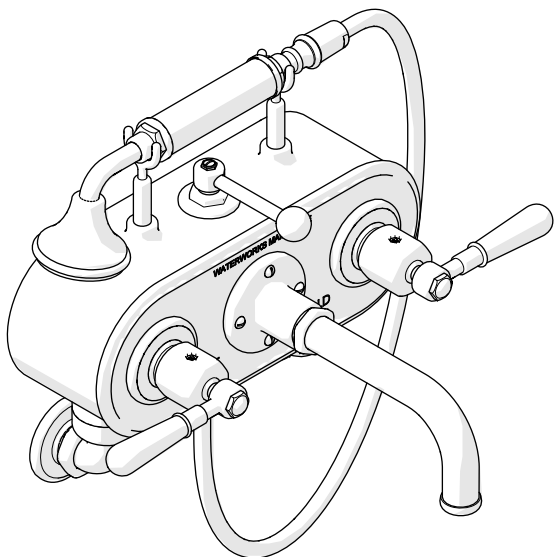
INSTALLATION GUIDELINES

Regulator Wall Mounted Exposed Tub Filler with Metal Handshower with Metal Handshower



STYLE No. RGXT20, RGXT21

Regulator Wall Mounted Exposed Tub Filler with Metal Handshower and Black/Metal Wheel Handles



STYLE No. RGXT30, RGXT31

Regulator Wall Mounted Exposed Tub Filler with Metal Handshower and Black/Metal Lever Handles

IMPORTANT:

- To ensure this product is installed properly, you must read and follow these guidelines.
- The owner/user of this product must keep this information for future reference.
- This product must be installed by a professional licensed contractor and must be on-site prior to rough-in. This allows the installer to visualize the installation and verify the 8" [203mm] on-center inlet supply spread. The inlet supply spread on this product is **NOT** adjustable.
- Check TUB measurements to assure the SPOUT projects far enough into the TUB.
- It is recommended to use 2" x 6" Blocking to install the VALVE BODY to wall.
- Run 3/4" supply lines for maximum flow and install accessible hot and cold service stop valves to facilitate servicing.
- Anti-scald protection is the responsibility of the installer and according to applicable codes. Be sure your installation conforms to federal state, and local codes. In the State of Massachusetts, all installations must comply with the rules and regulations set forth within 248 CMR.
- Inspect this product to ensure you have all the parts required for proper installation. Product is sold partially assembled but shown fully disassembled for illustrative and service purposes only.
- Use only a strap wrench or protected/smooth-jaw wrench on any finished surface.
- The use of certain plumber's putty may stain stone or tile surfaces.
- If further assistance is required, please contact Product Support at 1-800-927-2120 Monday through Friday, 8am - 6pm EST.
- Refer to the separate Service Parts Documents for available replacement parts.

INSTALLATION GUIDELINES

Regulator Wall Mounted Exposed Tub Filler with Metal Handshower

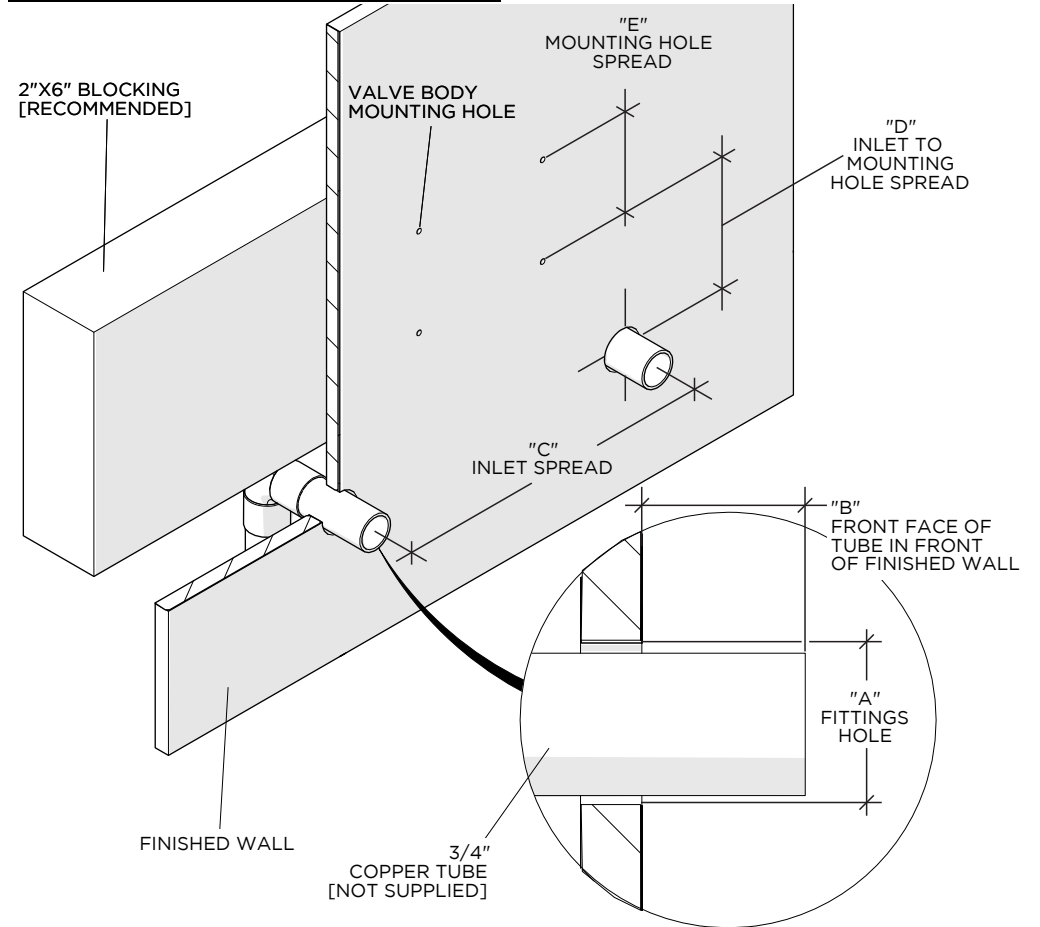
TECHNICAL DETAILS:

FITTING HOLE DIAMETER	1-3/8" [35mm]
HANDLE TURN ANGLE	QUARTER TURN
HANDSHOWER HOSE LENGTH	68" [1730mm]
INLET CONNECTION	3/4" COMPRESSION CONNECTION
INLET SUPPLY SPREAD	8" [203mm] [NOT ADJUSTABLE]
INTEGRATED DIVERTER	YES
WATER PRESSURE RANGE	20psi [1.5 bar] MIN 85psi [6.0 bar] MAX
WATER PRESSURE RECOMMENDED	45psi [3.0 bar]

ROUGH-IN:

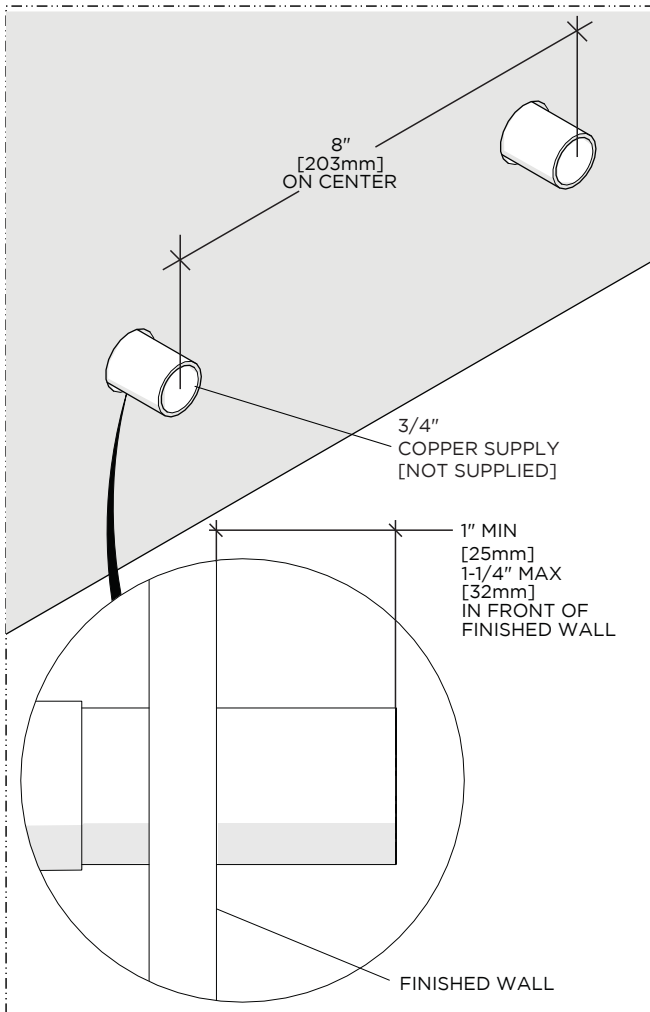
- Run well supported 3/4" hot and cold copper supply lines for maximum water flow.
- **WARNING:** The inlet supply spread on this product is **NOT** adjustable. If the rough-in is not accurate it will make installation difficult or impossible. Verify the supply lines are secure, level, perpendicular to the finished wall, parallel to each other at the proper spread of 8" [203mm] and at equal depths.
- **IMPORTANT:** The supply lines **MUST** project a **MINIMUM** of 1" [25mm] and **MAXIMUM** of 1-1/4" [32mm] from the surface of the finished wall.

DIM	VALUE
A	1" [25mm]
B	1" [25mm] MINIMUM 1-1/4" [32mm] MAXIMUM
C	8" [203mm] (NOT ADJUSTABLE)
D	3-1/4" [83mm]
E	2-1/2" [64mm]



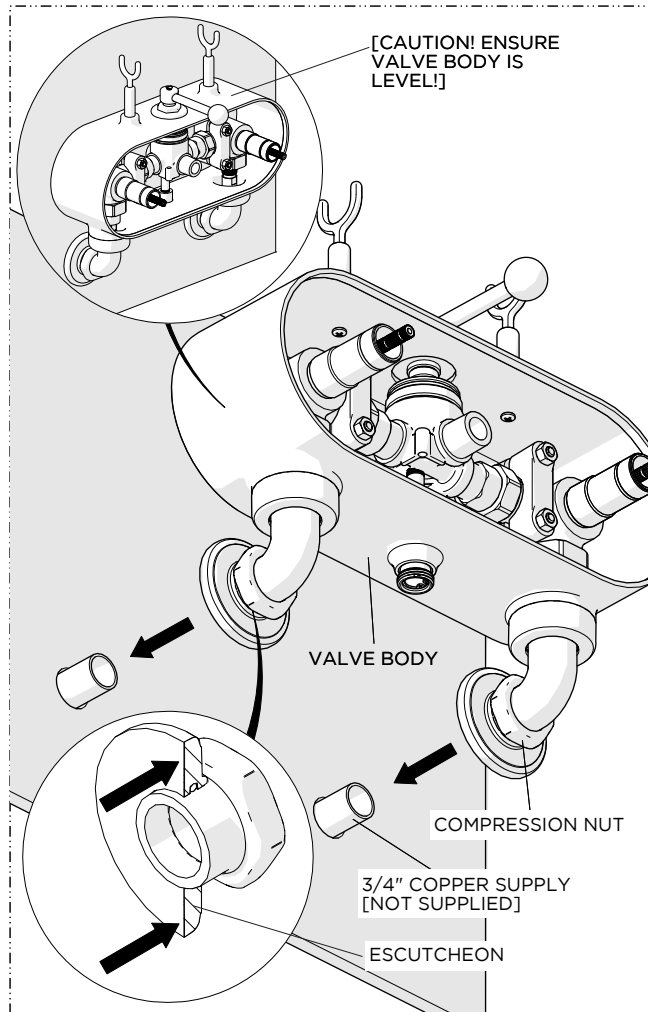
INSTALLATION GUIDELINES

Regulator Wall Mounted Exposed Tub Filler with Metal Handshower



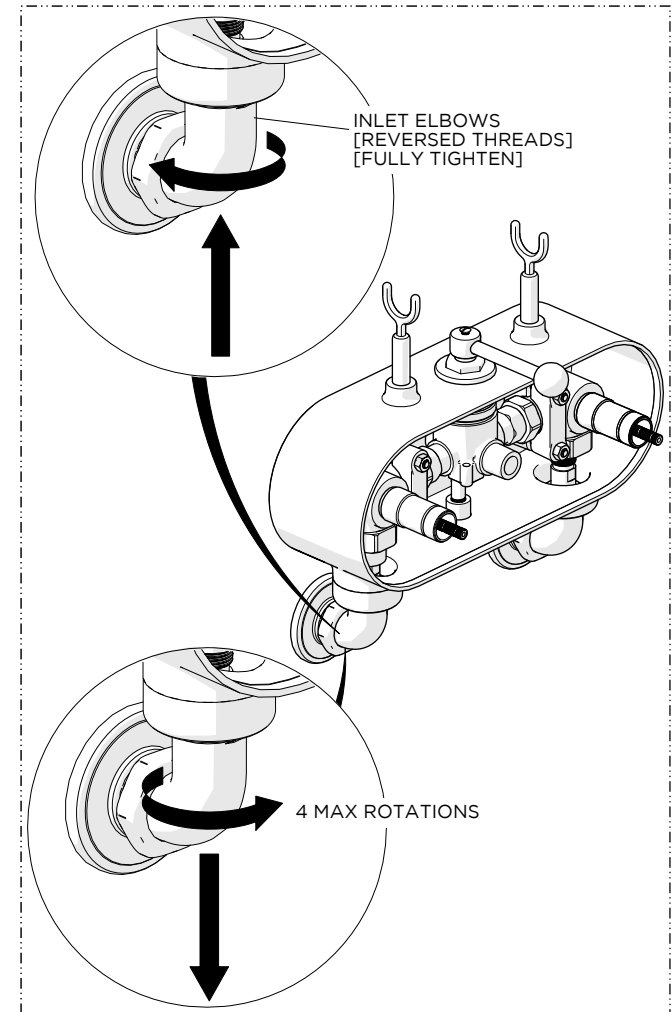
1. IMPORTANT:

- a. Verify the 8" [203mm] inlet supply spread prior to installation.
- b. Front face of the SUPPLY LINE is 1" [35mm] MIN to 1-1/4" [32mm] MAX in front of the finished wall.



2. DRY FITTING:

Slide the ESCUTCHEON against the COMPRESSION NUT, then dry fit the VALVE BODY by pushing the unit against the finished wall and inserting copper supply tubes into COMPRESSION NUT, COMPRESSION RING and INLET ELBOW. Check to make sure the VALVE BODY is level.



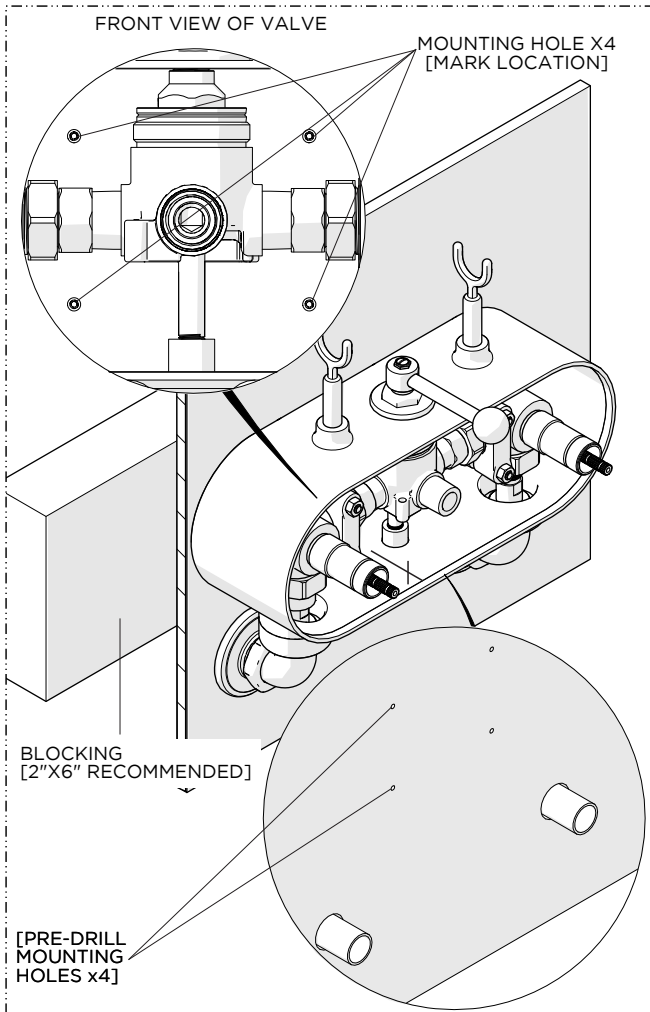
3. IF NECESSARY:

Thread the INLET ELBOW into the VALVE BODY until it stops. ELBOWS can be loosened a maximum of 4 rotations from fully closed to adjust the height level.

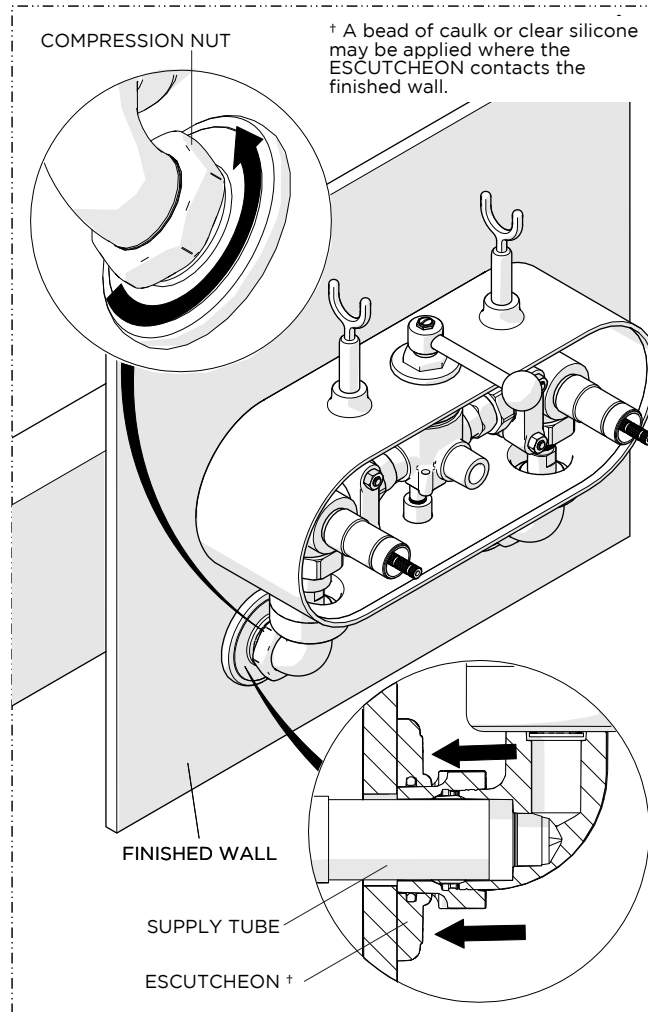
NOTE: The INLET ELBOWS have REVERSE THREADS.

INSTALLATION GUIDELINES

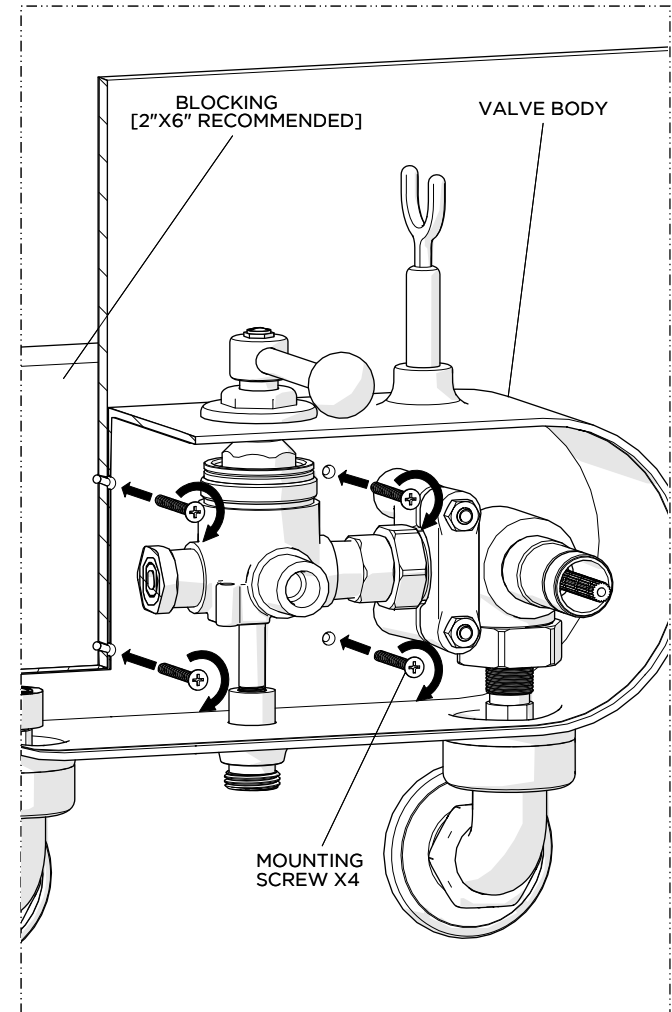
Regulator Wall Mounted Exposed Tub Filler with Metal Handshower



4. With the VALVE BODY held against the finished wall, mark the location of the mounting holes being sure the holes are within the width of the blocking and unit is level based on STEP 2 and 3. Remove unit and pre-drill marked holes.



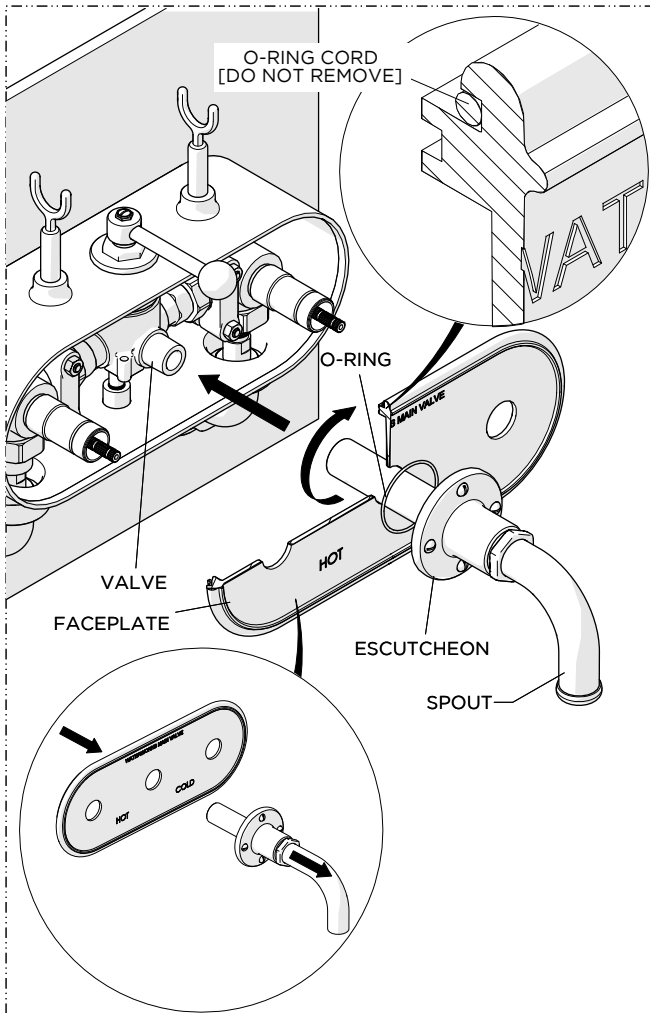
5. Slide the unit back against the wall and over the SUPPLY TUBES, thread and securely tighten the COMPRESSION NUTS, then slide the ESCUTCHEON on the NUT until it contacts the finished wall.



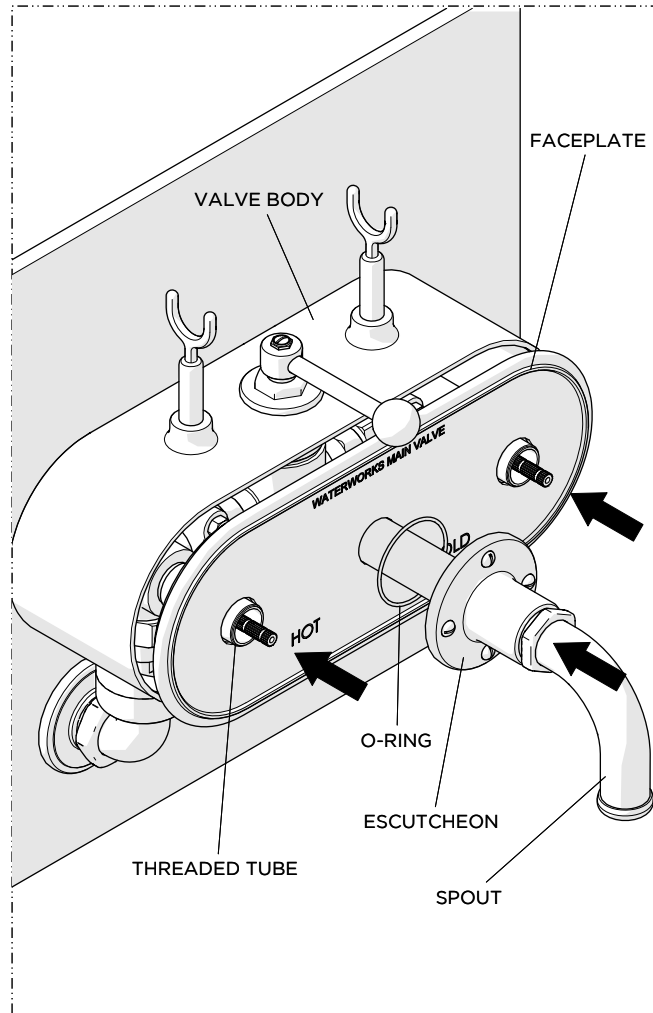
6. Secure the VALVE BODY to the wall using the WOOD SCREWS provided.

INSTALLATION GUIDELINES

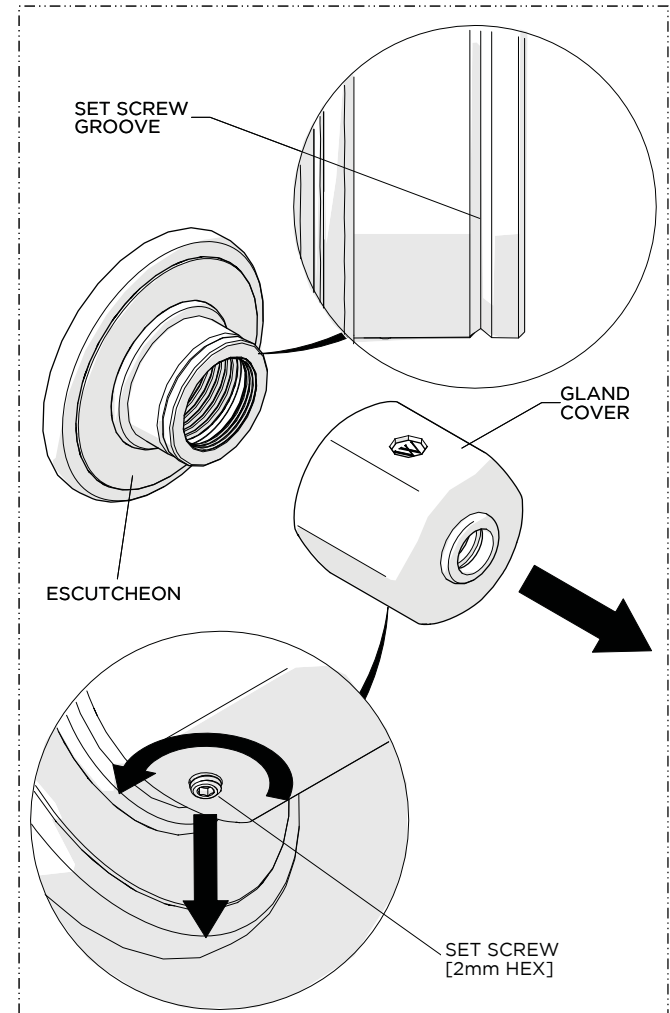
Regulator Wall Mounted Exposed Tub Filler with Metal Handshower



7. Slide the SPOUT ESCUTCHEON, O-RING and FACEPLATE down the SPOUT making sure the O-RING CORD on the FACEPLATE is secured properly, then thread and securely tighten the SPOUT onto the VALVE.



8. Install the FACEPLATE over the THREADED TUBES. Be sure the flange on the FACEPLATE is fully seated within the VALVE BODY.

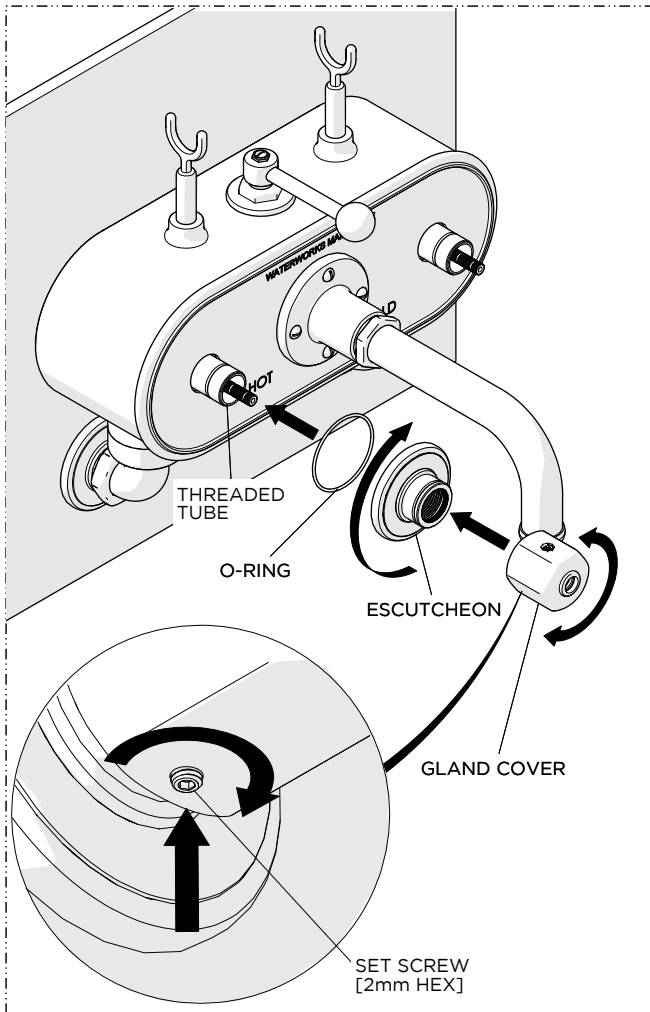


9. Loosen, but do NOT remove the SET SCREW using 2mm HEX KEY, then remove the GLAND COVER.

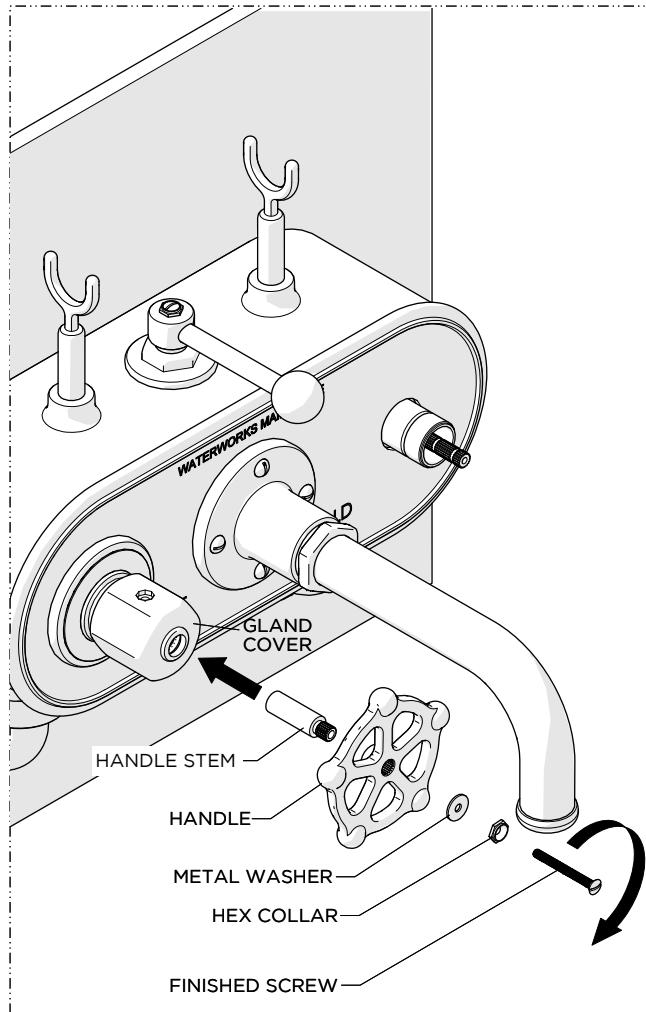
IMPORTANT: The GLAND COVER may be rotated to ensure it is in the desired orientation. Do NOT use the GLAND COVER as leverage to install the ESCUTCHEON.

INSTALLATION GUIDELINES

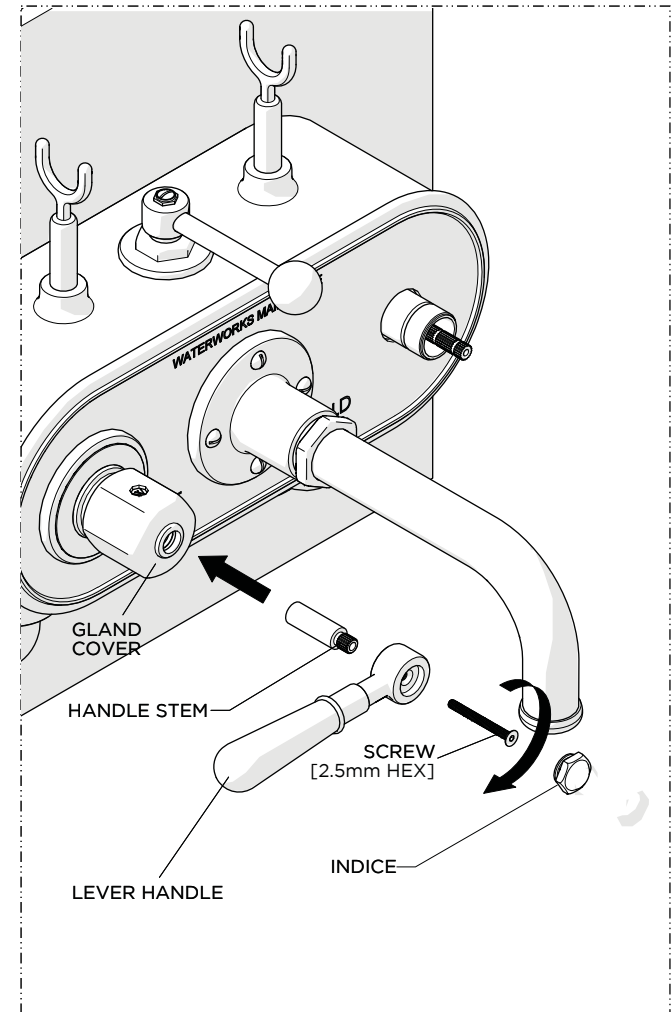
Regulator Wall Mounted Exposed Tub Filler
with Metal Handshower



10. Thread and securely tighten the ESCUTCHEON onto the THREADED TUBE. Push the GLAND COVER onto the ESCUTCHEON until it is fully seated then rotate it to the desired orientation and securely tighten the SET SCREW.



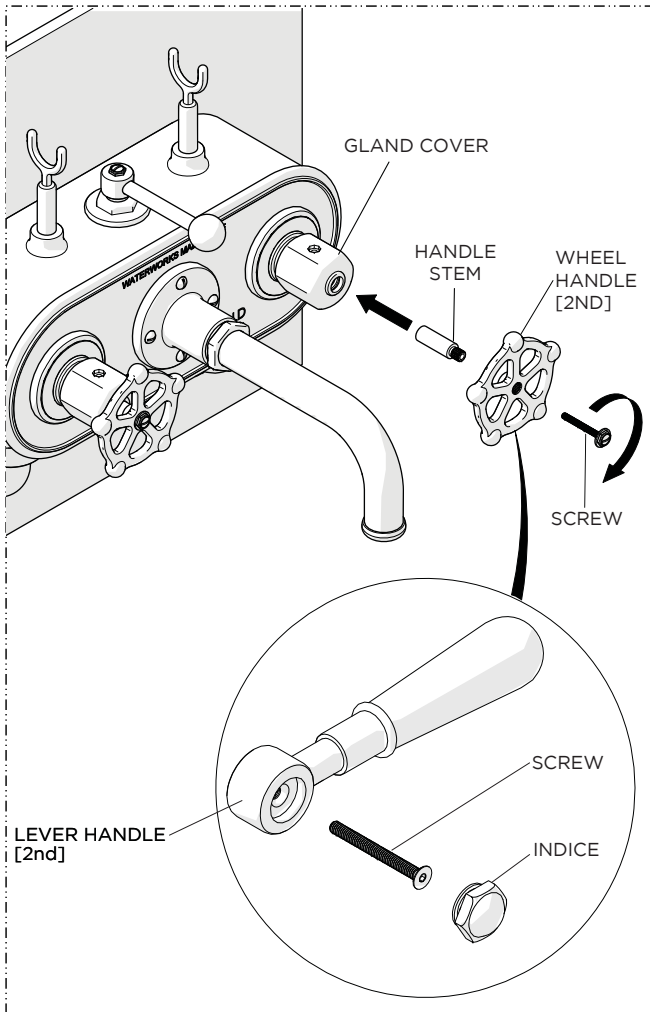
11. **RGXT20, RGXT21 ONLY:** Insert the HANDLE STEM into the GLAND COVER, place the WHEEL HANDLE onto the SETM in the desired orientation then thread and securely tighten the SCREW making sure to include METAL WASHER and HEX COLLAR.



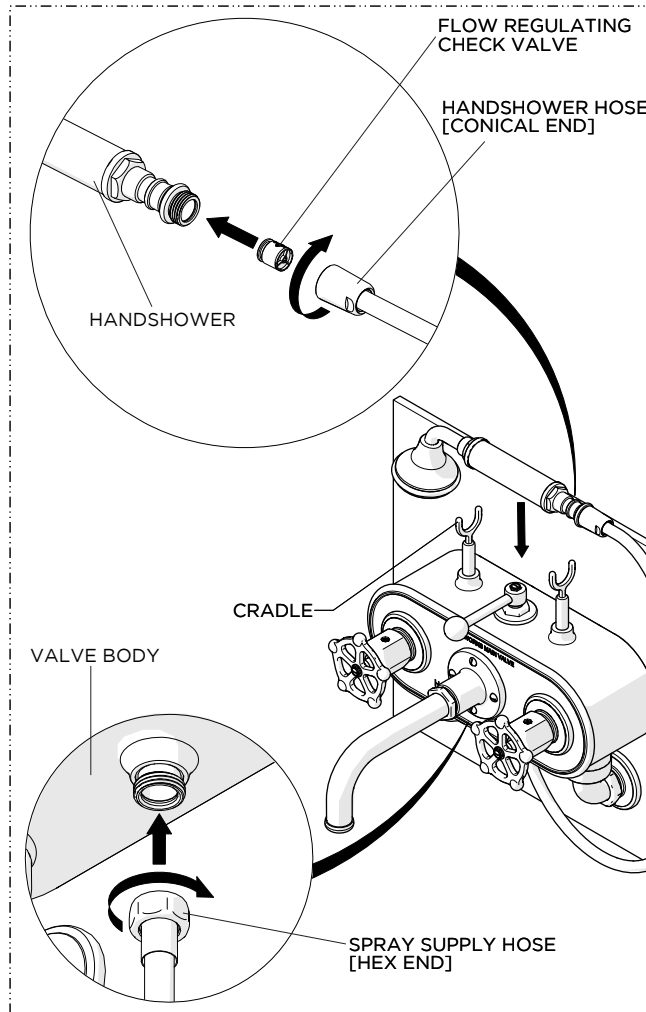
12. **RGXT30, RGXT31 ONLY:** insert the HANDLE STEM into the GLAND COVER, place the LEVER HANDLE onto the STEM in the desired orientation, thread and securely tighten the SCREW then insert the INDICE into the HANDLE.

INSTALLATION GUIDELINES

Regulator Wall Mounted Exposed Tub Filler with Metal Handshower

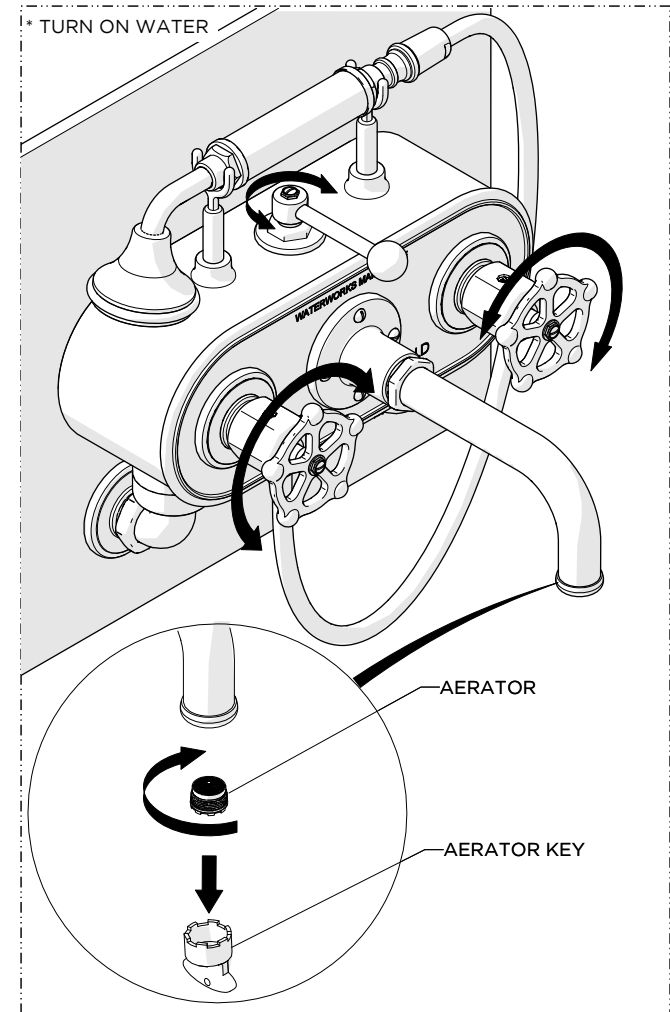


13. Repeat STEPS 9 - 12 to install the second [2nd] WHEEL HANDLE or LEVER HANDLE.



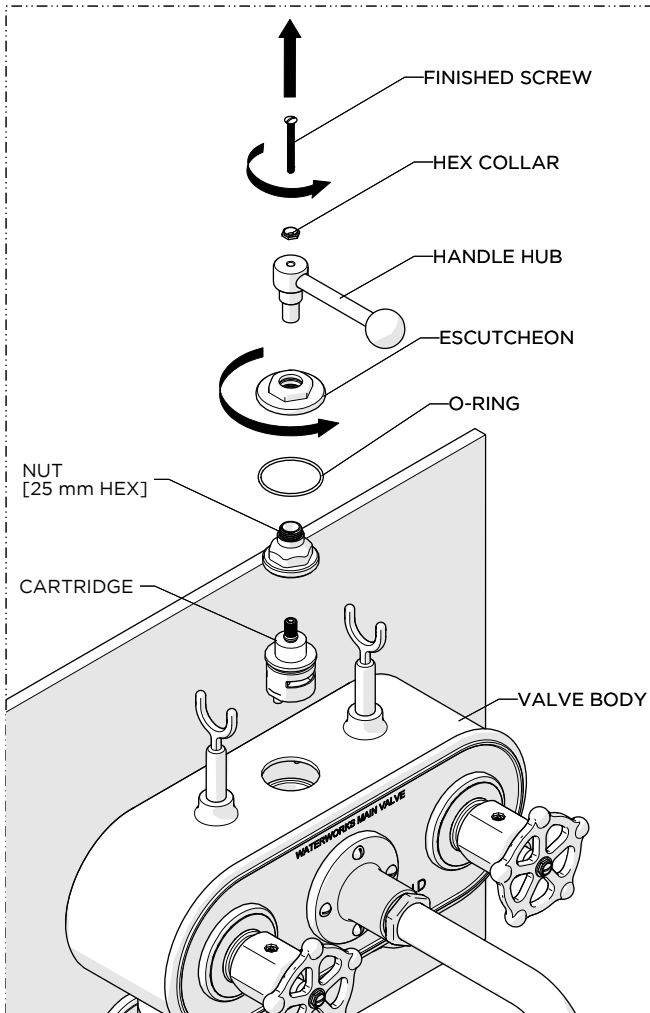
14. Thread and securely tighten the CONICAL END of the HOSE to the HANDSHOWER and HEX END of the HOSE onto the VALVE BODY, then place the HANDSHOWER over the CRADLE on the VALVE BODY.

NOTE: Make sure a FLOW REGULATING CHECK VALVE is located inside the INLET of the HANDSHOWER and an additional CHECK VALVE in the NOZZLE of HANDSHOWER.



15. Turn on the water and operate the WHEEL HANDLES and the DIVERTER HANDLE to ensure they function properly, check all connections for leaks. Turn off the water.

INSTALLATION GUIDELINES

Regulator Wall Mounted Exposed Tub Filler
with Metal Handshower

SERVICING:

1. Unthread and remove the FINISHED SCREW, HEX COLLAR, HANDLE HUB, ESCUTCHEON and CARTRIDGE NUT [25mm HEX] from the VALVE BODY. Remove the CARTRIDGE.