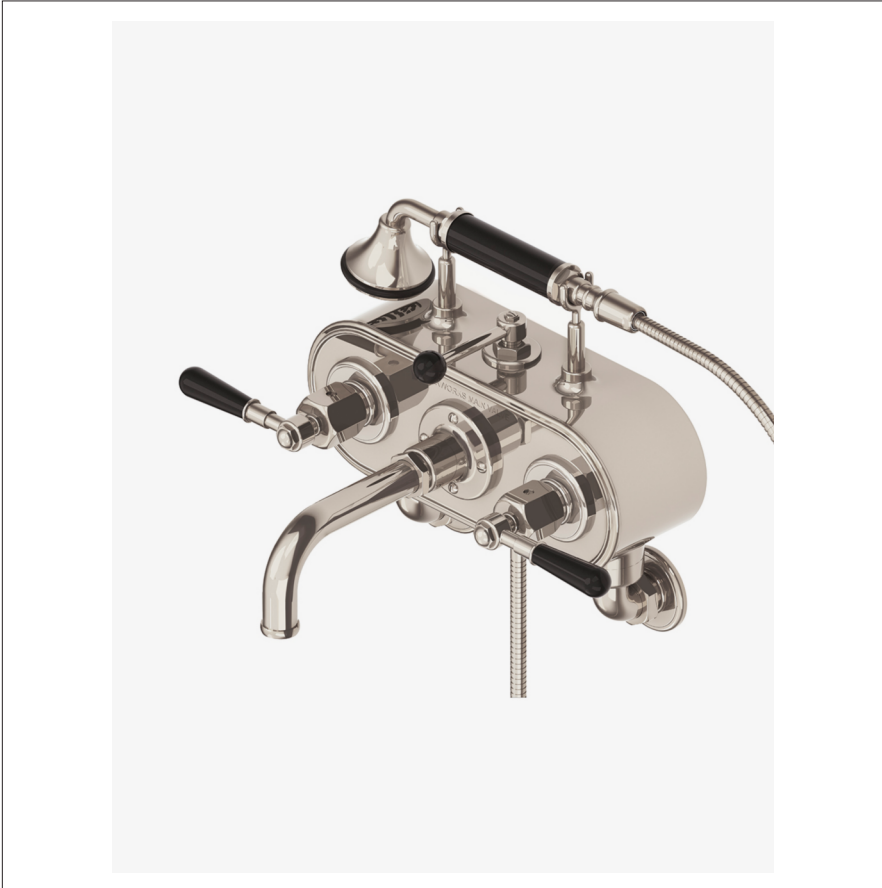


## REGULATOR

## RGXT30

Regulator Exposed Wall Mounted Tub Filler with Handshower and Black Lever Handles



SHOWN IN REGULATOR EXPOSED WALL MOUNTED TUB FILLER WITH HANDSHOWER AND BLACK LEVER HANDLES| RGXT30

### TECHNICAL DETAILS

Adjustable versus Fixed Spray: Fixed  
Fittings Hole Diameter: 1 3/8"  
Flow Restriction Options: 2.5, 2.0, 1.75, 1.5, 0.92  
Handle Turn Angle: Quarter Turn  
Handshower / Spray Hose Length: 59"  
Depth / Width: 11 13/16"  
Height: 12"  
Inlet Connection Size: 3/4"  
Inlet Connection Type: Compression  
Inlet Supply Spread Maximum: 8"  
Inlet Supply Spread Minimum: 8"  
Integrated Diverter: Y  
Integrated Spray: Y  
Length: 17 3/16"  
Primary Material: Brass  
Suggested Application: Bath  
Water Pressure Maximum: 85.0 psi  
Water Pressure Minimum: 20.0 psi  
Water Pressure Recommended: 45.0 psi

### INSPIRATION

A play on industrial controls from the early 1900s, when pride was lavished on parts. Translated to handcrafted, fittings project rugged beauty through powerful, detailed shapes.

### PRODUCT FEATURES

Matte Black Lever Handle

Includes Required Unions for Mounting

Stocked in Nickel, Chrome and Unlacquered Brass

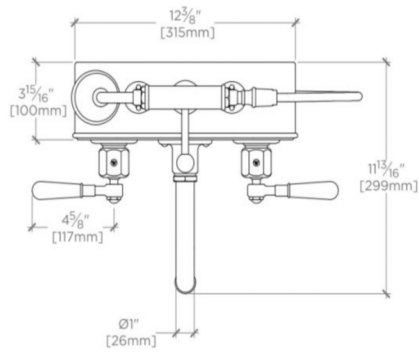
Stocked in 2.5gpm (9.5 L/min) and 1.75gpm (6.6 L/min) for handshower. State of California requires 1.75gpm (6.6 L/min) to comply with their water conservation requirements. Other flow options are available to order, contact your sales associate or call 1 (800) 899-6757 for details.



## REGULATOR

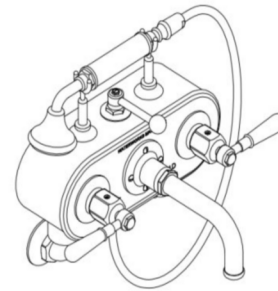
## RGXT30

Regulator Exposed Wall Mounted Tub Filler with Handshower and Black Lever Handles



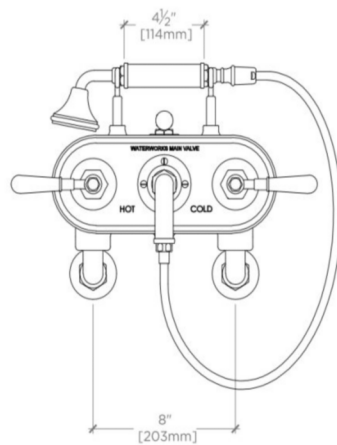
TOP VIEW

SCALE: 1/2"=1'-0"



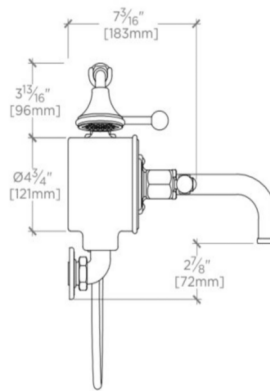
ISO VIEW

SCALE: 1/2"=1'-0"



FRONT VIEW

SCALE: 1/2"=1'-0"



SIDE VIEW

SCALE: 1/2"=1'-0"