

## Cooker hob S4000 Induction con Power Control 7372 241

Cooker hobs

Code: 7372 241



### DETAILS

Coloring	Black
Material	Ceramic glass
Edge/Installation Type	Bevelled Edge - for flush-mount or over-mount installation
Dimensions	590x520 mm
Base size	59cm
Heating element	Four zones
Built-in hole	View technical data sheet (for all Flush-mount / Top-mount models and Under-mount models)
Total power	2.800, 3.500, 6.000, 7.200** W
Left	Ø 210 mm-1.500 (2.000)* W

Up-left Ø 145 mm-1.200 (1.600)\* W

---

Right Ø 145 mm-1.200 (1.600)\* W

---

Up-right Ø 210 mm-1.500 (2.000)\* W

---

Power settings 9 power settings per zone + Powerboost

---

Safety Safety equipment

---

Type Induction Hob

---

Type of commands Touch Control

---

Notes: \*\* With the PowerControl function, the maximum power can be set in users at the following values: 2,800 W, 3,500 W, 6,000 W, 6,600 W

---

Notes: \* Powerboost

---

## FEATURES

**Powerboost** Booster function provides increased power to the selected plate. In particular, when the Booster is activated, the plate works for ten minutes at a very high power that allows to heat quickly large quantities of water.

---

**Pot detector** All induction cooker hobs detect the pot resting on them, but they also calculate the area they cover. This system allows the energy to be used even more efficiently. Moreover, the plates switch off automatically when the pot is removed.

---

**End-of-cooking programming** All operations are programmed by means of the touch-control on the glass itself. Each cooking plate is capable of independent programming, and thus the possibility to set different cooking times.

---

**Pause** Useful function that allows you to distract your attention from cooking, interrupting and restoring the settings immediately.

---

**Smart fan system** Correct ventilation is essential for the induction hob to function in the best possible way. The Foster system automatically regulates the amount of ventilation to suit the temperatures reached.

---

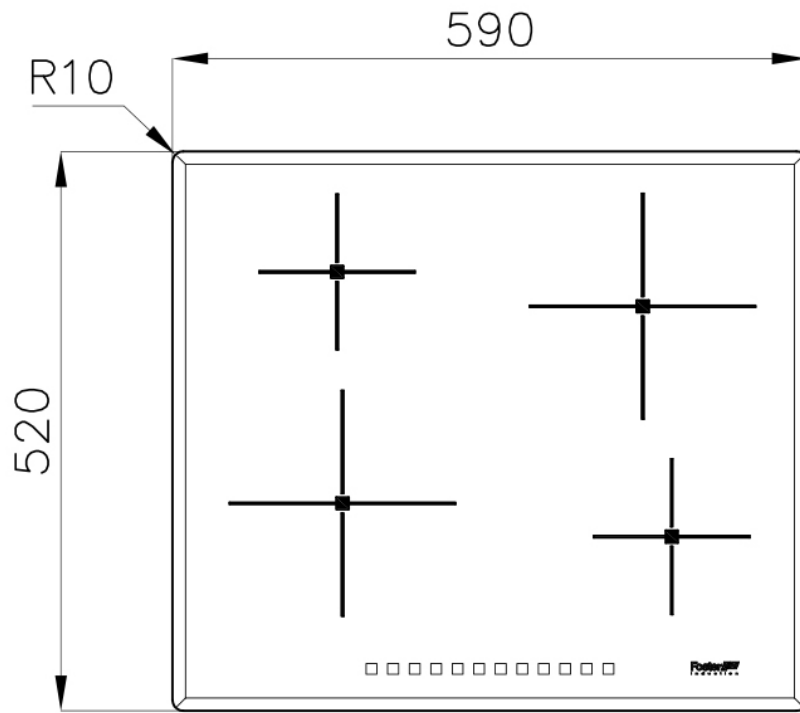
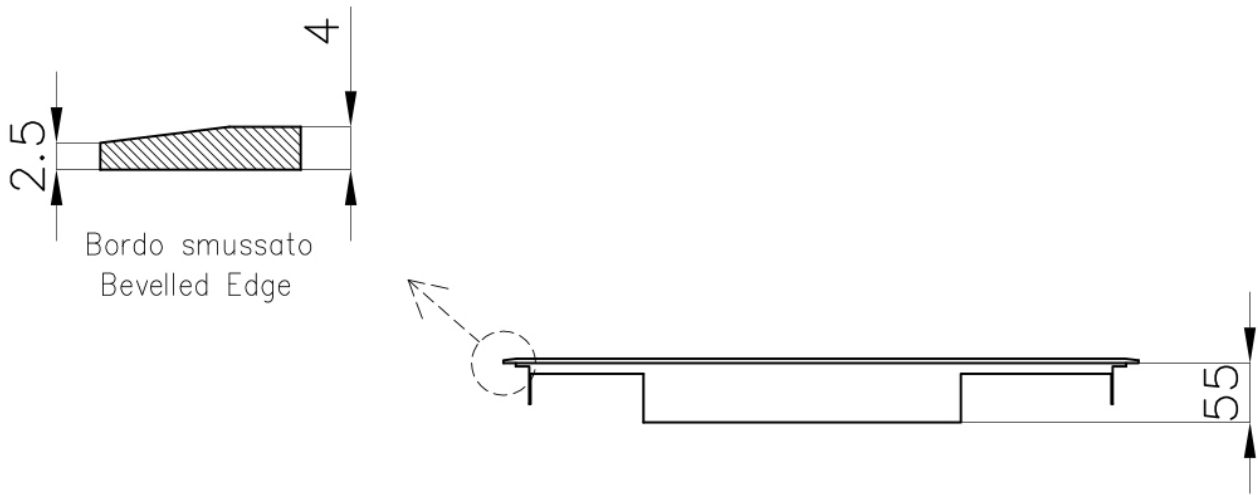
**Safety** All electric cooker hobs feature the most modern and sophisticated safety protections: Centralised power-off function; Child-proof safety lock; Residual heat warning lights. Induction models feature the following functions: Safety System that turn off the hob in the absence of the pot; Overflow detector that automatically turns off the plate in case of liquid overflow; Automatic deactivation to prevent accidents caused by forgetfulness.

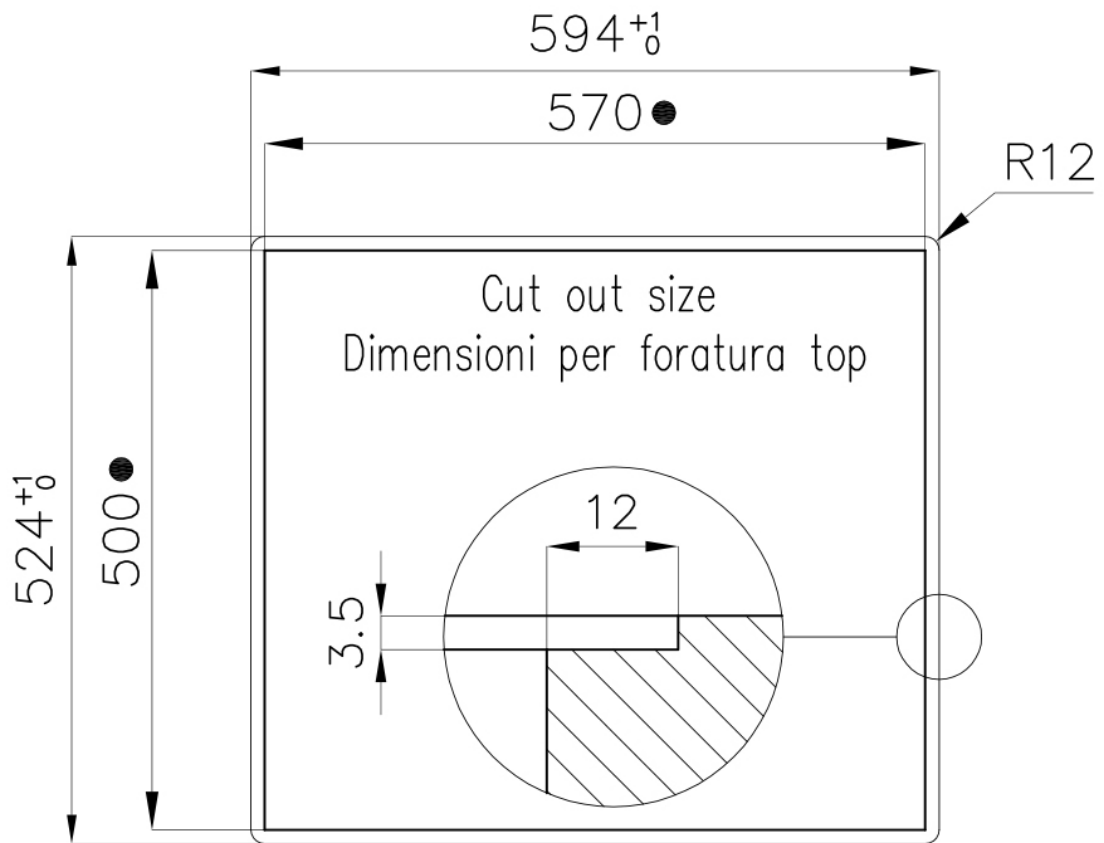
---

**Power control function** PowerControl function allows the use of induction technology also in case of household maximum power as low as 3 kW. The maximum power can indeed be self-limited to the desired level to a minimum of 2.8 kW. Once the maximum power is set, we can forget about the absorbed energy because Foster induction hob will give us a warning about possible limitations, allowing to choose how to allocate the available energy. The hob can be easily reprogrammed at any time to modify or remove the power limit.

---

## TECHNICAL DATA





- Built-in cut out for FTS – Foratura per installazione FTS

## OPTIONAL ACCESSORIES



Induction Pro - Cookware set -  
8pcs 8210 008

## RECOMMENDED PAIRINGS



Hood S4001 island  
2442091\_2442121



Sink Milanello workstation 1034  
050