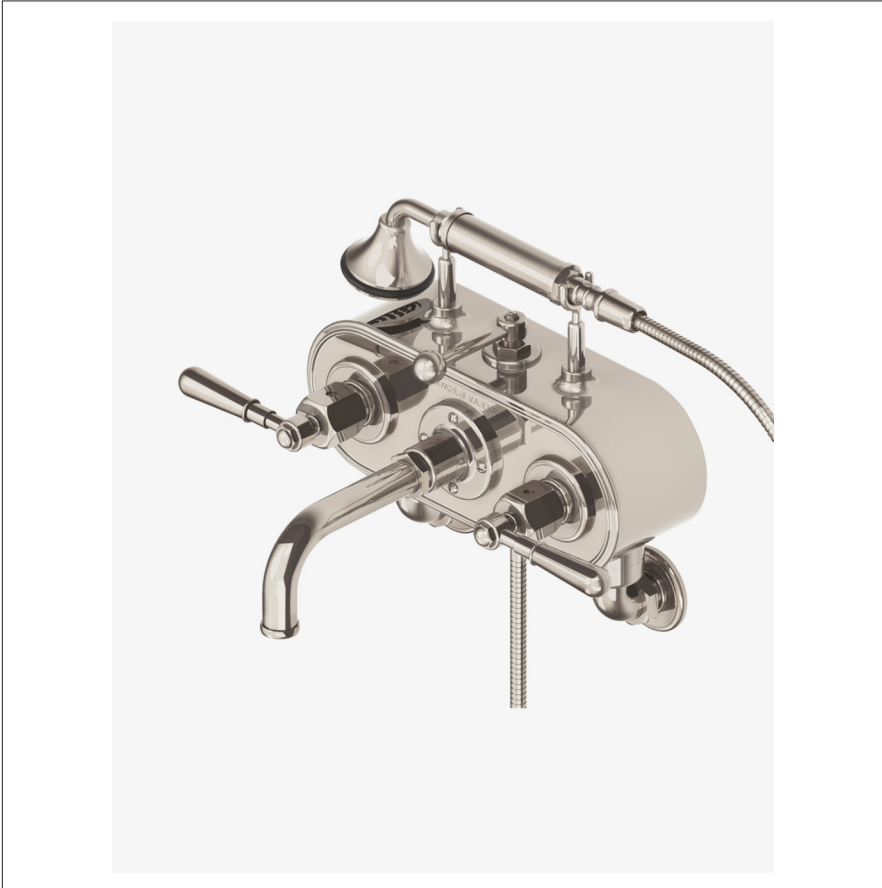


REGULATOR

RGXT31

Regulator Exposed Wall Mounted Tub Filler with Handshower and Metal Lever Handles



SHOWN IN REGULATOR EXPOSED WALL MOUNTED TUB FILLER WITH HANDSHOWER AND METAL LEVER HANDLES| RGXT31

TECHNICAL DETAILS

Adjustable versus Fixed Spray: Fixed
Fittings Hole Diameter: 1 3/8"
Flow Restriction Options: 2.5, 2.0, 1.75, 1.5, 0.92
Handle Turn Angle: Quarter Turn
Handshower / Spray Hose Length: 59"
Depth / Width: 11 13/16"
Height: 12"
Inlet Connection Size: 3/4"
Inlet Connection Type: Compression
Inlet Supply Spread Maximum: 8"
Inlet Supply Spread Minimum: 8"
Integrated Diverter: Y
Integrated Spray: Y
Length: 17 3/16"
Primary Material: Brass
Suggested Application: Bath
Water Pressure Maximum: 85.0 psi
Water Pressure Minimum: 20.0 psi
Water Pressure Recommended: 45.0 psi

INSPIRATION

A play on industrial controls from the early 1900s, when pride was lavished on parts. Translated to handcrafted, fittings project rugged beauty through powerful, detailed shapes.

PRODUCT FEATURES

Metal Lever Handle

Includes Required Unions for Mounting

Stocked in Nickel, Chrome and Unlacquered Brass

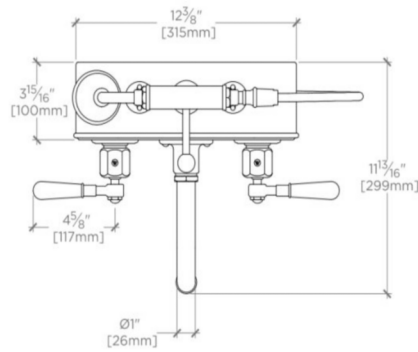
Stocked in 2.5gpm (9.5 L/min) and 1.75gpm (6.6 L/min) for handshower. State of California requires 1.75gpm (6.6 L/min) to comply with their water conservation requirements. Other flow options are available to order, contact your sales associate or call 1 (800) 899-6757 for details.



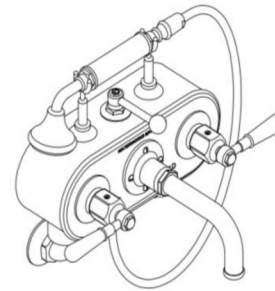
REGULATOR

RGXT31

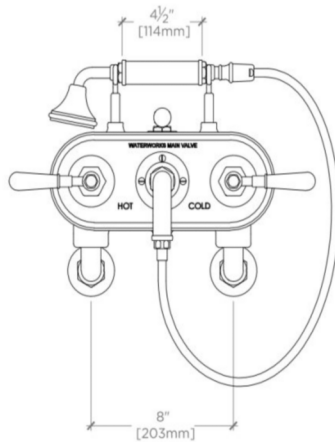
Regulator Exposed Wall Mounted Tub Filler with Handshower and Metal Lever Handles



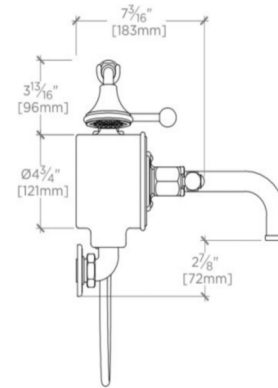
TOP VIEW SCALE: 1/2"=1'-0"



ISO VIEW SCALE: 1/2"=1'-0"



FRONT VIEW SCALE: 1/2"=1'-0"



SIDE VIEW SCALE: 1/2"=1'-0"