

Toilet surface hook lock, LH

Knud Holscher Collection

d line

PRODUCT DATA SHEET

ITEM NUMBER	SURFACE
14.3479.02.030	Satin stainless steel
16.3479.01.030	Polished stainless steel

PRODUCT
Toilet surface hook lock, LH, cc 38 mm

PICTURE



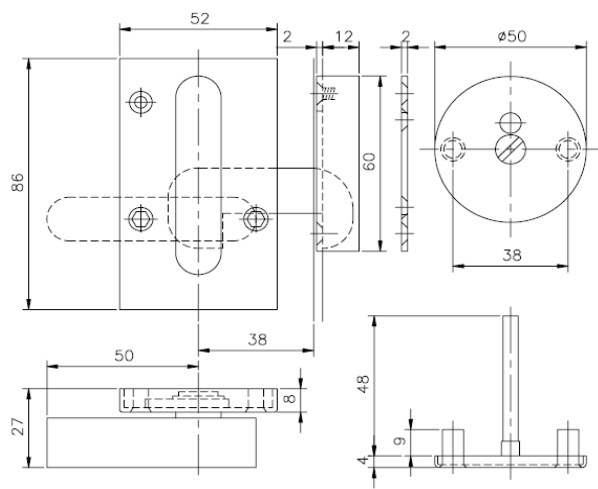
TENDER TEXT

Toilet surface hook lock, LH. Outstanding classic danish design by Knud Holscher. Material: stainless steel AISI 316 satin finish, cc 38 mm. W:86 mm x H:52 mm x D:27 mm.

PRODUCT SPECIFICATION

Dimensions: W:86 mm x H:52 mm x D:27 mm
Material: stainless steel AISI 316
Surface finish: satin finish, crafted by hand
Warranty for stainless steel (non movable) parts - 20 years

DRAWING



SPARE PARTS / ACCESSORIES:

14.2961.74.107 Section bolt set M4x110, with bushide

MOUNTING:

See instruction supplied with the product

PACKING:

1 pcs in a bag

PRODUCT CARE

d line products are produced in the highest quality stainless steel, marine grade, AISI 316. To sustain the unique d line finish appearance please follow the below instructions:

- Wash down the surfaces using soapy water or mild detergent
- Always thoroughly rinse off with clean water
- To complete the cleaning procedure dry/polish the surfaces with a soft dry cloth

Please do not use scouring powder, steel wool, chloride based detergents or other aggressive cleaning products as these may damage the surface.

If spots or corrosion appear on the surface it is not due to the stainless steel quality, but to impurities in the environment, aggressive conditions or improper or insufficient cleaning.