

REGULATOR

RGXT41

Regulator Exposed Deck Mounted Tub Filler with Handshower and Metal Wheel Handles



SHOWN IN REGULATOR EXPOSED DECK MOUNTED TUB FILLER WITH HANDSHOWER AND METAL WHEEL HANDLES]

TECHNICAL DETAILS

Adjustable versus Fixed Spray: Fixed
 Deck Thickness Maximum: 2 1/2"
 Deck Thickness Minimum: 1/4"
 Fittings Hole Diameter: 1 3/8"
 Flow Restriction Options: 2.5, 2.0, 1.75, 1.5, 0.92
 Handle Turn Angle: Quarter Turn
 Handshower / Spray Hose Length: 59"
 Depth / Width: 11 13/16"
 Height: 19 7/8"
 Inlet Connection Size: 3/4"
 Inlet Connection Type: Male BSPP
 Inlet Supply Spread Maximum: 8"
 Inlet Supply Spread Minimum: 8"
 Integrated Diverter: Y
 Integrated Spray: Y
 Length: 12 3/8"
 Primary Material: Brass
 Suggested Application: Bath
 Water Pressure Maximum: 85.0 psi
 Water Pressure Minimum: 20.0 psi
 Water Pressure Recommended: 45.0 psi

INSPIRATION

A play on industrial controls from the early 1900s, when pride was lavished on parts. Translated to handcrafted, fittings project rugged beauty through powerful, detailed shapes.

PRODUCT FEATURES

Metal Wheel Handle

Includes Required Unions for Mounting

Stocked in Nickel, Chrome and Unlacquered Brass

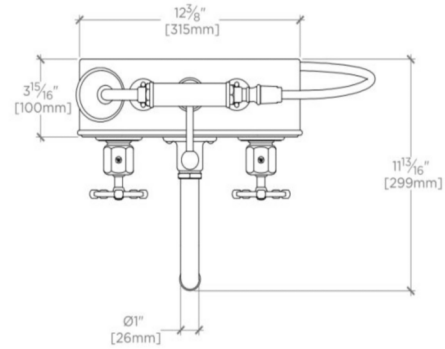
Stocked in 2.5gpm (9.5 L/min) and 1.75gpm (6.6 L/min) for handshower. State of California requires 1.75gpm (6.6 L/min) to comply with their water conservation requirements. Other flow options are available to order, contact your sales associate or call 1 (800) 899-6757 for details.



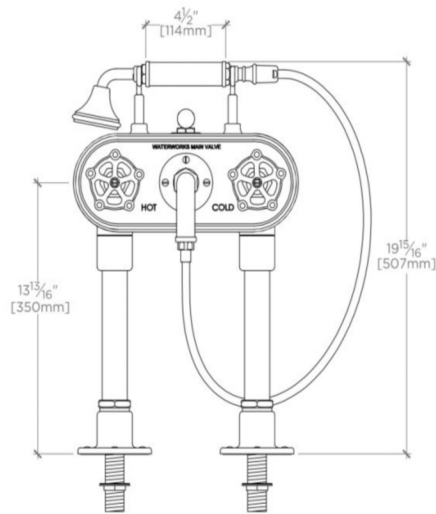
REGULATOR

RGXT41

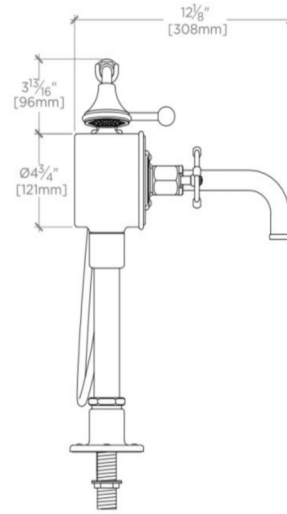
Regulator Exposed Deck Mounted Tub Filler with Handshower and Metal Wheel Handles



TOPVIEW SCALE: 1/2"=1'-0"



FRONT VIEW SCALE: 1/2"=1'-0"



SIDE VIEW SCALE: 1/2"=1'-0"