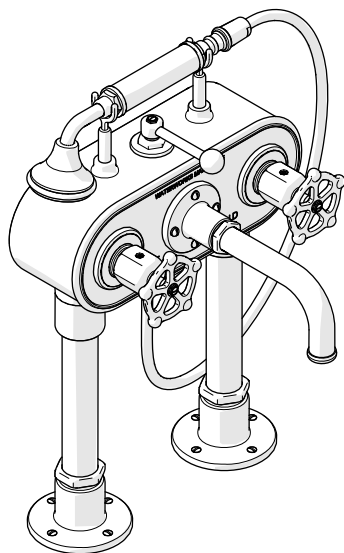


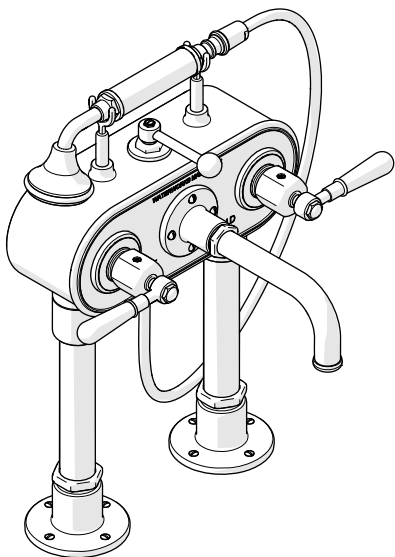
INSTALLATION GUIDELINES

STYLE No. RGXT40, RGXT41, RGXT50, RGXT51

Regulator Deck Mounted Exposed Tub Filler with Metal Handshower with Metal Handshower

**STYLE No. RGXT40/41**

Regulator Deck Mounted Exposed Tub Filler with Metal Handshower and Black/Metal Wheel Handles

**STYLE No. RGXT50/51**

Regulator Deck Mounted Exposed Tub Filler with Metal Handshower and Black/Metal Lever Handles

IMPORTANT:

- To ensure this product is installed properly, you must read and follow these guidelines.
- The owner/user of this product must keep this information for future reference.
- This product must be installed by a professional licensed contractor and must be onsite prior to rough-in. This allows the installer to visualize the installation and verify the 8" on-center inlet supply spread. The inlet supply spread on this product is **NOT** adjustable.
- An access panel must be installed for servicing and installation.
- Check the TUB measurements to assure the SPOUT projects far enough into the TUB.
- Run 3/4" supply lines for maximum flow and install accessible hot and cold service stop valves to facilitate servicing.
- Anti-scald protection is the responsibility of the installer and according to applicable codes. Be sure your installation conforms to federal state, and local codes. In the State of Massachusetts, all installation must comply with the rules and regulations set forth within 248 CMR.
- Inspect this product to ensure you have all the parts required for proper installation. Product is sold partially assembled but shown fully disassembled for illustrative and service purposes only.
- Use only a strap wrench or protected/smooth-jaw wrench on any finished surface.
- The use of certain plumber's putty may stain stone or tile surfaces.
- If further assistance is required, please contact Product Support at 1-800-927-2120 Monday through Friday, 8am - 6pm EST.
- Refer to the separate Service Parts Documents for available replacement parts.

INSTALLATION GUIDELINES

Regulator Deck Mounted Exposed Tub Filler with Metal Handshower

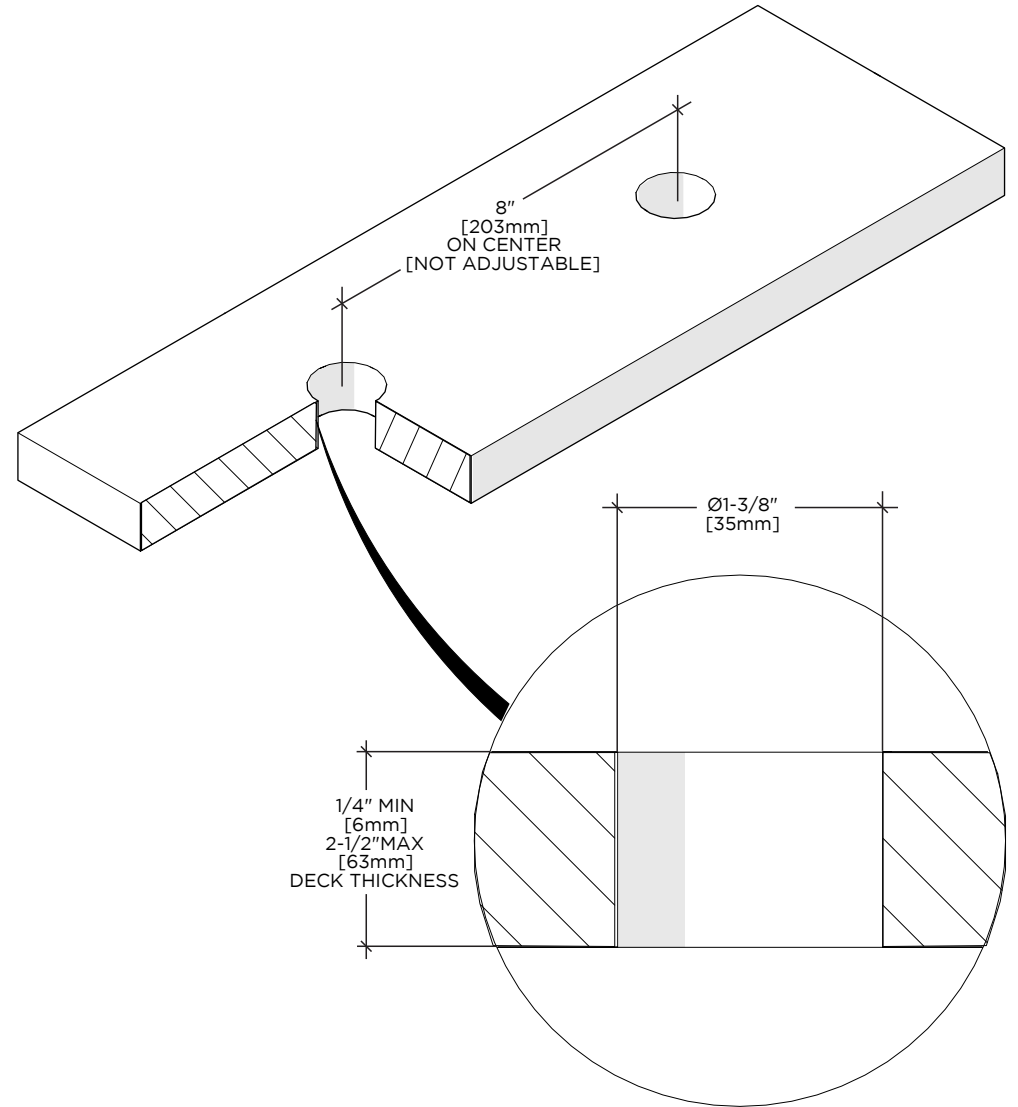
TECHNICAL DETAILS:

DECK THICKNESS	1/4" [6mm] MIN 2-1/2" [63mm] MAX
FITTING HOLE DIAMETER	1-3/8" [35mm]
HANDLE TURN ANGLE	QUARTER TURN
HANSHOWER HOSE LENGTH	68" [1730mm]
INLET CONNECTION	3/4" MALE NPT †
INLET SUPPLY SPREAD	8" [203mm] (NOT ADJUSTABLE)
INTEGRATED DIVERTER	YES
SPOUT REACH	10-3/4" [274mm]
WATER PRESSURE RANGE	20psi [1.5 bar] MIN 85psi [6.0 bar] MAX
WATER PRESSURE RECOMMENDED	45psi [3.0 bar]

† UK Style No. **RG40XT** and **RG50XT** are supplied with 2 **BSPP** ADAPTERS, assembly required.

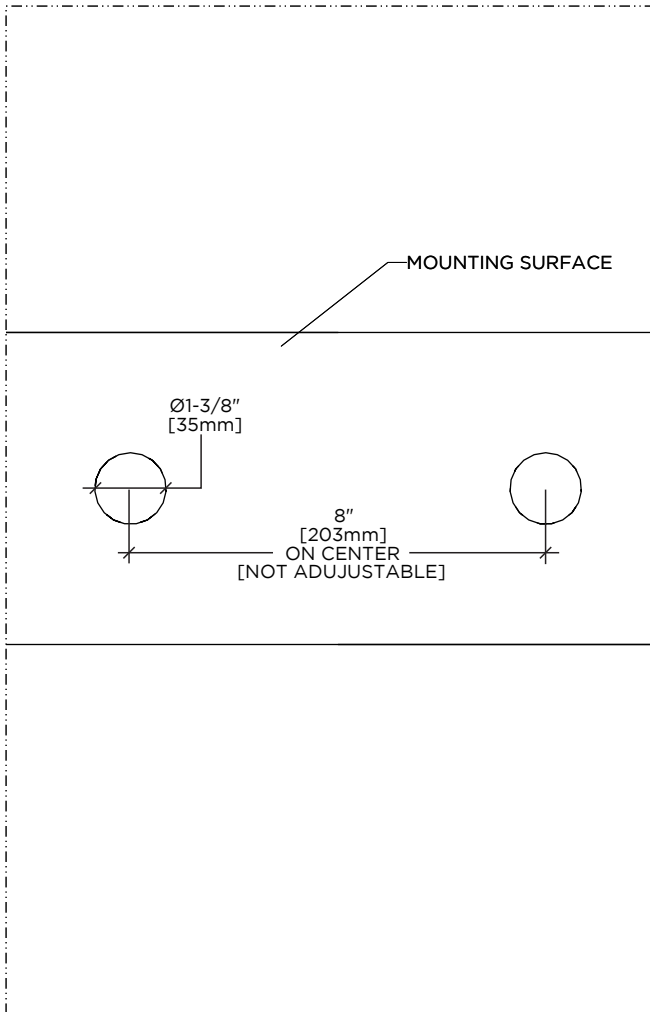
ROUGH-IN:

- Run well supported 3/4" hot and cold copper supply lines for maximum water flow.
- The inlet supply spread is 8" [203mm] on-center and is **NOT** adjustable.



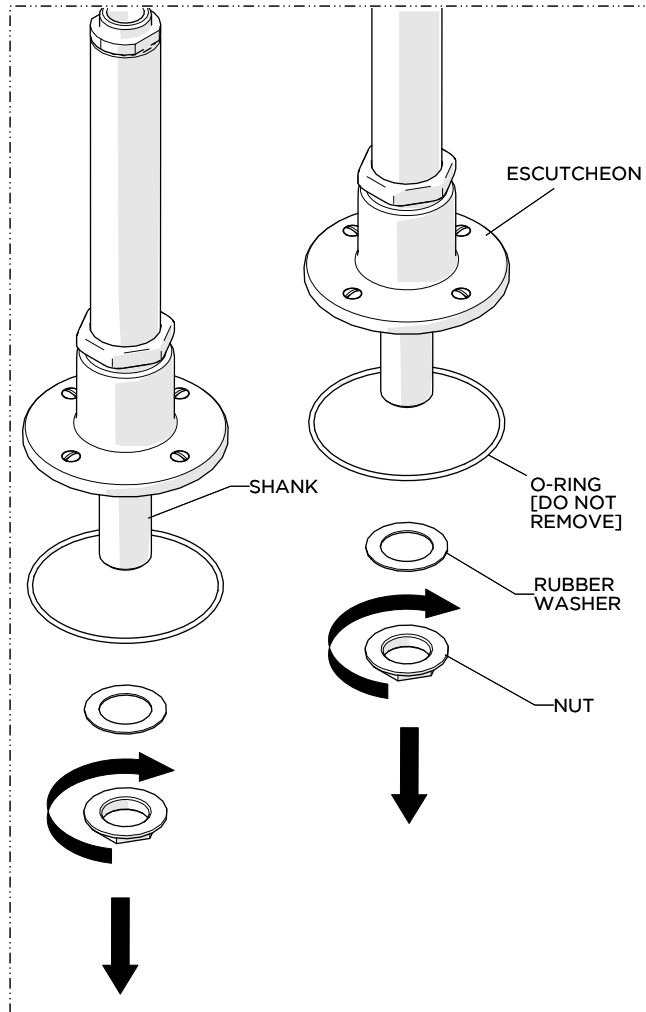
INSTALLATION GUIDELINES

Regulator Deck Mounted Exposed Tub Filler with Metal Handshower



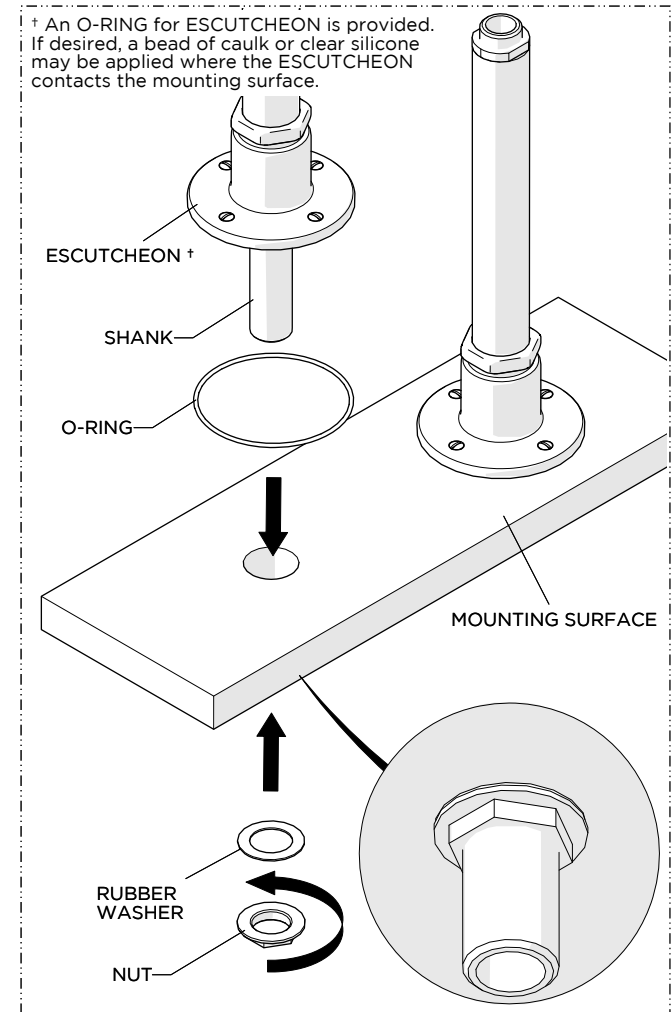
1. Mark and drill 2 holes of Ø1-3/8" [35mm] on the mounting surface with an on-center spread of 8" [203mm].

NOTE: On-center spread of fitting hole is **NOT ADJUSTABLE**.



2. **LEG INSTALLATION:**

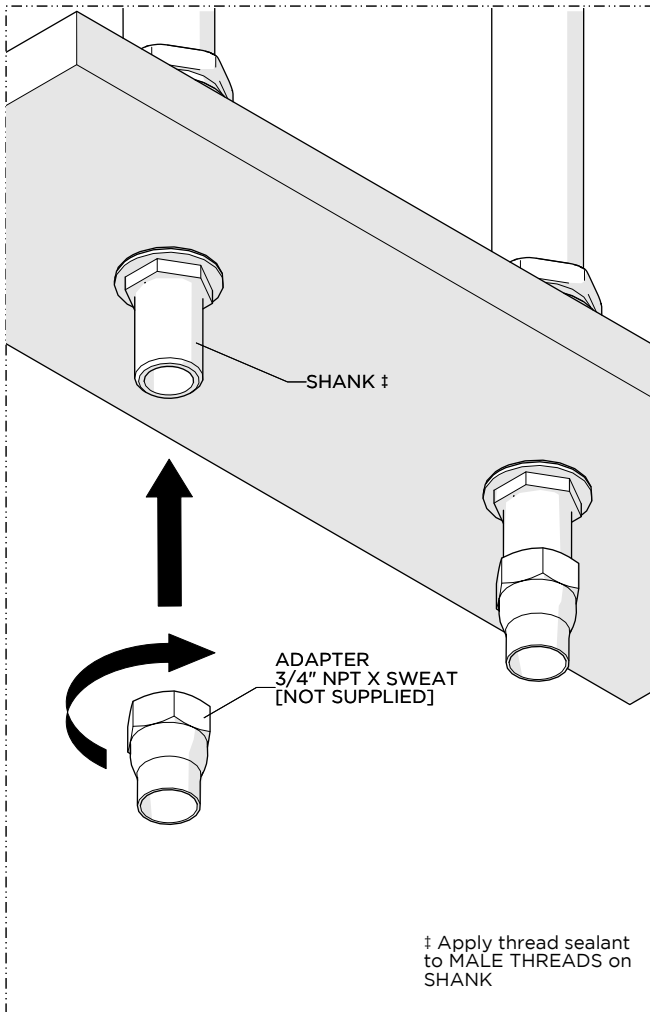
Unthread and remove the NUT, RUBBER WASHER and O-RING from each SHANK.



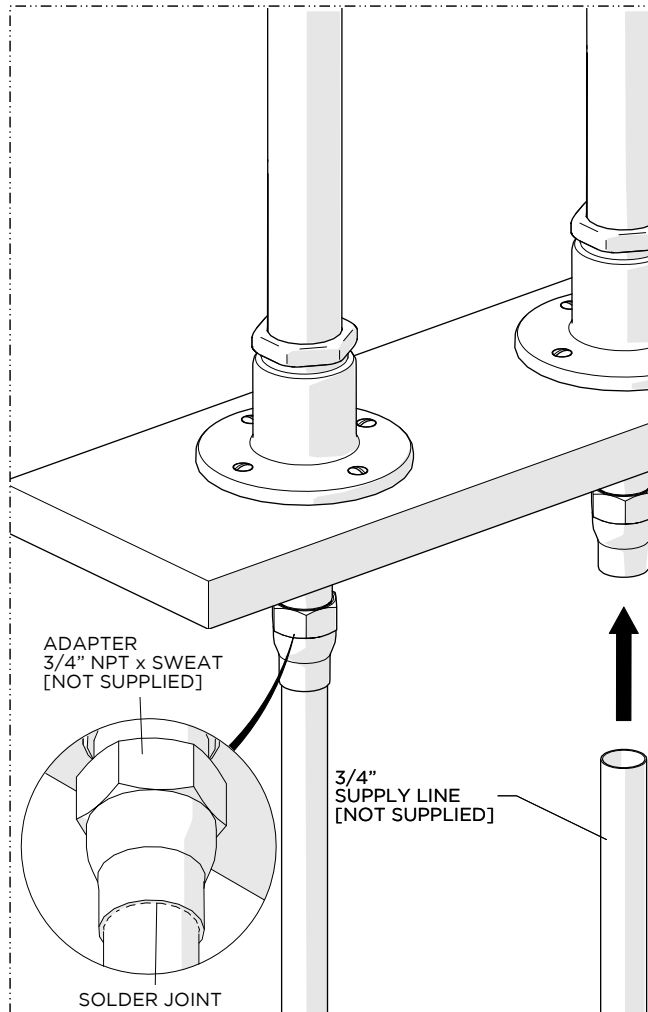
3. Insert the SHANK into the holes on the MOUNTING SURFACE making sure to use the O-RINGS provided, then thread and securely tighten the NUT against the underside of the mounting surface making sure to include the RUBBER WASHER provided.

INSTALLATION GUIDELINES

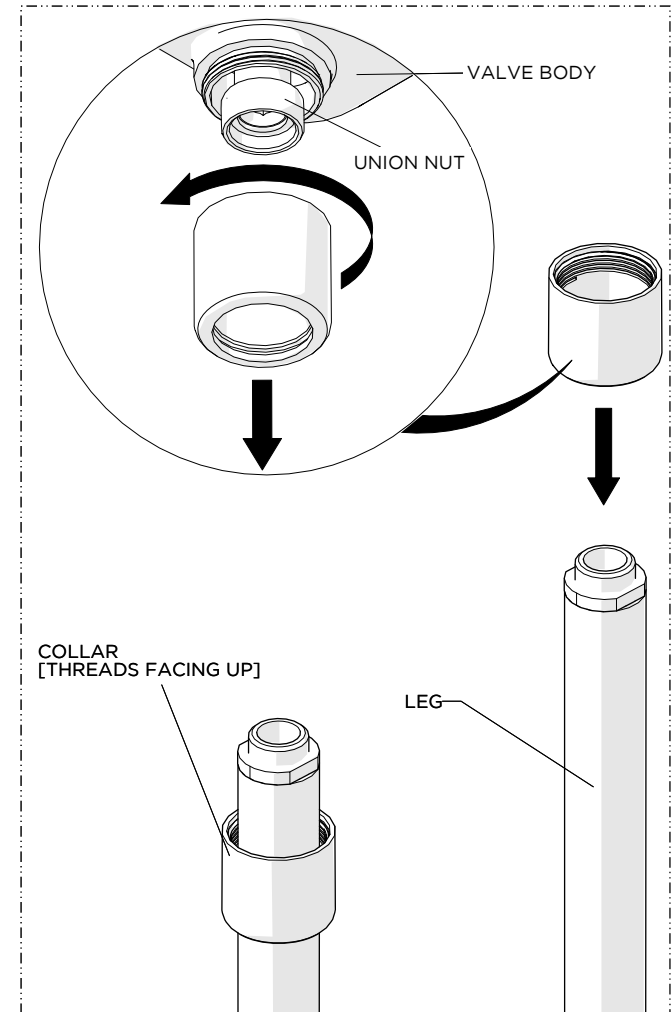
Regulator Deck Mounted Exposed Tub Filler with Metal Handshower



4. Apply thread sealant to the male threads on each SHANK, then thread and securely tighten 3/4" FEMALE NPT x SWEAT ADAPTER (NOT SUPPLIED) onto them.

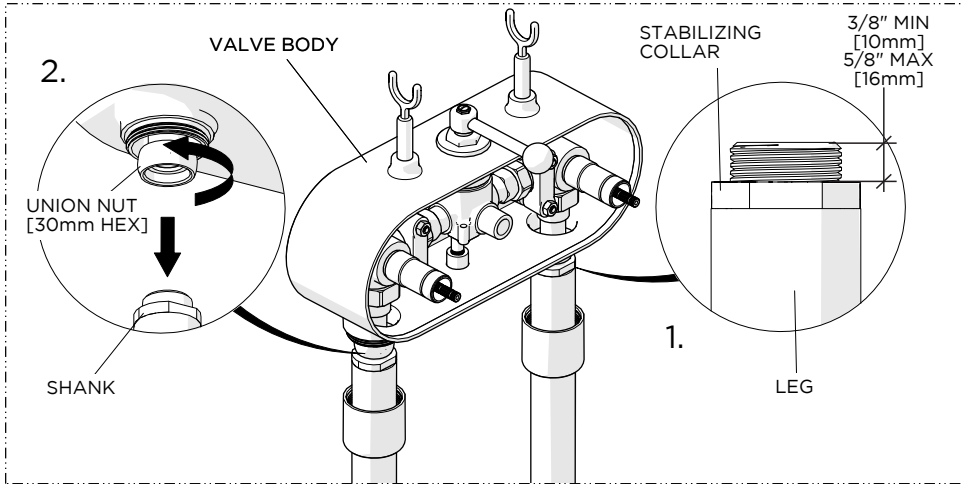


5. Adjust the length of each supply line as needed and complete final connections.



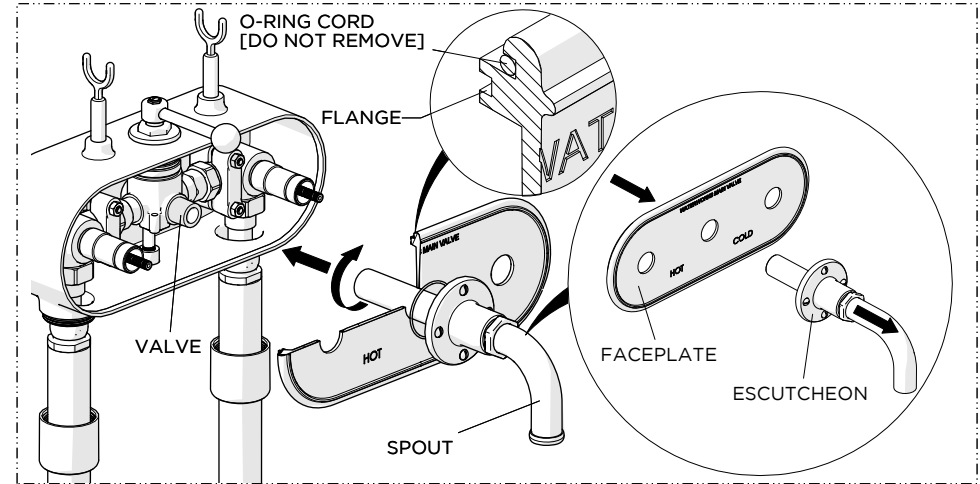
6. Unthread and remove the COLLAR from the VALVE BODY to expose the UNION NUT, then slide them down over the LEG making sure the threaded end of the COLLAR is facing up on each LEG.

INSTALLATION GUIDELINES

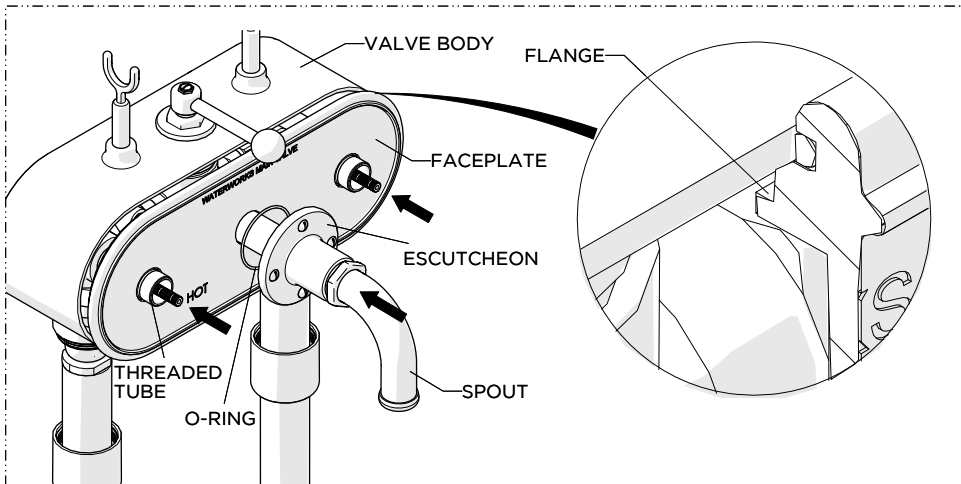


7. Fit the VALVE BODY over the LEGS and securely tighten the UNION NUT [30mm HEX] onto the SHANK.

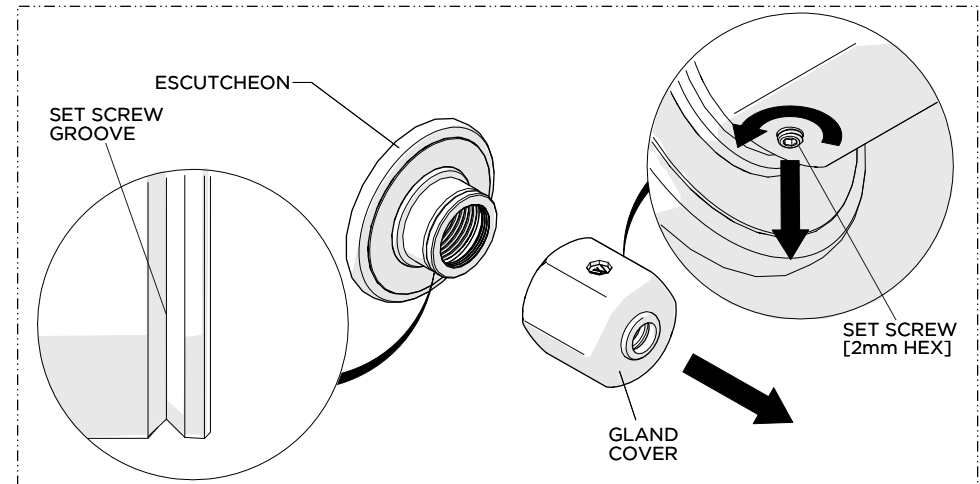
IMPORTANT: Make sure the SHANK is projected 3/8" [10mm] MIN to 5/8" [16mm] MAX from the surface of the STABILIZING COLLAR.



8. Slide the SPOUT ESCUTCHEON, O-RING and FACEPLATE down the SPOUT making sure the O-RING CORD is secured properly, then thread and securely tighten the SPOUT onto the VALVE.



9. Install the FACEPLATE over the THREADED TUBES. Be sure the flange on the FACEPLATE is fully seated within the VALVE BODY.

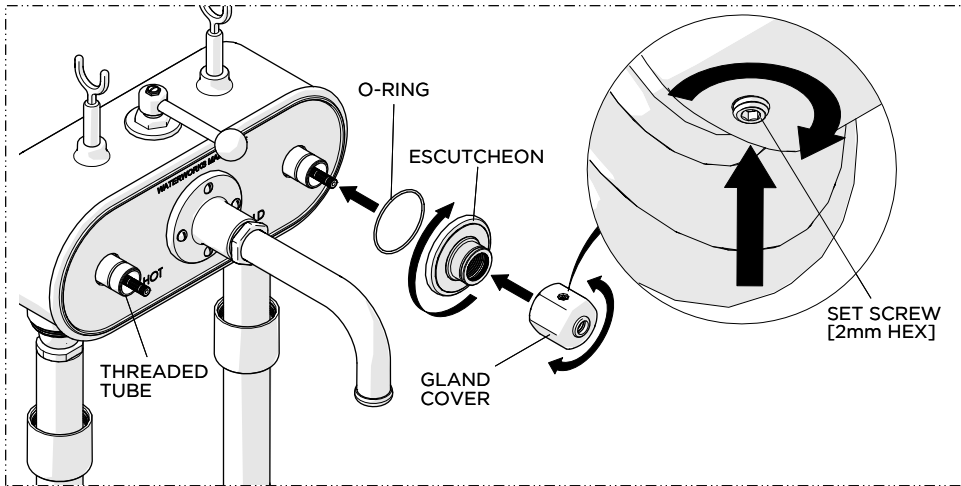


10. Loosen, but do NOT remove the SET SCREW using 2mm HEX KEY, then remove the GLAND COVER.

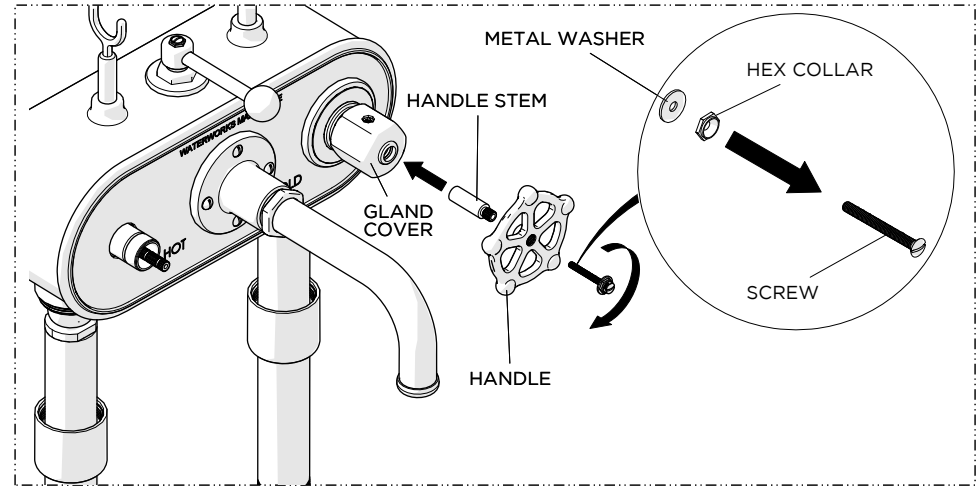
IMPORTANT: The GLAND COVER may be rotated to ensure it is in the desired orientation. Do NOT use the GLAND COVER as leverage to install the ESCUTCHEON.

INSTALLATION GUIDELINES

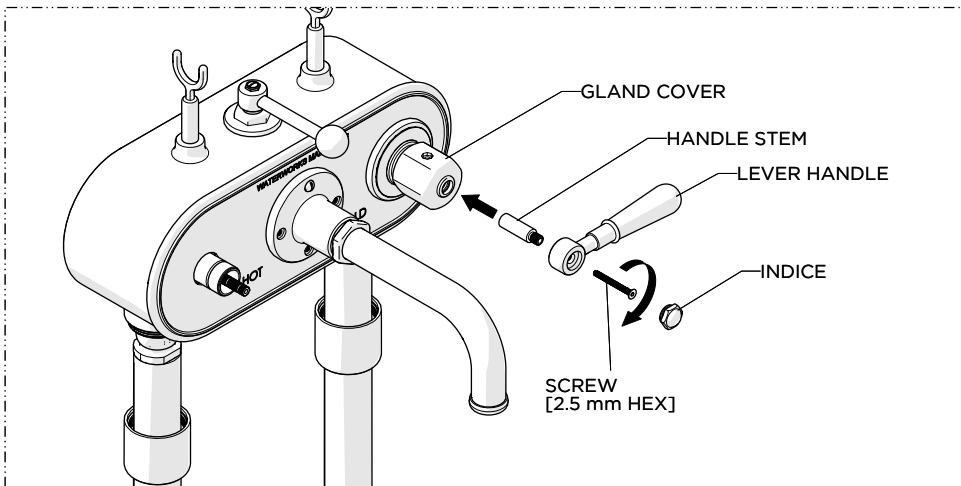
Regulator Deck Mounted Exposed Tub Filler with Metal Handshower



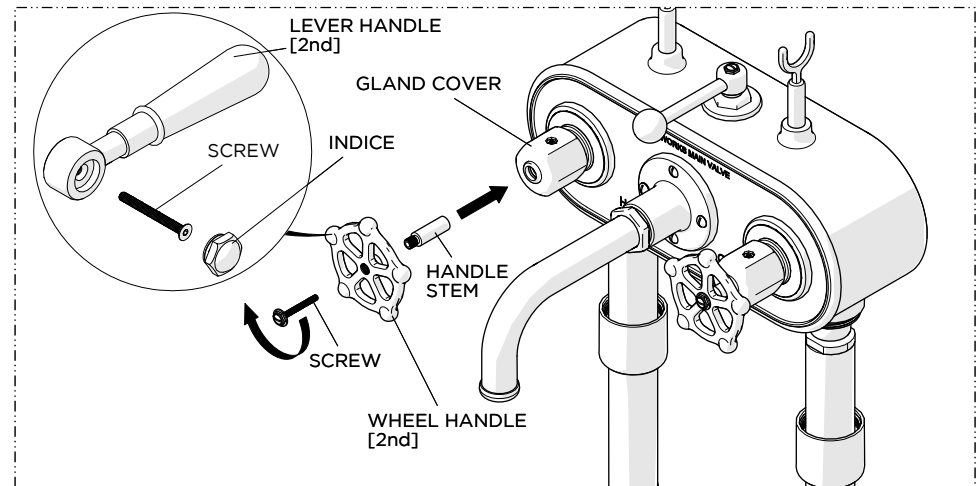
11. Thread and securely tighten the ESCUTCHEON onto the THREADED TUBE. Push the GLAND COVER onto the ESCUTCHEON until it is fully seated then rotate it to the desired orientation and securely tighten the SET SCREW.



12. **RGXT40/41 ONLY:** Insert the HANDLE STEM into the GLAND COVER, place the WHEEL HANDLE onto the STEM in the desired orientation then thread and securely tighten the SCREW making sure to include METAL WASHER and HEX COLLAR provided.



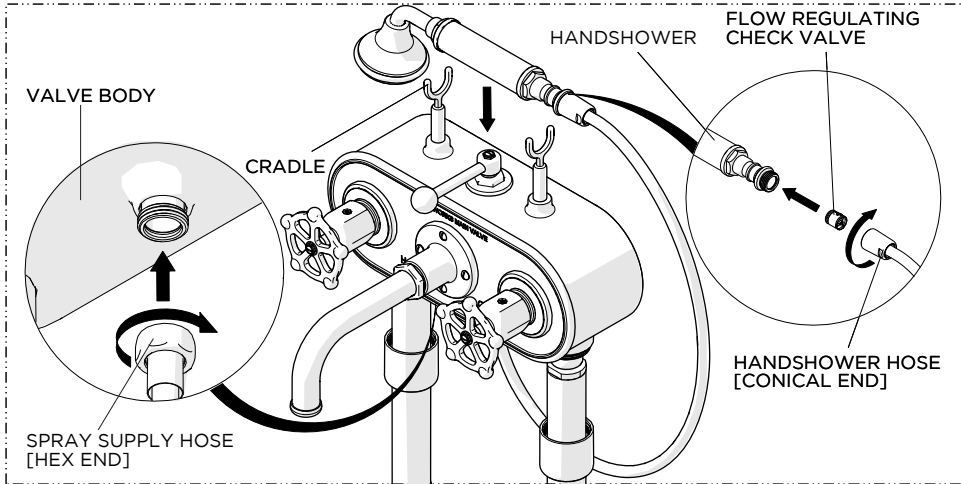
13. **RGXT50/51 ONLY:** Insert the HANDLE STEM into the GLAND COVER, place the LEVER HANDLE onto the STEM in the desired orientation, thread and securely tighten the SCREW then insert the INDICE into the HANDLE.



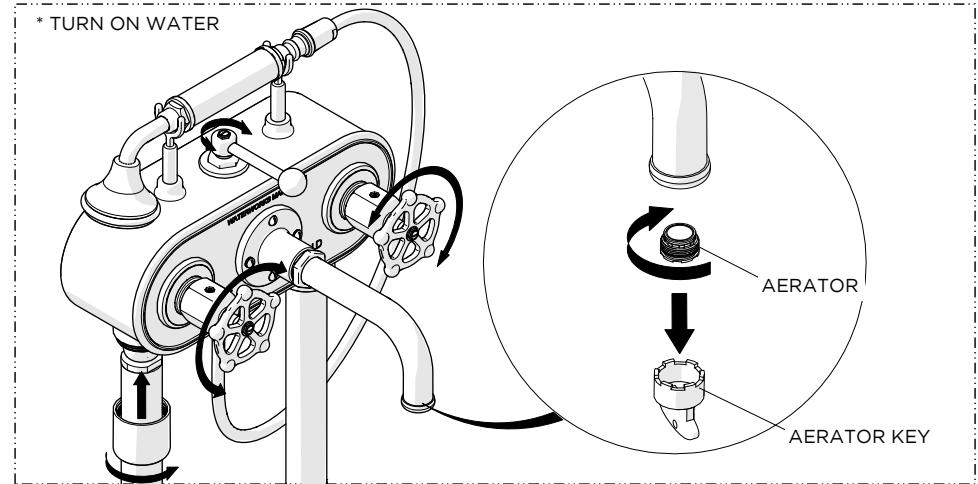
14. Repeat STEPS 10 - 13 to install the second [2nd] WHEEL or LEVER HANDLE.

INSTALLATION GUIDELINES

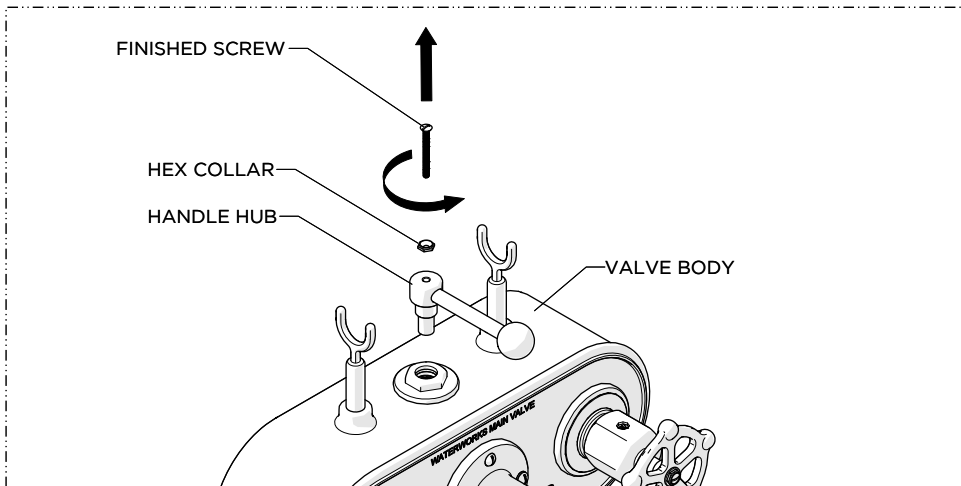
Regulator Deck Mounted Exposed Tub Filler with Metal Handshower



15. Thread and securely tighten the CONICAL END of the HOSE to the HANDSHOWER and HEX END of the HOSE onto the VALVE BODY, then place the HANDSHOWER over the CRADLE on the VALVE BODY.
NOTE: A FLOW REGULATING CHECK VALVE is located inside the inlet of HANDSHOWER.

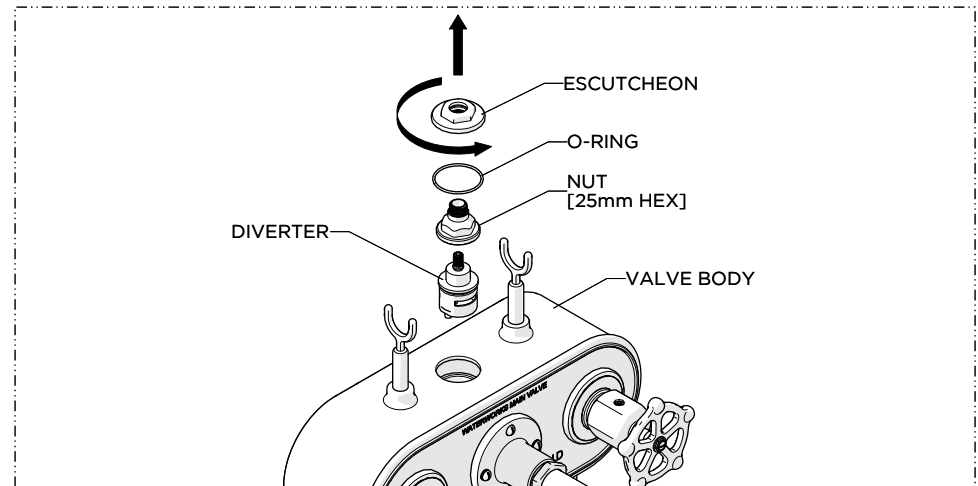


16. Remove the AERATOR from SPOUT using the AERATOR KEY provided, then turn on the water and operate the HANDLES and DIVERTER HANDLE to flush out any debris in the supply line and to ensure they function properly. Inspect all connections for leaks, then thread and securely tighten the COLLAR onto the VALVE BODY. Turn off the water and re-install the AERATOR.



SERVICING:

1. Unthread and remove the FINISHED SCREW, HEX COLLAR, and HANDLE HUB from the VALVE BODY.



2. Remove the ESCUTCHEON and NUT [25mm HEX] from the VALVE BODY. Remove the DIVERTER.