

REGULATOR

Regulator Exposed Deck Mounted Tub Filler with Handshower and Metal Lever Handles

RGXT51



SHOWN IN REGULATOR EXPOSED DECK MOUNTED TUB FILLER WITH HANDSHOWER AND METAL LEVER HANDLES| RGXT51

TECHNICAL DETAILS

Adjustable versus Fixed Spray: Fixed
Deck Thickness Maximum: 2 1/2"
Deck Thickness Minimum: 1/4"
Fittings Hole Diameter: 1 3/8"
Flow Restriction Options: 2.5, 2.0, 1.75, 1.5, 0.92
Handle Turn Angle: Quarter Turn
Handshower / Spray Hose Length: 59"
Depth / Width: 11 13/16"
Height: 19 7/8"
Inlet Connection Size: 3/4"
Inlet Connection Type: Male BSPP
Inlet Supply Spread Maximum: 8"
Inlet Supply Spread Minimum: 8"
Integrated Diverter: Y
Integrated Spray: Y
Length: 17 3/16"
Primary Material: Brass
Suggested Application: Bath
Water Pressure Maximum: 85.0 psi
Water Pressure Minimum: 20.0 psi
Water Pressure Recommended: 45.0 psi

INSPIRATION

A play on industrial controls from the early 1900s, when pride was lavished on parts. Translated to handcrafted, fittings project rugged beauty through powerful, detailed shapes.

PRODUCT FEATURES

Metal Lever Handle

Includes Required Unions for Mounting

Stocked in Nickel, Chrome and Unlacquered Brass

Stocked in 2.5gpm (9.5 L/min) and 1.75gpm (6.6 L/min) for handshower. State of California requires 1.75gpm (6.6 L/min) to comply with their water conservation requirements. Other flow options are available to order, contact your sales associate or call 1 (800) 899-6757 for details.

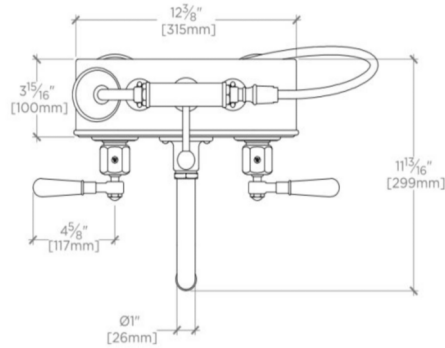


WATERWORKS

REGULATOR

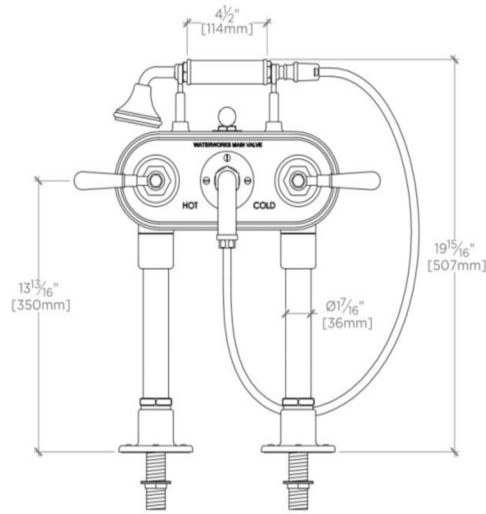
RGXT51

Regulator Exposed Deck Mounted Tub Filler with Handshower and Metal Lever Handles



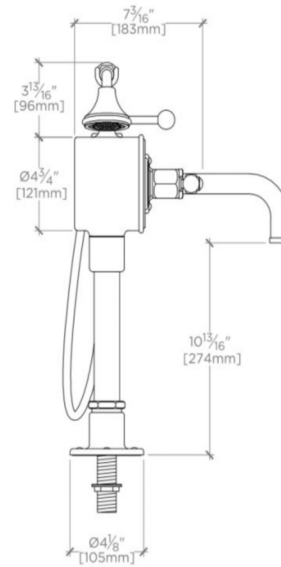
TOPVIEW

SCALE: 1/2"=1'-0"



FRONT VIEW

SCALE: 1/2"=1'-0"



SIDE VIEW

SCALE: 1/2"=1'-0"