

Key escutcheon, ASSA cylinder

Bjarke Ingels Group Collection

d line

PRODUCT DATA SHEET

ITEM NUMBER	SURFACE
12.8004.02.021	Satin Stainless Steel
12.8004.R9.021	Matt white RAL 9003
12.8004.R8.021	Matt black RAL 9005

PRODUCT

Key escutcheon by BIG, snap-on-cover cc 30 mm, 33-100 mm

PICTURE



TENDER TEXT

Key escutcheon by Bjarke Ingels Group. Pebble is a series of bathroom accessories and a matching lever handle by Bjarke Ingels Group. This playful series is inspired by a pill's futuristic, balancing elliptical shape that leads the mind to sci-fi scenography of another world. Material: stainless steel AISI 304 satin finish, with snap-on-cover cc 30 mm, 33-100 mm. W:60 mm x H:60 mm x D:7 mm.

PRODUCT SPECIFICATION

Dimensions: W:60 mm x H:60 mm x D:7 mm.
Material: stainless steel AISI 304
Surface finish: satin grain 320, crafted by hand
Warranty for stainless steel - 20 years

SPARE PARTS / ACCESSORIES:

14.2962.74.071 - Sectioned bolt M5 x 110 mm with bush, set of 2 (not included)

MOUNTING:

See instruction supplied with product.

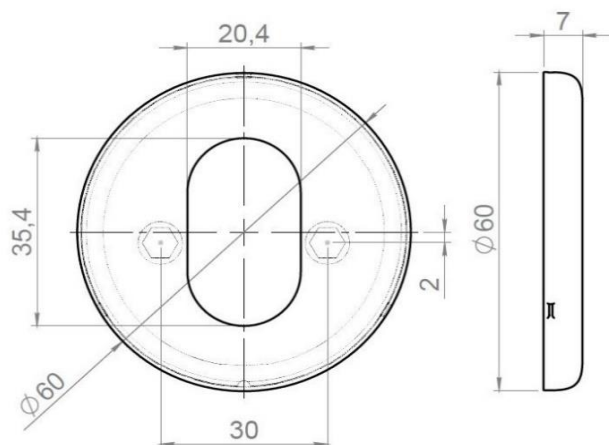
PACKING:

50 sets per box

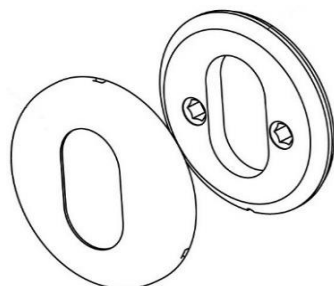
CERTIFICATES & AWARDS:



DRAWING



ISO-DRAWING



PRODUCT CARE

To sustain the unique d line finish appearance please follow the below instructions:

- Wash down the surfaces using soapy water or mild detergent
- Always thoroughly rinse off with clean water
- To complete the cleaning procedure dry/polish the surfaces with a soft dry cloth

Please do not use scouring powder, steel wool, chloride based detergents or other aggressive cleaning products as these may damage the surface.

If spots or corrosion appear on the surface it is not due to the stainless steel quality, but to impurities in the environment, aggressive conditions or improper or insufficient cleaning.