

### Features

- Compact one-piece toilet with integrated cleansing.
- Elongated bowl offers added room and comfort.
- 1.28 gpf (4.8 lpf).
- Advanced bidet functionality with self-cleaning wand, precision air dryer, and deodorizing filter all in one.
- Personalized settings for two users for heated seat, dryer, and water temperature.
- Intuitive touchscreen remote is hand-held or wall-mounted.
- Motion-activated, hands-free opening/closing of cover.
- LED nightlight illuminates the bowl for added convenience in dark spaces.
- Self-cleaning wand automatically performs rinse cycle after each use.
- Carbon filter neutralizes odors for up to a year.

### Technology

- Power Lite® flushing technology offers a powerful 1.28-gallon flush that is controlled from either the touchscreen or integrated remote.

### Installation

- Standard 12" (305 mm) rough-in.
- Minimum static pressure of 20 psi required.
- Dedicated electrical GFCI circuit required (120V, 15A, 60Hz, 1800W).

### Water Conservation & Rebates

- Eligible for consumer rebates in some municipalities.

### Recommended Products/Accessories

K-23726 Drain treatment

### Included Components

Additional Components:

LCD remote control  
Seat  
power cord  
supply line



### Codes/Standards

ASME A112.19.2/CSA B45.1  
ASME A112.4.2/CSA B45.16  
DOE - Energy Policy Act 1992  
EPA WaterSense®  
California Energy Commission (CEC)  
UL 1951  
CSA C22.2 No. 14  
CSA C22.2 No. 68

### KOHLER® Intelligent Toilet and C3® Cleansing Seat Three-Year Limited Warranty

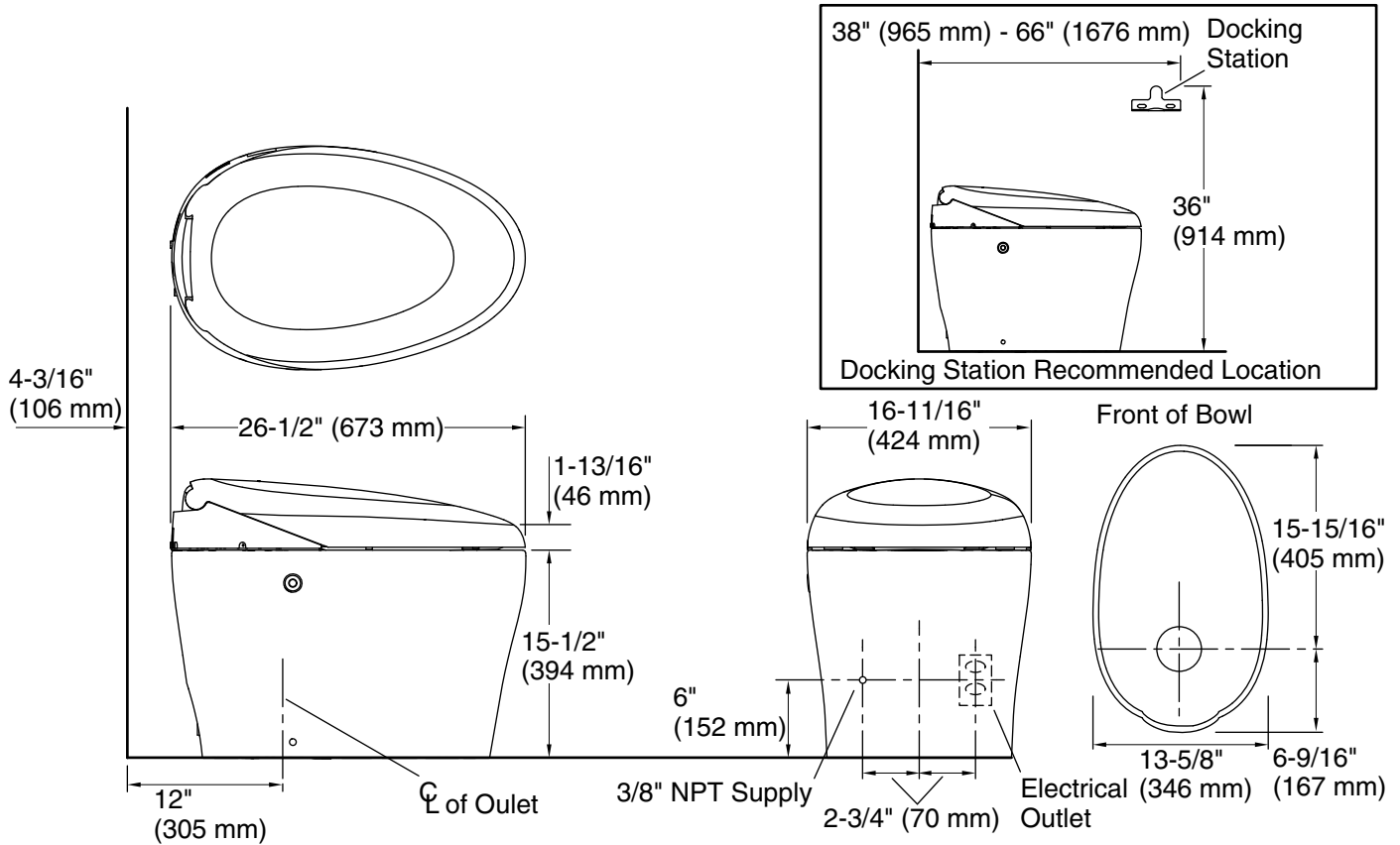
See website for detailed warranty information.

### Available Colors/Finishes

*Color tiles intended for reference only.*

#### Color Code Description

■ 0 White



### Required Electrical Service

One dedicated circuit required, protected with Class A Ground-Fault Circuit-Interrupter (GFCI). Outside North America, this device may be known as a Residual Current Device (RCD).  
 120 V, 15 A, 60 Hz

### Technical Information

All product dimensions are nominal.  
 Toilet type: One-piece, Floor-mount  
 Waste Outlet: Floor  
 Bowl shape: Elongated  
 Trap passageway: 2-7/8" (73 mm)  
 Water Consumption  
     Full: 1.28 gpf (4.8 lpf)  
 Water surface size: 12" x 9-1/2" (305 mm x 241 mm)  
 Rim to water surface: 4-7/8" (124 mm)  
 Rough-in: 12" (305 mm)  
 Seat-mounting holes: 5-1/2" (140 mm)

### Fixture Supply Requirements

Min static pressure: 20 psi (137.9 kPa)

### Notes

Install this product according to the installation instructions.  
 This product is designed for installation with the electrical and water supplies located through either the wall or the floor.  
 If the rough-in distance is less than 12" (305 mm) the seat may strike the wall when it is opened. Confirm the rough-in is 12" (305 mm) before installing the toilet.