



IB RUBINETTI

Collection

TWITTER

Article

TW250

Description

Wall mounted bath filler

Box Dimensions

370 x 270 x 80 mm

Weight

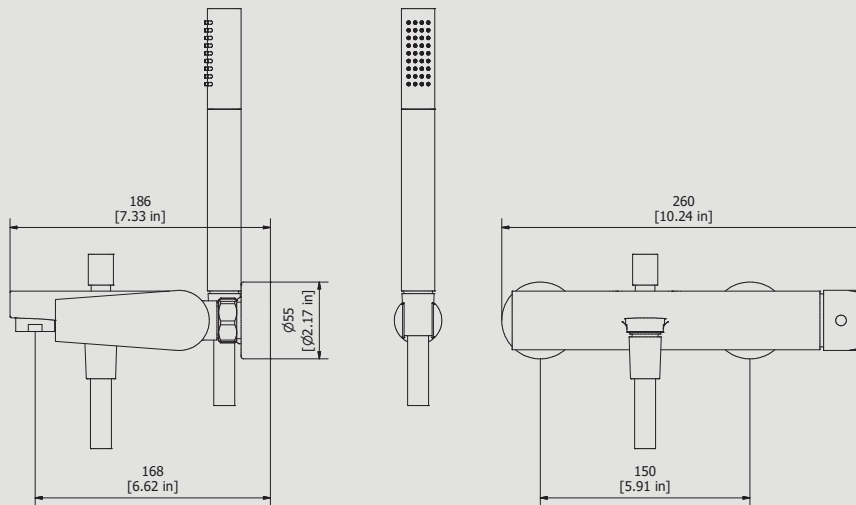
2.7 kg

Finishes

- **CC**
CHROME
- **CF**
BLACK CHROME
- **OO**
GOLD
- **BB**
ANTIQUE BRONZE
- **SS**
BRUSHED NICKEL
- **CS**
BRUSHED BLACK CHROME
- **BO**
MATT WHITE
- **NP**
MATT BLACK
- **IS**
BRUSHED PALE GOLD
- **OS**
BRUSHED GOLD
- **II**
PALE GOLD
- **RR**
ANTIQUE COPPER
- **RS**
ROSE GOLD
- **ON**
NATURAL BRASS
- **SR**
BRUSHED ROSE GOLD
- **PL**
PLATINUM



Dimensions



Cartridge

Ø35 ceramic cartridge

Threaded fitting

G1/2" male

Aerator

M28x1

Flow Rate (+/-10%)

1 BAR	2 BAR	3 BAR
12 l/min	16.7 l/min	20.5 l/min

Production

Main body is a single casted pieces

Material

BRASS
According to CuZn35Pb2Al-B (CB752S)
Max Lead content: 1.36%

IB RUBINETTERIE s.p.a
via dei Pianotti 3/5
25068 Sarezzo (BS) - Italy -

T. +39 030 802101
F. +39 030 803097
info@ibrubinetterie.it

P.IVA 01785230986
capitale sociale
€420.000,00 i.v.

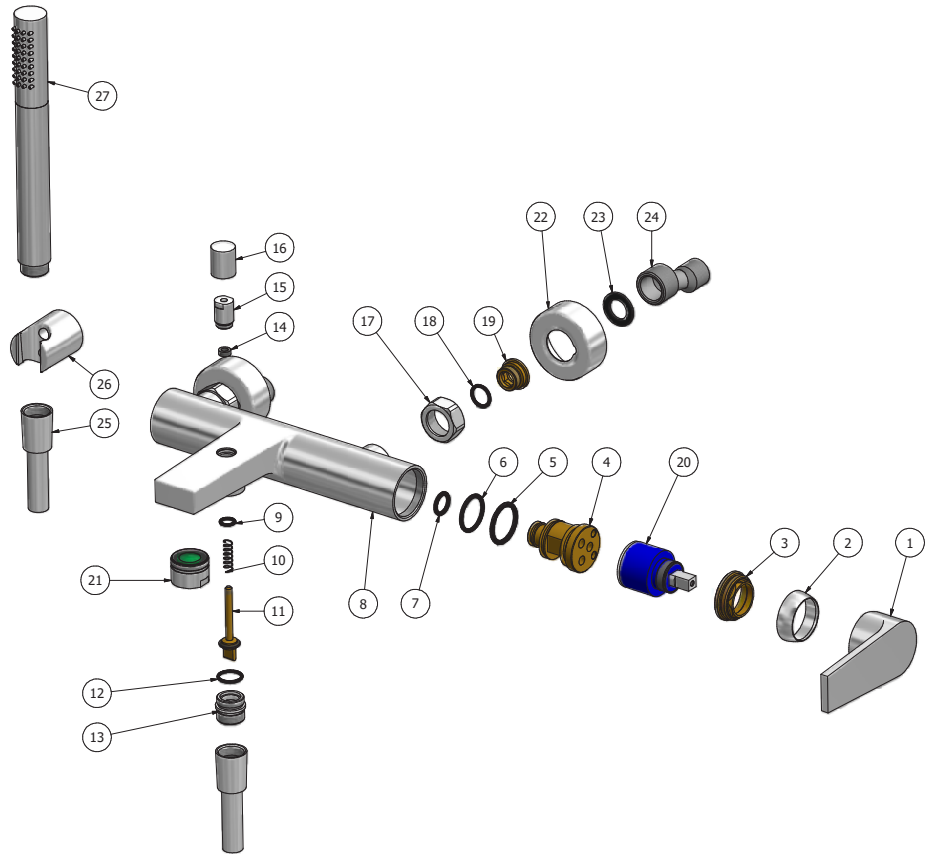
WWW.IBRUBINETTI.IT





IB RUBINETTI

ELENCO PARTI			
EL	CODICE	DESCRIZIONE	QT
1	AQ0013694	Complete handle with inox screw and plug	1
2	AQ0013676	Cartridge fixing nut chromed cover	1
3	AQ0013677	Cartridge fixing nut	1
4	AQ0013678	Insert H46.6	1
5	AQ0013679	OR 26x3 NBR 70 SH	1
6	AQ0013680	OR 24x2.5 NBR 70 SH	1
7	AQ0013681	OR 13x2.5 NBR 70 SH	1
8	CC0002216	Bath body	1
9	AQ0001340	OR 8.73x1.78 NBR 70 SH	1
10	AQ0013690	Diverter's spring L26	1
11	AQ0013691	Diverter's rod with gaco Ø5 L59	1
12	AQ0004600	OR 15.6x1.78 NBR 70 SH	1
13	AQ0013692	Connection G1/2" M M20x1 M H18.5	1
14	AQ0013689	Rubber packing Ø9 Ø3.5 H3.5	1
15	AQ0013688	Diverter's insert M12x1 H21	1
16	AQ0013687	Knob Ø18 H22	1
17	AQ0013682	Nut G3/4"	2
18	AQ0001390	OR 14x2 NBR 70 SH	2
19	AQ0013683	Seal M18x1 sx	2
20	AQ0004095	Ceramic cartridge Ø35 Wout/D K 35 A	1
21	AQ0009068	Neostrahl LP flow straightener - TF size (01.455.00001)	1
22	AQ0013685	Rosette Ø55 H21	2
23	AQ0001600	Gasket 24x16x2 G3/4"	2
24	AQ0013686	Eccentric nut G3/4" G1/2"	2
25	AQ0010066	Cromolux hose L150	2
26	AQ0013670	Handshower support with fisher	1
27	AQ0013557	Onair hand shower	1



WARRANTY

All IB Rubinetterie SpA products are warranted for 10 years from the date of purchase, for the following cases:

- Defects of casting, porosity and chrome plating.
- Operating defects caused by incorrect fabrication.

The warranty provides for repair or replacement of products with fabrication defects recognized by our technical office. There is no other type of compensation anche the merchandise must be returned FOB our warehouse. The warranty only cover surface defects (scatches, dings, etc.) on fitting that have not been installed and used, returned in its original packaging with all components. O-ring, gasket seals and components subject to wear proportional to use are warranted for 2 years.

The warranty is void in the following cases:

Error installing and putting the product into service.

Deterioration of finished surfaces due to use of cleaning products containing acids or abrasive substances. Deterioration of surface with finishes other than chrome plating. Their durability is, in fact, dependent on the user's care and gentleness of use.

Deterioration of the fitting due incorrect installation.

Improper repairs and maintenance performed without the company's prior authorization.

The warranty from IB Rubinetterie SpA is not renewable.

Cleaning

We recommended cleaning the finish surfaces with water and soap, using a soft cloth.

Do not use detergents that contain hydrochloric acid or abrasive substances.

