



# Gabrielle™ Comfort Height®

One-piece elongated chair height toilet

## K-3615

### Features

- One-piece toilets integrate the tank and bowl into a seamless, easy-to-clean design.
- Compact elongated bowl offers added comfort while occupying the same space as a round-front bowl.
- Comfort Height® feature offers chair-height seating that makes sitting down and standing up easier for most adults.
- 1.28 gpf (4.8 lpf).
- 2-1/8" (54 mm) fully-glazed trapway.
- Standard left-hand trip lever included.
- Includes Reveal® Quiet-Close™ with Grip-Tight seat.

### Technology

- Single-flush gravity uses the force of gravity and a precision-engineered tank, bowl, and trapway to create a strong siphon during flushing.
- Class Five® flushing technology offers virtually plug-free performance and rinsing power for a clean bowl.
- Flush valve's 3:2 ratio harnesses the natural force of gravity and optimizes flush performance.
- Durable canister design has 90% less exposed seal material than a 3" flapper for leak-free performance.
- Light-touch canister flush requires a lower actuation force than a flapper.
- Canister flush valve optimizes flush performance and resists warping and deterioration.

### Installation

- Standard 12" (305 mm) rough-in.
- Supply line sold separately.

### Water Conservation & Rebates

- Eligible for consumer rebates in some municipalities.

### Recommended Products/Accessories

- K-75796 Cachet® Nightlight Quiet-Close™ Elongated Toilet Seat
- K-4108 C³®-230 Elongated cleansing toilet seat
- K-5420 Low-Profile Bolt Caps
- K-9464-L Left-Hand Trip Lever
- 1023457 Wax Ring/Hardware Kit
- 1265114 Connector Hose
- K-23726 Drain treatment



ADA CSA B651 OBC

### Codes/Standards




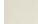
ASME A112.19.2/CSA B45.1  
 EPA WaterSense®  
 California Energy Commission (CEC)  
 ADA  
 ICC/ANSI A117.1  
 CSA B651  
 OBC

### KOHLER® Toilets and Seats Limited Warranty

See website for detailed warranty information.

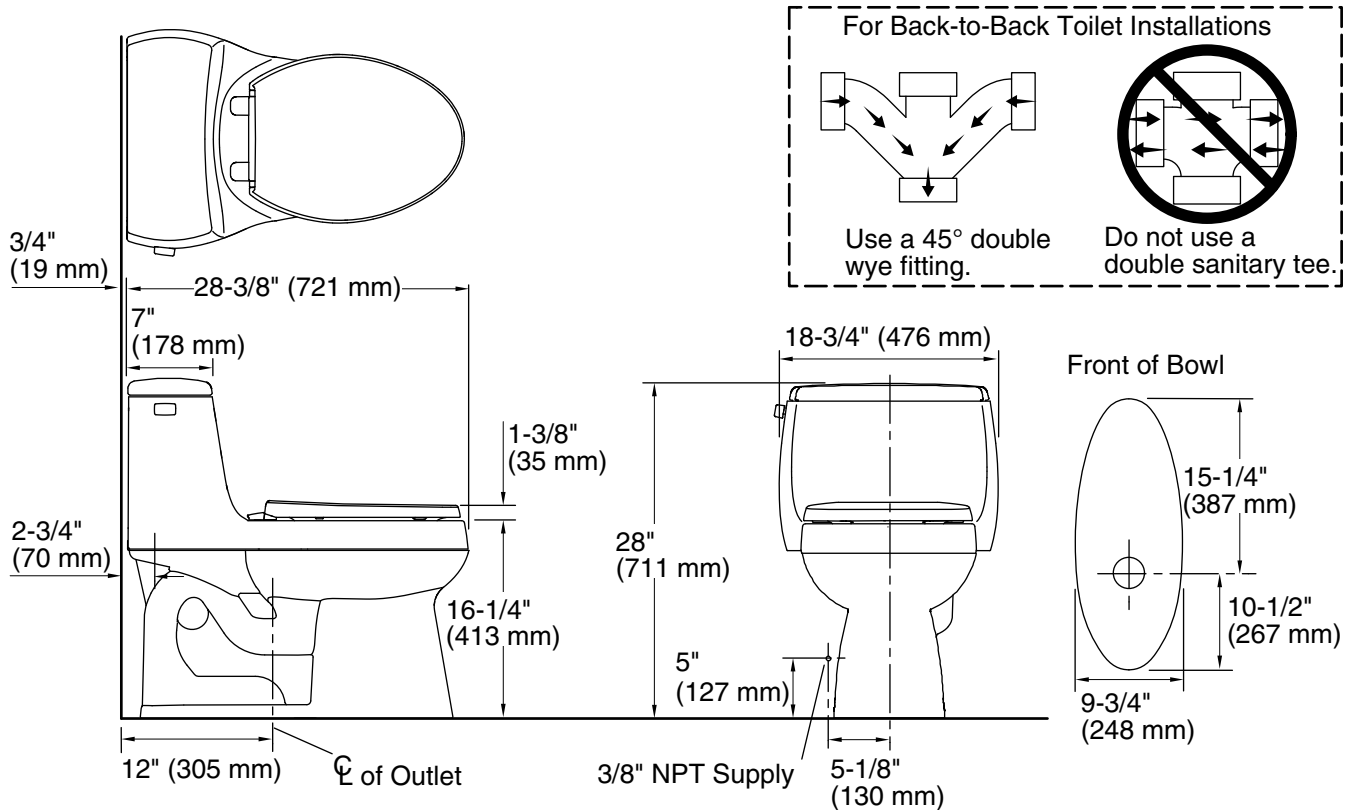
### Available Colors/Finishes

*Color tiles intended for reference only.*

Color	Code	Description
	0	White
	HW1	Honed White
	96	Biscuit
	47	Almond



**Gabrielle™ Comfort Height®**  
 One-piece elongated chair height toilet  
**K-3615**



**Technical Information**

All product dimensions are nominal.

- Toilet type: One-piece, Floor-mount
- Waste Outlet: Floor
- Bowl shape: Elongated
- Trap passageway: 2-1/8" (54 mm)
- Water Consumption
  - Full: 1.28 gpf (4.8 lpf)
- Water surface size: 11" x 8-1/2" (279 mm x 216 mm)
- Rim to water surface: 6" (152 mm)
- Rough-in: 12" (305 mm)
- Seat-mounting holes: 5-1/2" (140 mm)

**Notes**

- Install this product according to the installation instructions.
- For back-to-back toilet installations: Use only a 45° double wye fitting.
- The Model Plumbing Codes require the installation of elongated open-front toilet seats in public bathrooms.
- ADA, OBC, CSA B651 compliant when installed to the specific requirements of these regulations.
- Plumbing codes may require elongated toilets and elongated, open-front seats in public bathrooms.
- Accessibility standards may require controls to be located on the open side of the toilet.