

E14320



Collection: ECO

Finish*:



CP - Chrome

Main features:



Features

- WEIGHT: 1 kg
- INSTALLATION TYPE: Wall-mount

- MATERIAL: Metal
- Shower set with bar 0.60 m, double-interlock metallic hose 1.75 m and single-spray anti-scale handshower

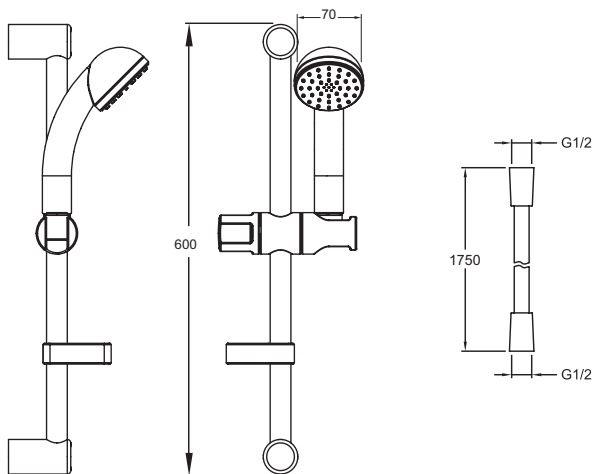
Consumer benefits

- 3 flow controls: - 20 %, -30 %, -50 %
- PRACTICAL: Soap dish

Installation benefits

- OPTION: Spacer R8A910NF

Technical drawing



Product Specification: Shower set. E14320. Collection: ECO. WEIGHT: 1 kg. MATERIAL: Metal. INSTALLATION TYPE: Wall-mount. Shower set with bar 0.60 m, double-interlock metallic hose 1.75 m and single-spray anti-scale handshower.

*Due to possible variations in computer and printer calibrations, technical factors and certain finish characteristics, the colors you see may not accurately portray the actual colors and are provided as a guide only.