

Collection

## REFLEX

Article

### RX208

Description

**Wall mounted washbasin hydroprogressive mixer short spout**

**Built-in body to be purchased separately INC206XXXN\_19**

Box Dimensions

**340 x 180 x 75 mm**

Weight

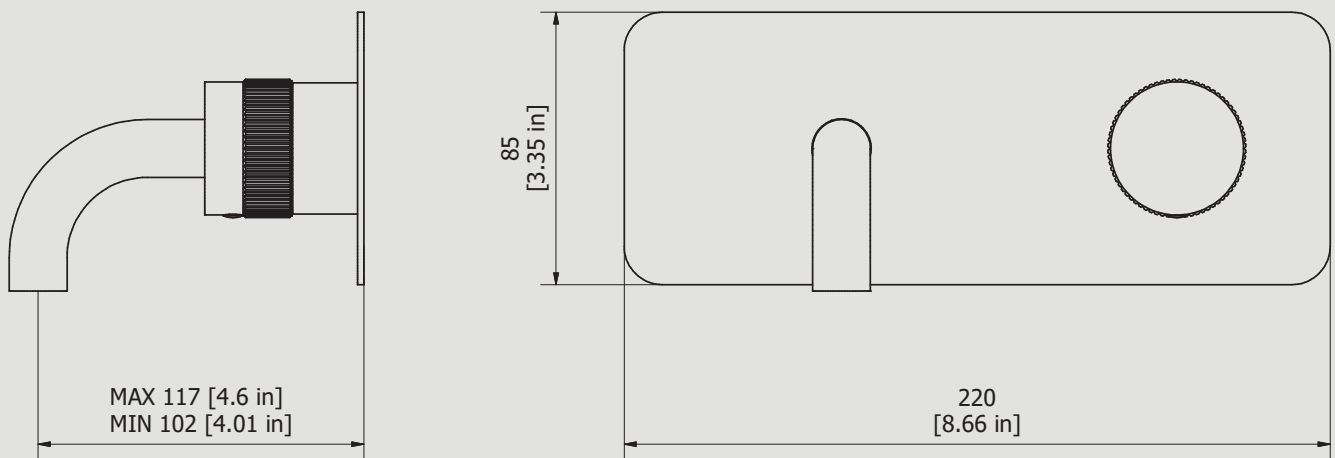
**1.3 kg**



Finishes

- **CC**  
CHROME
- **CF**  
BLACK CHROME
- **OO**  
GOLD
- **BB**  
ANTIQUÉ BRONZE
- **SS**  
BRUSHED NICKEL
- **CS**  
BRUSHED BLACK CHROME
- **BO**  
MATT WHITE
- **NP**  
MATT BLACK
- **IS**  
BRUSHED PALE GOLD
- **OS**  
BRUSHED GOLD
- **II**  
PALE GOLD
- **RR**  
ANTIQUÉ COPPER
- **RS**  
ROSE GOLD
- **ON**  
NATURAL BRASS
- **SR**  
BRUSHED ROSE GOLD
- **PL**  
PLATINUM

Dimensions



Cartridge

**Ø35 ceramic cartridge**

Threaded fitting

**G1/2" female**

Aerator

**M16.5x1**

Flow Rate (+/-10%)

<b>1 BAR</b> 3.2 l/min	<b>2 BAR</b> 3.7 l/min	<b>3 BAR</b> 3.7 l/min
---------------------------	---------------------------	---------------------------

Production

**Main body is a single casted pieces**

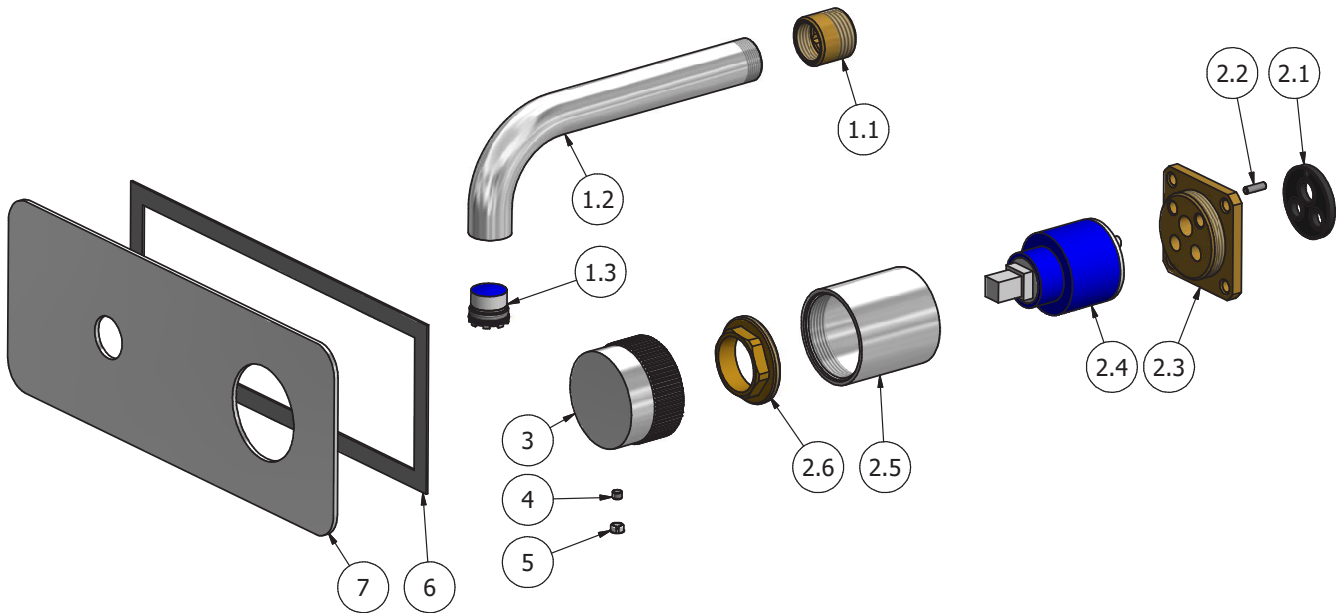
Material

**BRASS**  
According to CuZn35Pb2Al-B (CB752S)  
Max Lead content: 1.36%



# IB RUBINETTI

Parts list			
ELEM	CODE	DESCRIPTION	QT
1	CPX321CC XN_19	Preassembled spout Ø18	1
1.1	AS0016647	Fitting G1/2M M18X1F L18	1
1.2	AC0011994	Spout-out M18x1 M16.5x1 Ø18 L144	1
1.3	AQ0014147	Perlator PCA cachè laminar 1 GPM (44.3358.010)	1
2	CPRX300C CXN19	Mixer 47x47 x recessed	1
2.1	AQ0015684	Gasket Ø31 H3.5 Ø7 Ø7.5	1
2.2	AQ0015357	Grubscrew M3x10 flat point	1
2.3	AS0013040	Insert 47x47 H11 M37x1.5	1
2.4	AQ0013271	Ceramic cartiridge KRJ 35A 9x9	1
2.5	AC0010445	Ring for recessed shower mixer	1
2.6	AQ0001040	Cartridge ring nut M37x1.5 H9	1
3	AC0016645	Handle Ø43 H27 knurled	1
4	AQ0009938	Grubscrew M4x3 flat point	1
5	AQ0012203	Plug	1
6	AQ0014142	Rubber packing double-sided tape 200x75x8x1	1
7	AC0013162	Plate 220x85x2 Ø18.5 Ø41.5	1



**WARRANTY**

All IB Rubinetterie SpA products are warranted for 10 years from the date of purchase, for the following cases:

- Defects of casting, porosity and chrome plating.
- Operating defects caused by incorrect fabrication.

The warranty provides for repair or replacement of products with fabrication defects recognized by our technical office. There is no other type of compensation anche the merchandise must be returned FOB our warehouse. The warranty only cover surface defects (scatches, dings, etc.) on fitting that have not been installed and used, returned in its original packaging with all components. O-ring, gasket seals and components subject to wear proportional to use are warranted for 2 years.

**The warranty is void in the following cases:**

Error installing and putting the product into service.

Deterioration of finisched surfaces due to use of cleaning products containing acids or abrasive substances. Deterioration of surface with finishes other than chrome plating. Their durability is, in fact, dependent on the user's care and gentleness of use.

Deterioration of the fitting due incorrect installation.

Improper repairs and maintenance performed without the company's prior authorization.

The warranty from IB Rubinetterie SpA is not renewable.

**Cleaning**

We recommended cleaning the finish surfaces with water and soap, using a soft cloth.

Do not use detergents that cointain hydrochloric acid or abrasive substances.

