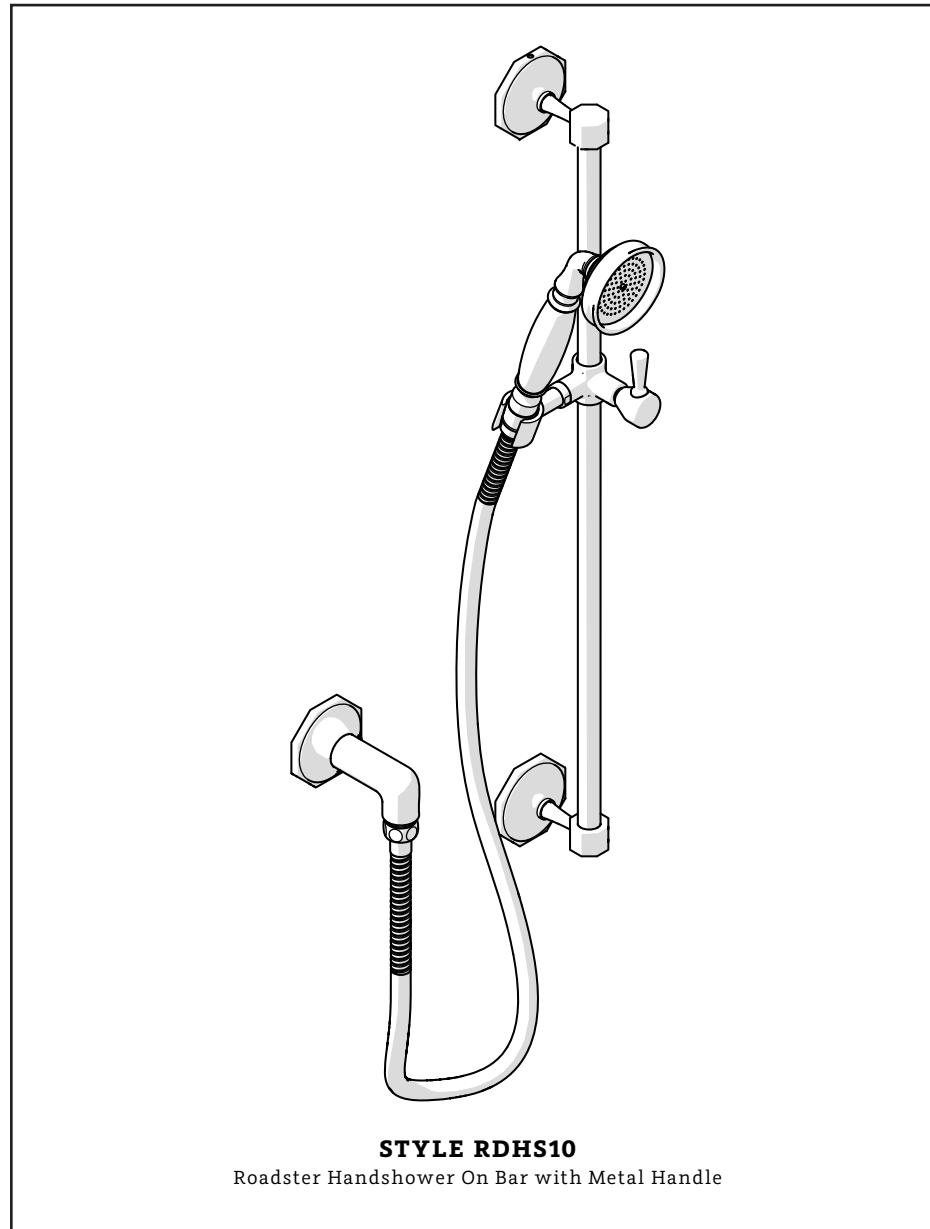


WATERWORKS
STUDIO

SERVICE PARTS



WELCOME TO

WATERWORKS STUDIO

Over thirty years of experience distilled into signature fittings, surfaces, textiles, and accessories. Waterworks Studio is an edited collection of design solutions curated to be concise, engineered to be complete, and crafted for quality.

Everything you need, nothing more.

**TO ORDER PARTS CALL
1 (800) 927-2120 (EXT 2)**

Order by part number and specify color, finish, or other options if required.

PRODUCT SUPPORT

Our Product Support team provides troubleshooting and technical problem resolution, including replacement parts and installation recommendations throughout the life of your product.

Product Support is available Monday through Friday, 9am-6pm.

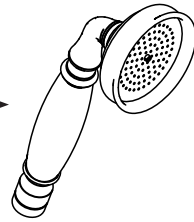
**LIMITED LIFETIME
WARRANTY**

Our warranty covers repair and replacement of Waterworks products if within the applicable coverage period and deemed defective by Waterworks. Waterworks will, at its option, repair or replace such products; this does not include installation costs, labor charges, or other incidental or consequential costs.

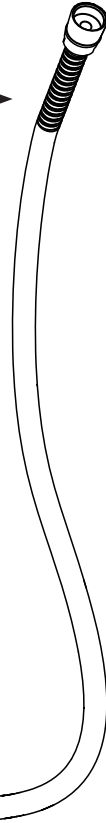
To obtain your complete warranty or inquire about warranty service, please visit us at www.waterworks.com or contact our Product Support Team.

MAIN KITS

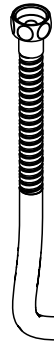
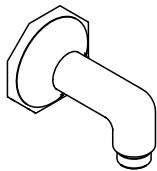
535601*
SPRAY KIT



435041*
HANDSHOWER HOSE KIT



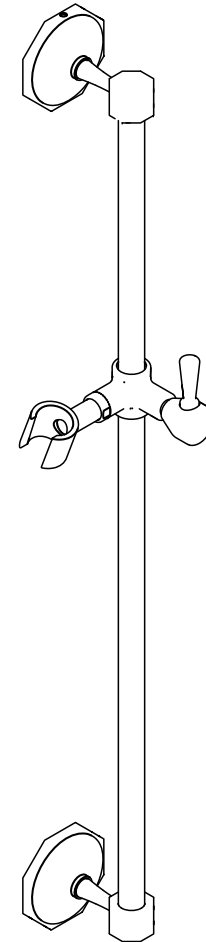
651989*
HANDSHOWER
ELBOW KIT



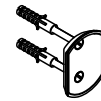
*FINISH/COLOR MUST BE SPECIFIED WHEN ORDERING
++SUPPLIED AS A PAIR



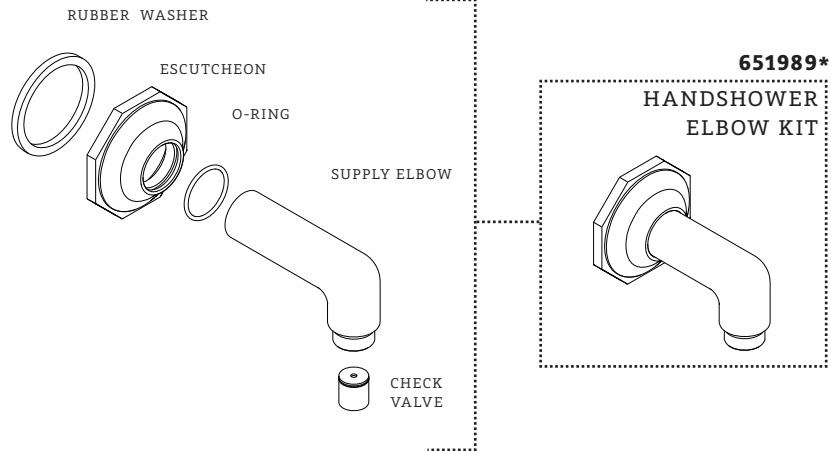
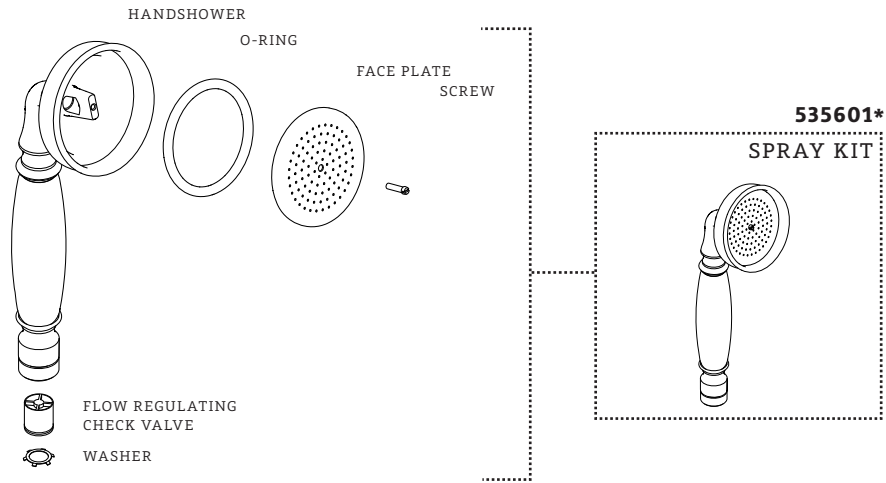
702454
MOUNTING HARDWARE KIT



975889*
SPRAY RETURN KIT

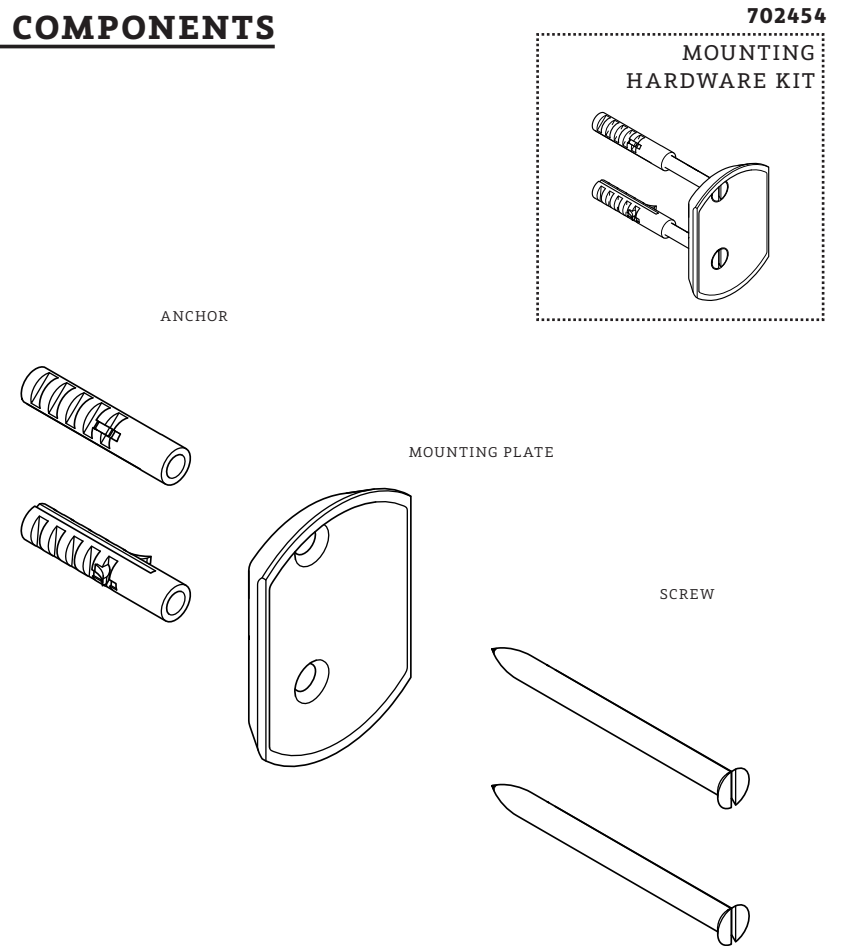


KIT COMPONENTS



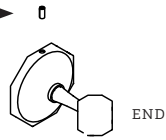
*FINISH/COLOR MUST BE SPECIFIED WHEN ORDERING
++SUPPLIED AS A PAIR

KIT COMPONENTS

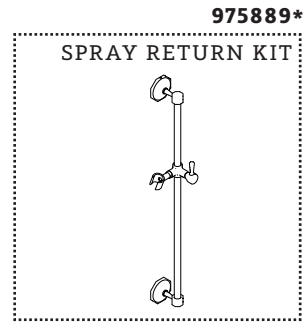
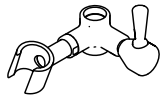


KIT COMPONENTS

317610
FASTENING SET SCREW



316943*
HANDSHOWER
CRADLE KIT



317610
FASTENING SET SCREW



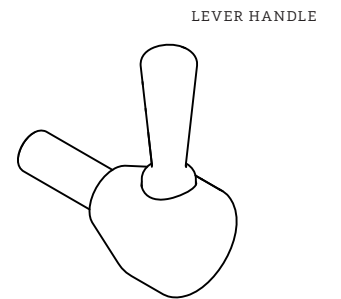
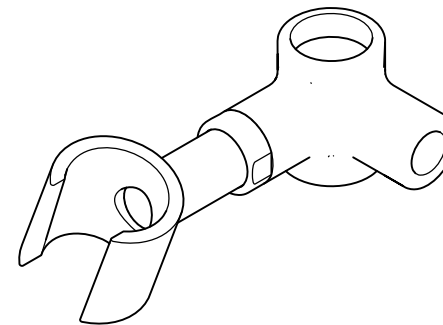
*FINISH/COLOR MUST BE SPECIFIED WHEN ORDERING
++SUPPLIED AS A PAIR

KIT COMPONENTS



BUSHING

COLLAR



LEVER HANDLE

NOTES

SERVICE PARTS INDEX

<u>STYLE</u>	<u>DESCRIPTION</u>	<u>PG</u>
317610	FASTENING SET SCREW	6
316943*	HANDSHOWER CRADLE KIT	7
651989*	HANDSHOWER ELBOW KIT	4
435041*	HANDSHOWER HOSE KIT	2
702454	MOUNTING HARDWARE KIT	5
535601*	SPRAY KIT	4
975889*	SPRAY RETURN KIT	6



WATERWORKS
STUDIO

PRODUCT SUPPORT
60 BACKUS AVENUE
DANBURY, CT 06810
1 (800) 927-2120 (EXT 2)
WWW.WATERWORKS.COM/STUDIO