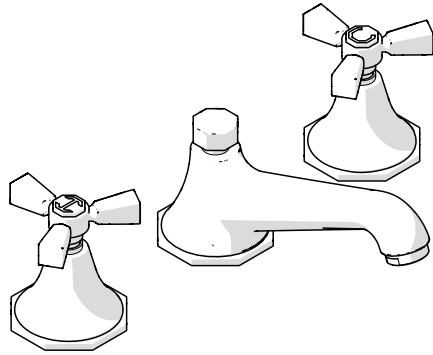


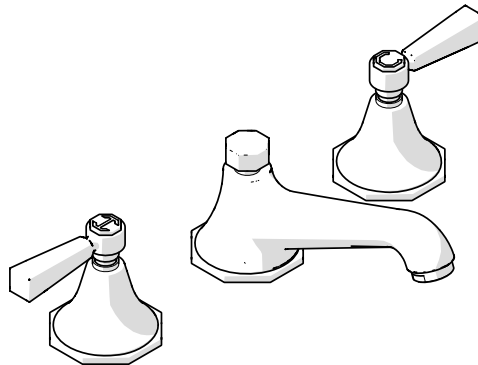
WATERWORKS STUDIO

SERVICE PARTS



STYLE RDLS01

Roadster Low Profile Three Hole Deck Mounted Lavatory Faucet with Metal Tri-spoke Handles



STYLE RDLS10

Roadster Low Profile Three Hole Deck Mounted Lavatory Faucet with Metal Lever Handles

WELCOME TO

WATERWORKS STUDIO

Over thirty years of experience distilled into signature fittings, surfaces, textiles, and accessories. Waterworks Studio is an edited collection of design solutions curated to be concise, engineered to be complete, and crafted for quality.

Everything you need, nothing more.

**TO ORDER PARTS CALL
1 (800) 927-2120 (EXT 2)**

Order by part number and specify color, finish, or other options if required.

PRODUCT SUPPORT

Our Product Support team provides troubleshooting and technical problem resolution, including replacement parts and installation recommendations throughout the life of your product.

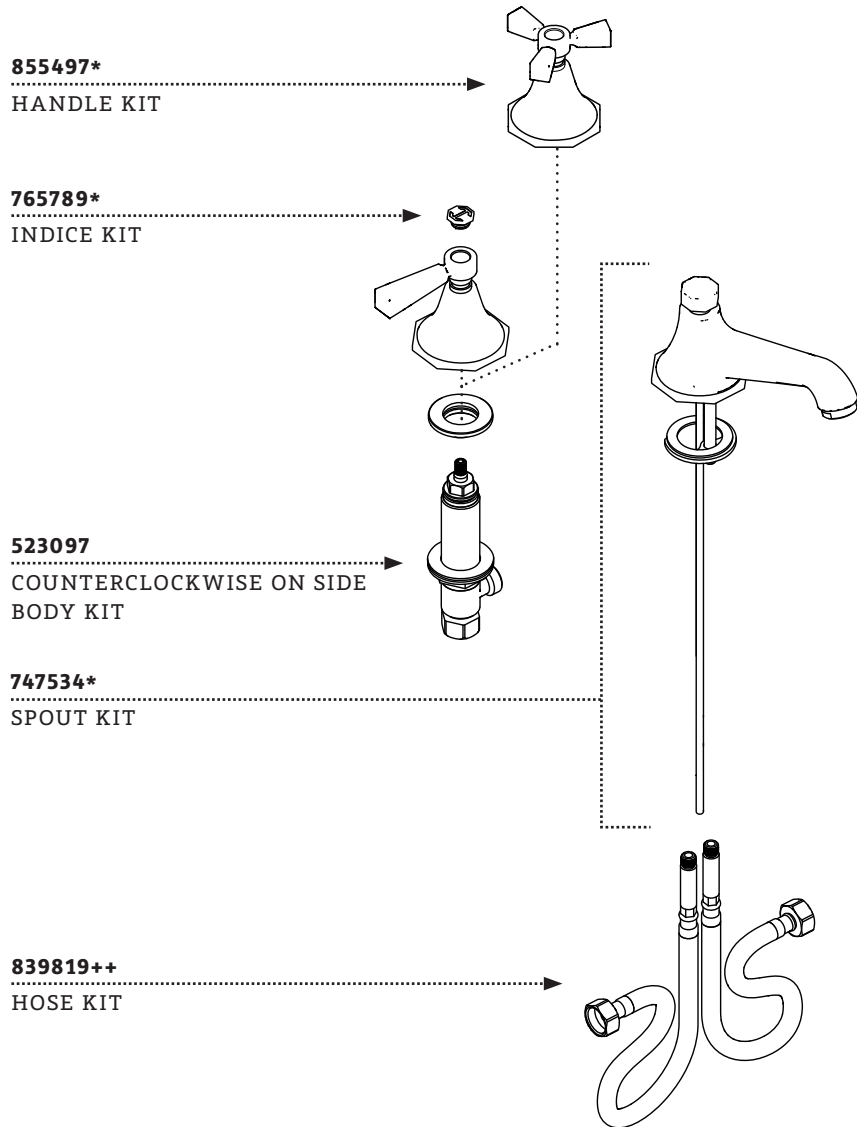
Product Support is available Monday through Friday, 9am-6pm.

**LIMITED LIFETIME
WARRANTY**

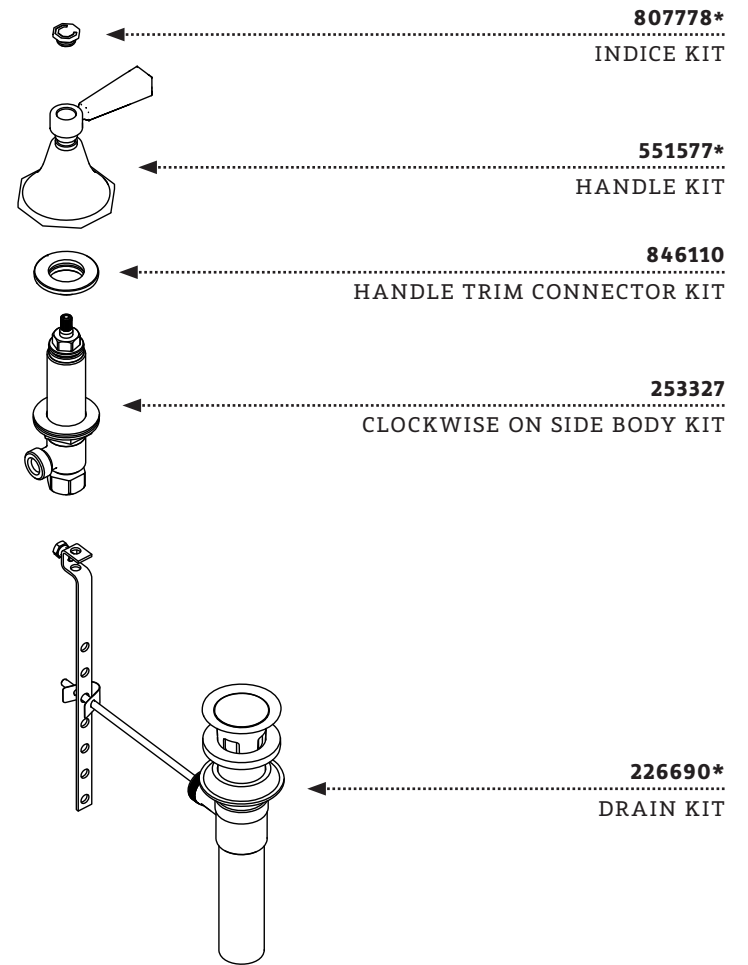
Our warranty covers repair and replacement of Waterworks products if within the applicable coverage period and deemed defective by Waterworks. Waterworks will, at its option, repair or replace such products; this does not include installation costs, labor charges, or other incidental or consequential costs.

To obtain your complete warranty or inquire about warranty service, please visit us at www.waterworks.com or contact our Product Support Team.

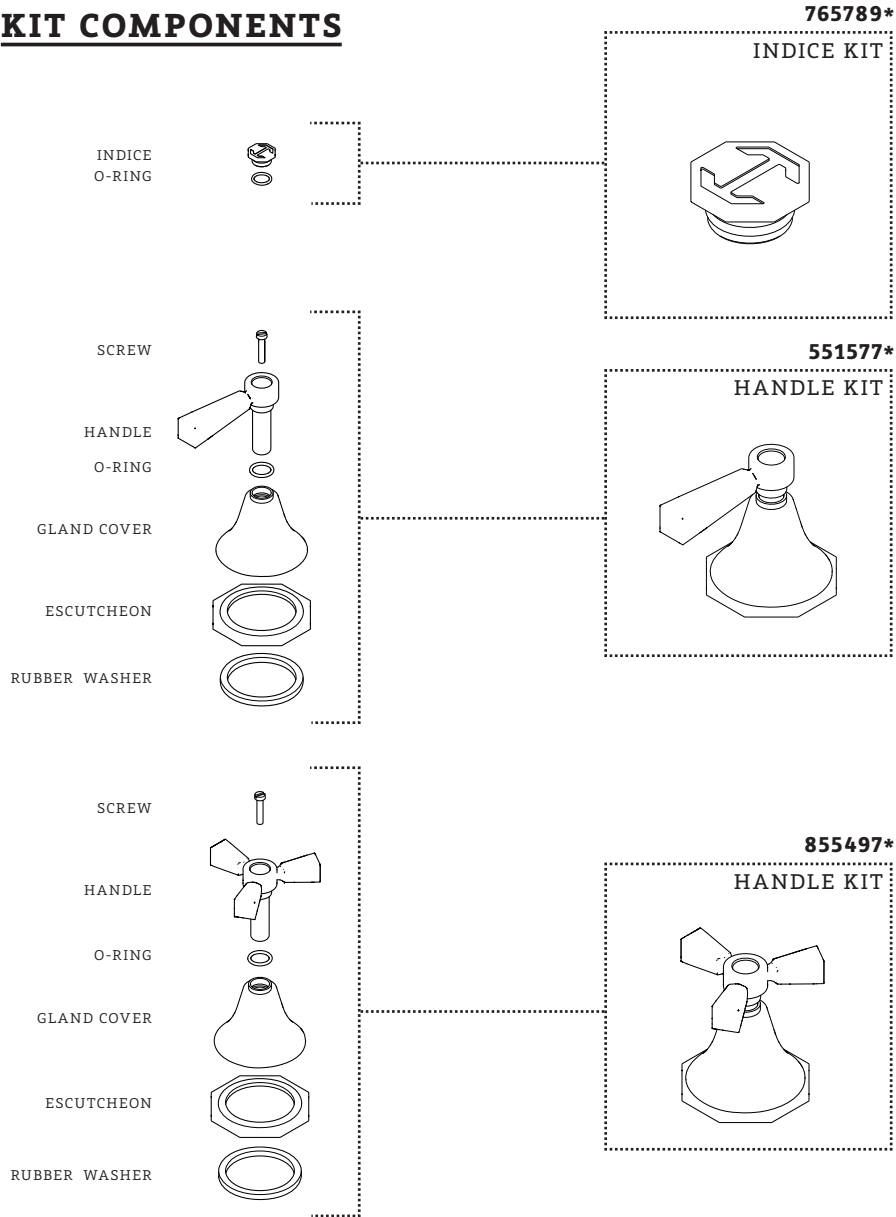
MAIN KITS



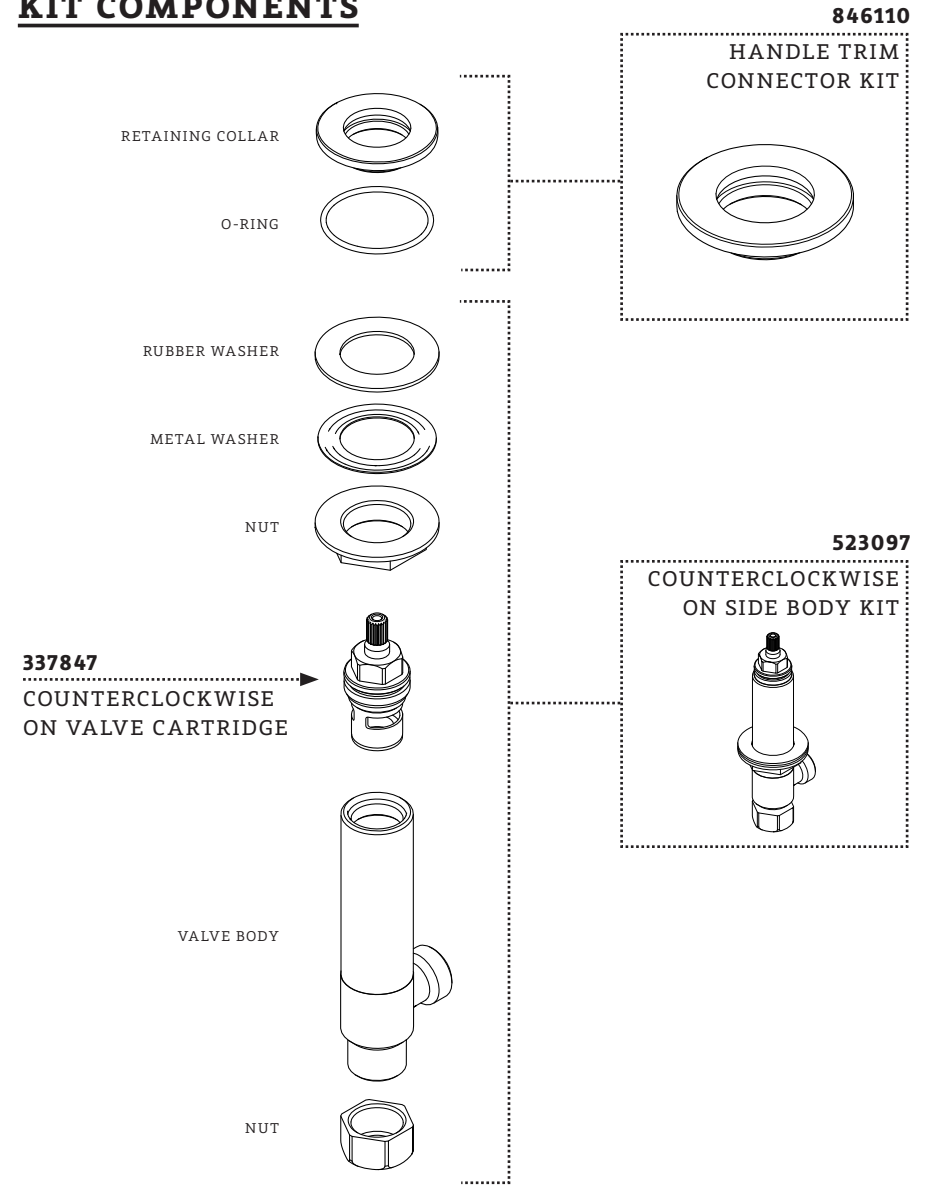
*FINISH/COLOR MUST BE SPECIFIED WHEN ORDERING
++SUPPLIED AS A PAIR



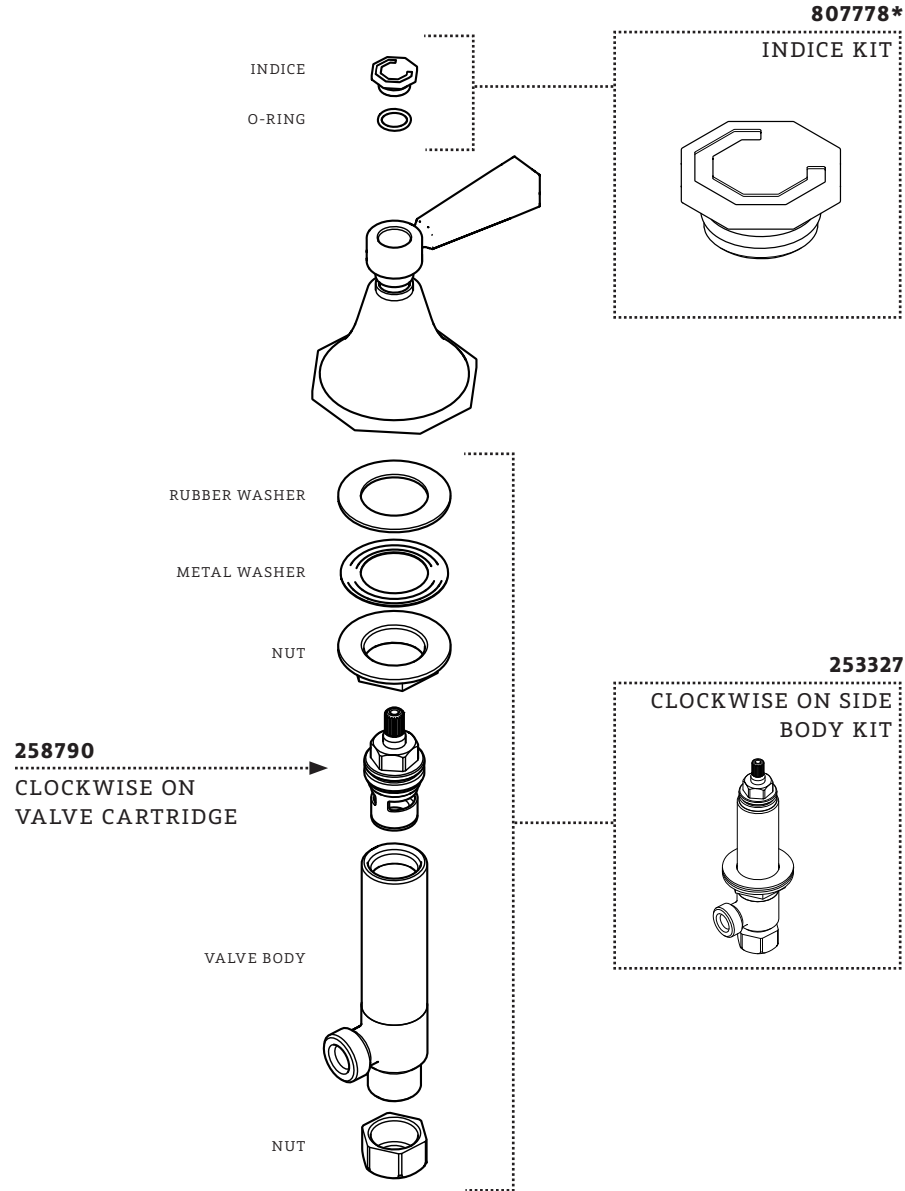
KIT COMPONENTS



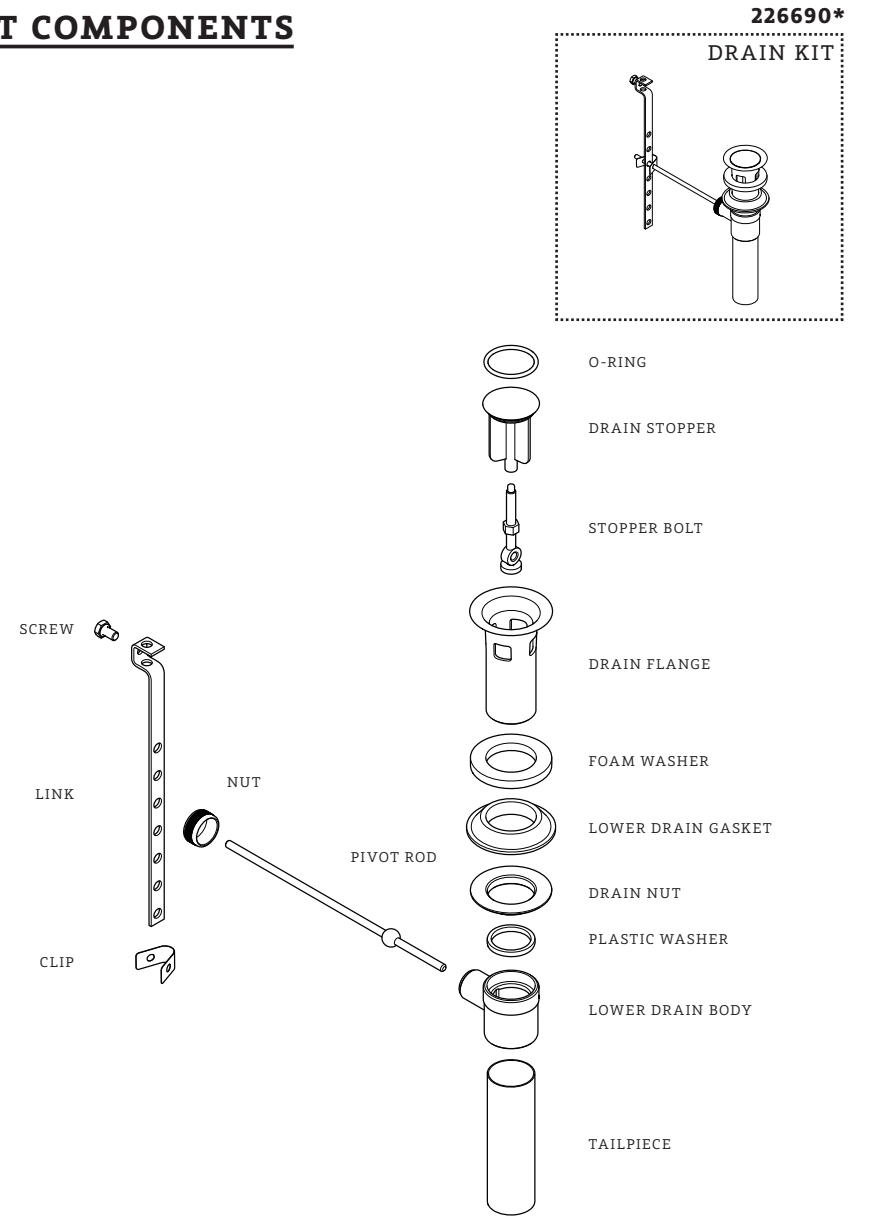
KIT COMPONENTS



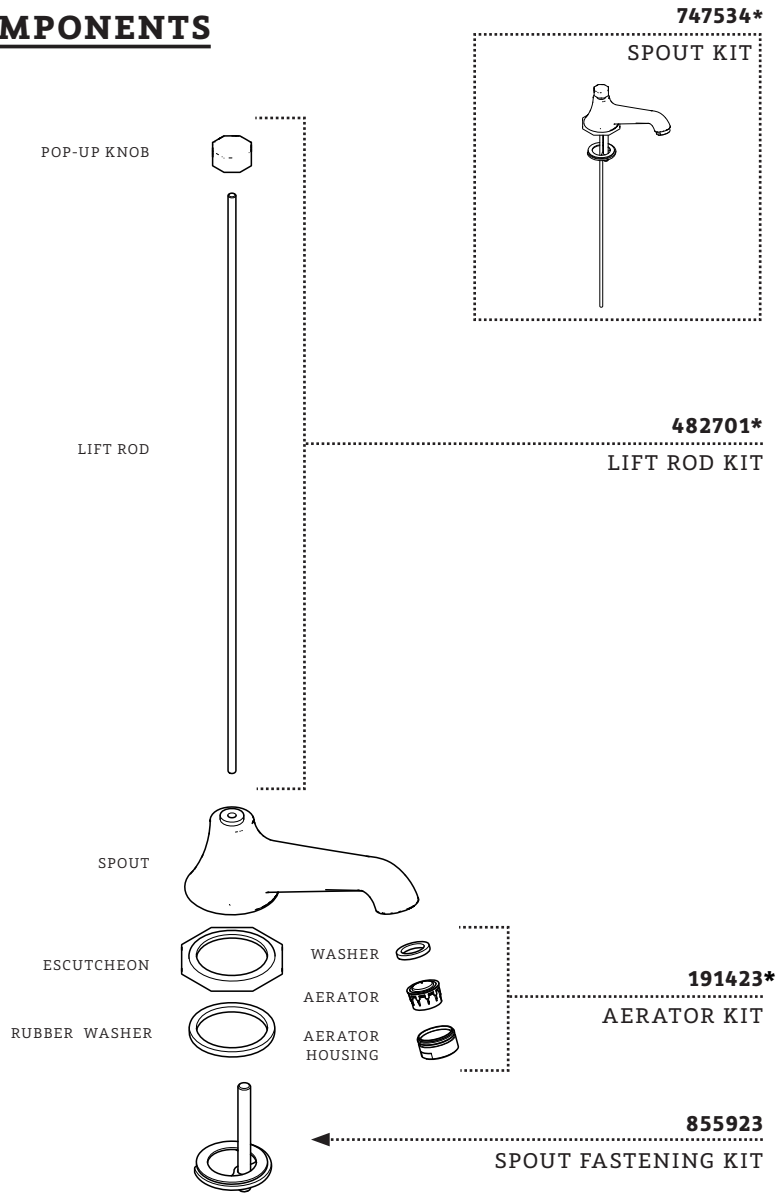
KIT COMPONENTS



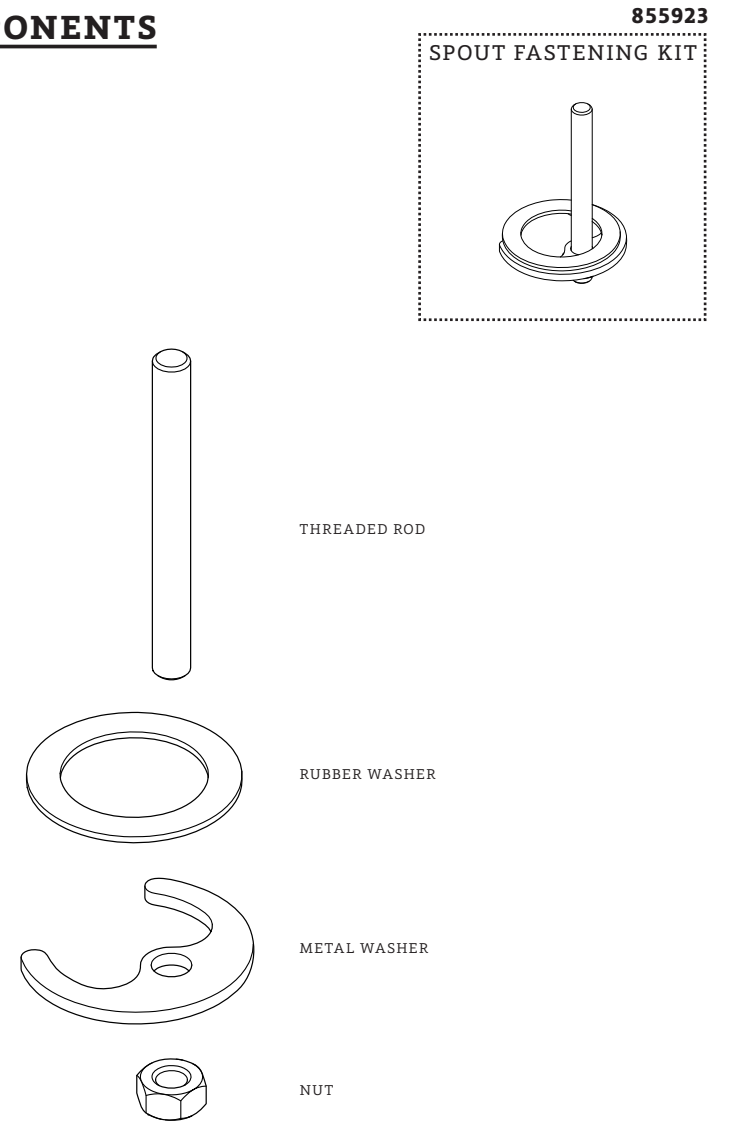
KIT COMPONENTS



KIT COMPONENTS



KIT COMPONENTS



NOTES

SERVICE PARTS INDEX

<u>STYLE</u>	<u>DESCRIPTION</u>	<u>PG</u>
191423*	AERATOR KIT	8
253327	CLOCKWISE ON SIDE BODY KIT	6
258790	CLOCKWISE ON VALVE CARTRIDGE	6
523097	COUNTERCLOCKWISE ON SIDE BODY KIT	5
337847	COUNTERCLOCKWISE ON VALVE CARTRIDGE	5
226690*	DRAIN KIT	7
551577*	HANDLE KIT	4
855497*	HANDLE KIT	4
846110	HANDLE TRIM CONNECTOR KIT	5
839819++	HOSE KIT	2
807778*	INDICE KIT	6
765789*	INDICE KIT	4
482701*	LIFT ROD KIT	8
855923	SPOUT FASTENING KIT	9
747534*	SPOUT KIT	8



WATERWORKS
STUDIO

PRODUCT SUPPORT
60 BACKUS AVENUE
DANBURY, CT 06810
1 (800) 927-2120 (EXT 2)
WWW.WATERWORKS.COM/STUDIO