

ROADSTER

RDLS60

Roadster Low Profile Three Hole Wall Mounted Lavatory Faucet with Metal Tri-Spoke Handles and Valve



SHOWN IN ROADSTER LOW PROFILE THREE HOLE WALL MOUNTED LAVATORY FAUCET WITH METAL TRI-SPOKE HANDLES

TECHNICAL DETAILS

ADA Compliance: Yes
Control Valve Rough-in Depth Maximum: 5 5/8"
Control Valve Rough-in Depth Minimum: 3"
Drain Assembly Materials: Brass
Drain Depth Maximum: 2"
Drain Style: USA Lift & Turn
Escutcheon Primary Material: Brass
Fittings Hole Diameter: 1 3/8"
Flow Restriction Options: 1.0 , 1.2 , 1.5 , 1.75, 2.2
Handle Spread Maximum: 8"
Handle Spread Minimum: 8"
Handle Turn Angle: Quarter Turn
Drain Depth Minimum: 1 1/2"
Height: 3"
Inlet Connection Size: 1/2"
Inlet Connection Type: Female NPT
Inlet Supply Spread Maximum: 8"
Inlet Supply Spread Minimum: 8"
Length: 10 15/16"
Number of Holes: Three Hole
Primary Material: Brass
Restricted Maximum Flow Rate: 1.2 gpm
Valve Material: Brass, Ceramic
Water Pressure Maximum: 80.0 psi
Water Pressure Minimum: 20.0 psi
Water Pressure Recommended: 45.0 psi

INSPIRATION

Inspired by vintage sports cars, these classic yet sharp silhouettes feature octagonal indices and geometric forms: perfect for giving any bath a dash of retro cool.

CODES & STANDARDS

Code # RDLS60: CEC

PRODUCT FEATURES

USA style drain included

This item is stocked in a Chrome, Nickel and Unlacquered Brass finishes.

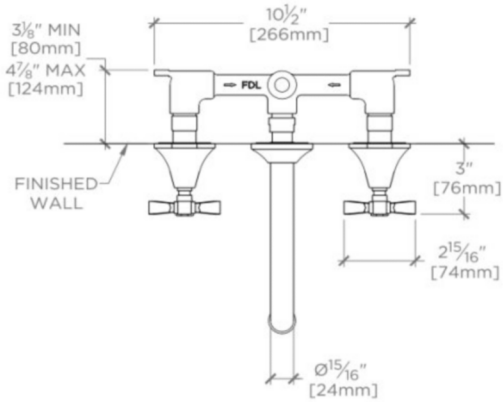
Cross Handles

Standard flow rate is 1.2gpm (4.5 L/min) and meets State of California requirements. Also available in other flow options. Contact a sales associate for details.

ROADSTER

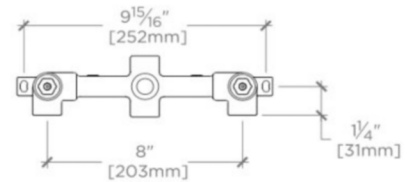
RDLS60

Roadster Low Profile Three Hole Wall Mounted Lavatory Faucet with Metal Tri-Spoke Handles and Valve



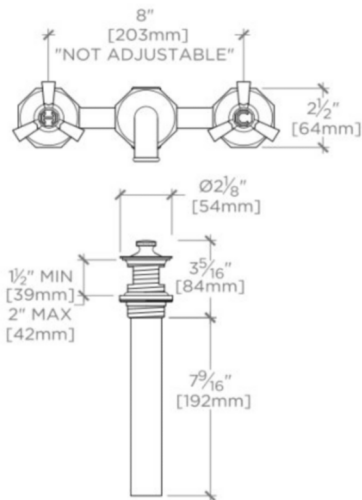
TOP VIEW

SCALE: 1/2"=1'-0"



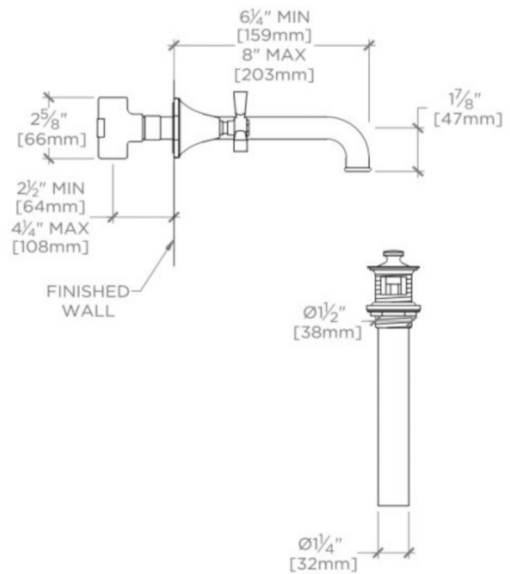
VALVE FRONT VIEW

SCALE: 1/2"=1'-0"



FRONT VIEW

SCALE: 1/2"=1'-0"



SIDE VIEW

SCALE: 1/2"=1'-0"