



WE ARE IB

Collection

HERMES ELLE

Article

HL225_1

Description

Monohole bidet mixer complete with drain.

Box Dimensions

425x188x98 mm

Weight

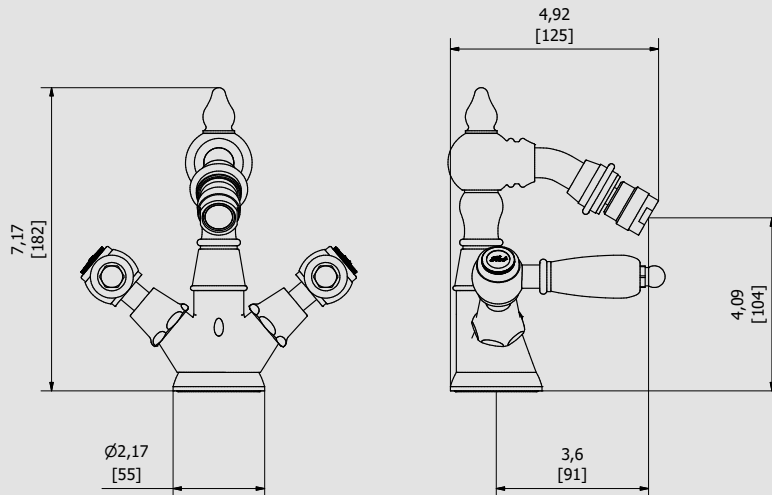
2.6 kg

Finishes

- **CC**
CHROME
- **PL**
PLATINUM
- **SS**
BRUSHED
NICKEL
- **ON**
NATURAL
BRASS
- **BO**
MATT
WHITE
- **NP**
MATT
BLACK
- **CF**
BLACK
CHROME
- **CS**
BRUSHED
BLACK
CHROME
- **II**
PALE
GOLD
- **IS**
BRUSHED
PALE GOLD
- **RS**
ROSE
GOLD
- **SR**
BRUSHED
ROSE GOLD
- **OO**
GOLD
- **OS**
BRUSHED
GOLD
- **RR**
ANTIQUÉ
COPPER
- **BB**
ANTIQUÉ
BRONZE



Dimensions



Cartridge

IB G1/2" Ceramic headworks

Threaded fitting

Inox hoses G3/8" female 400 mms long

Aerator

M24X1 perlator coin slot

Flow Rate (+/-10%)

| | | |
|---------------|---------------|---------------|
| 1 BAR | 2 BAR | 3 BAR |
| 10 l\m | 14 l\m | 17 l\m |

Production

Main body is a single hot stamped pieces

Material

BRASS
According to CuZn42 (CW510L)
Max Lead content:0.2%

IB RUBINETTERIE s.p.a
via dei Pianotti 3/5
25068 Sarezzo (BS) - Italy -

T. +39 030 802101
F. +39 030 803097
info@weareib.it

P.IVA 01785230986
capitale sociale
€420.000,00 i.v.

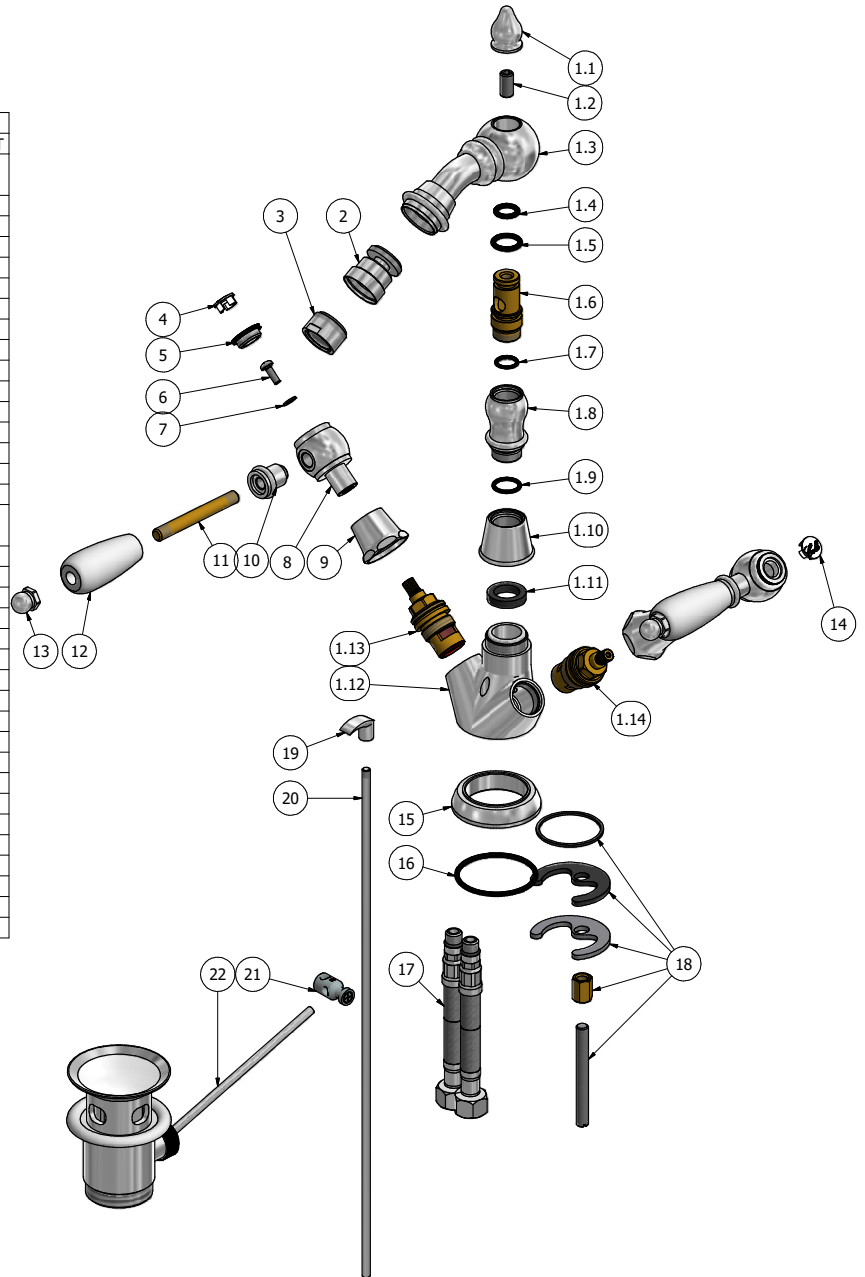
www.weareib.it





WE ARE IB

| Elenco parti | | | |
|--------------|-------------------|--|----|
| ELEM | CODICE | NUMERO DI MAGAZZINO | QT |
| 1 | CPKHR220 CCX01 | Preassembled basin mixer bidet | 1 |
| 1.1 | AC0007124 | Knob Ø19 M8 H27.4 | 1 |
| 1.2 | AQ0006931 | Grubscrew M8x16 | 1 |
| 1.3 | AC0009340 | Bidet's spout | 1 |
| 1.4 | AQ0001320 | OR 10.78x2.62 NBR 70 SH | 1 |
| 1.5 | AQ0001365 | OR 13.95x2.62 NBR 70 SH | 1 |
| 1.6 | AS0007129 | Insert Ø18.9 G3/8" H 43 M8 | 1 |
| 1.7 | AQ0001350 | OR 11.11x1.78 NBR 70 SH | 1 |
| 1.8 | AC0009347 | Extension M18x1 G3/8" | 1 |
| 1.9 | AQ0001390 | OR 14x2 NBR 70 SH | 1 |
| 1.10 | AC0009463 | Base for extension Ø34 H25 G3/4" | 1 |
| 1.11 | AQ0010989 | Rubber Ø14 Ø16 H5 | 1 |
| 1.12 | AC0000695 | Mixer body | 1 |
| 1.13 | AQ0002135 | Ceramic headwork 90° left | 1 |
| 1.14 | AQ0003930 | Ceramic headwork 90° right | 1 |
| 2 | AQ0001940 | Articulated joint M24x1 (69.0151.0) | 1 |
| 3 | AQ0000020 | Aerator M24 x 1 perlator honeycomb (40200503301) | 1 |
| 4 | AQ0013551 | Handle's plug hot | 1 |
| 5 | AQ0009069 | Cover Ø20 PLS | 2 |
| 6 | AQ0010985 | Inox screw M4x12 DIN 7985 | 2 |
| 7 | AQ0010229 | Inox washer Ø4 | 2 |
| 8 | AC0003397 | Lever Ø31.5 H42 | 2 |
| 9 | AC0003100 | Cap for headwork | 2 |
| 10 | AC0004500 | Insert for handle | 2 |
| 11 | AT0004520 | Rod M8x1 L68.5 | 2 |
| 12 | AQ0004525 | Grip handle | 2 |
| 13 | AC0004510 | Domed nut | 2 |
| 14 | AQ0013552 | Handle's plug cold | 1 |
| 15 | AC0010062 | Basin base Ø55xH12 | 1 |
| 16 | AQ0010096 | OR 45.7x2.62 NBR 70 SH | 1 |
| 17 | AQ0000932 | Inox hose M10x1 G3/8" F L400 | 2 |
| 18 | AQ0006400 | Fixing set | 1 |
| 19 | AC0009335 | Knob | 1 |
| 20 | AC0010414 | Rod Ø5 H360 | 1 |
| 21 | AQ0000280 | PUW - PU Joint | 1 |
| 22 | AQ0003140 | Pop-up waste 1"1/4 | 1 |





WARRANTY

All IB Rubinetterie SpA products are warranted for 10 years from the date of purchase, for the following cases:

- Defects of casting, porosity and chrome plating.
- Operating defects caused by incorrect fabrication.

The warranty provides for repair or replacement of products with fabrication defects recognized by our technical office. There is no other type of compensation anche the merchandise must be returned FOB our warehouse. The warranty only cover surface defects (scatches, dings, etc.) on fitting that have not been installed and used, returned in its original packaging with all components. O-ring, gasket seals and components subject to wear proportional to use are warranted for 2 years.

The warranty is void in the following cases:

Error installing and putting the product into service.

Deterioration of finished surfaces due to use of cleaning products containing acids or abrasive substances. Deterioration of surface with finishes other than chrome plating. Their durability is, in fact, dependent on the user's care and gentleness of use.

Deterioration of the fitting due incorrect installation.

Improper repairs and maintenance performed without the company's prior authorization.

The warranty from IB Rubinetterie SpA is not renewable.

Cleaning

We recommended cleaning the finish surfaces with water and soap, using a soft cloth.

Do not use detergents that contain hydrochloric acid or abrasive substances.

