

ROADSTER

RDLS70

Roadster Low Profile Three Hole Wall Mounted Lavatory Faucet with Metal Lever Handles and Valve



SHOWN IN ROADSTER LOW PROFILE THREE HOLE WALL MOUNTED LAVATORY FAUCET WITH METAL LEVER HANDLES AND

TECHNICAL DETAILS

ADA Compliance: Yes
 Control Valve Rough-in Depth Maximum: 5 5/8"
 Control Valve Rough-in Depth Minimum: 3"
 Drain Assembly Materials: Brass
 Drain Depth Maximum: 2"
 Drain Style: USA Lift & Turn
 Escutcheon Primary Material: Brass
 Fittings Hole Diameter: 1 3/8"
 Flow Restriction Options: 1.0 , 1.2 , 1.5 , 1.75, 2.2
 Handle Spread Maximum: 8"
 Handle Spread Minimum: 8"
 Handle Turn Angle: Quarter Turn
 Drain Depth Minimum: 1 1/2"
 Height: 3"
 Inlet Connection Size: 1/2"
 Inlet Connection Type: Female NPT
 Inlet Supply Spread Maximum: 8"
 Inlet Supply Spread Minimum: 8"
 Length: 13 7/16"
 Number of Holes: Three Hole
 Primary Material: Brass
 Restricted Maximum Flow Rate: 1.2 gpm
 Valve Material: Brass, Ceramic
 Water Pressure Maximum: 80.0 psi
 Water Pressure Minimum: 20.0 psi
 Water Pressure Recommended: 45.0 psi

INSPIRATION

Inspired by vintage sports cars, these classic yet sharp silhouettes feature octagonal indices and geometric forms: perfect for giving any bath a dash of retro cool.

CODES & STANDARDS

Code # RDLS70: CEC

PRODUCT FEATURES

USA style drain included

This item is stocked in a Chrome, Nickel and Unlacquered Brass finishes.

Lever Handles

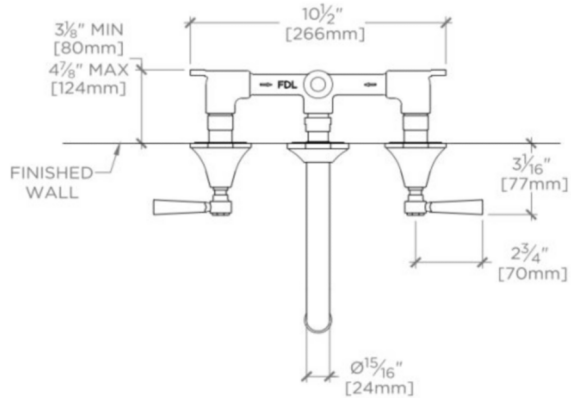
Standard flow rate is 1.2gpm (4.5 L/min) and meets State of California requirements. Also available in other flow options. Contact a sales associate for details.

WATERWORKS

ROADSTER

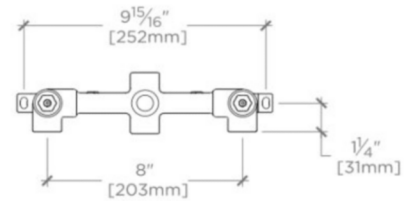
RDLS70

Roadster Low Profile Three Hole Wall Mounted Lavatory Faucet with Metal Lever Handles and Valve



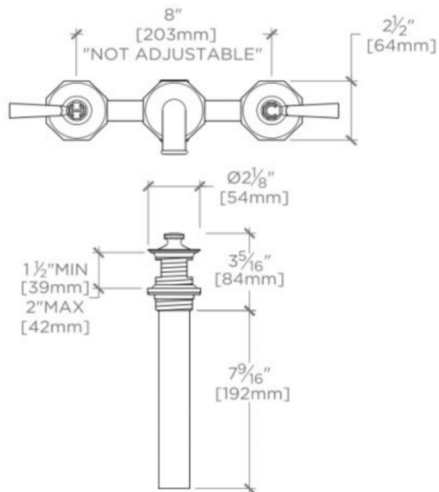
TOP VIEW

SCALE: 1 1/2"=1'-0"



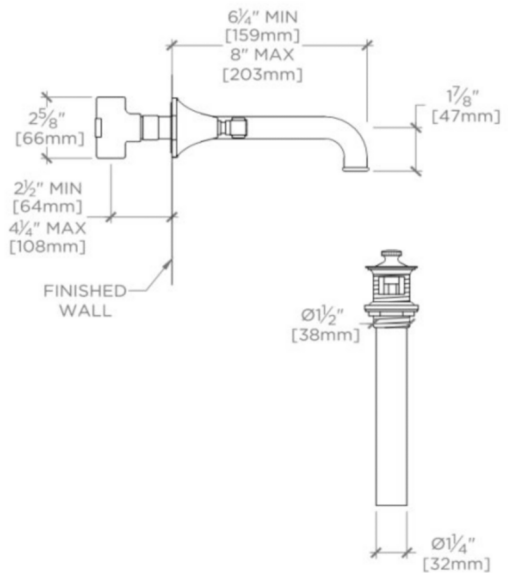
VALVE FRONT VIEW

SCALE: 1 1/2"=1'-0"



FRONT VIEW

SCALE: 1 1/2"=1'-0"



SIDE VIEW

SCALE: 1 1/2"=1'-0"