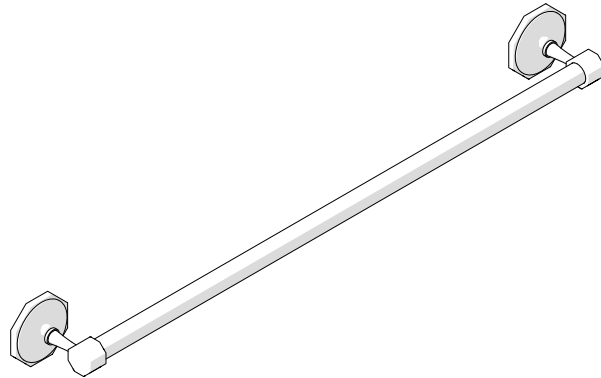
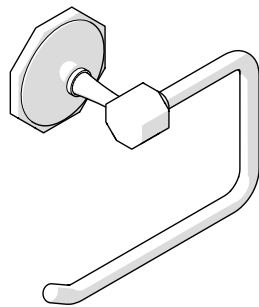


WATERWORKS STUDIO

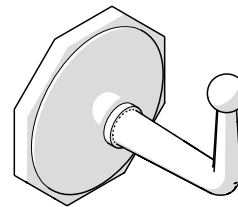
SERVICE PARTS



STYLE RDTB24
Roadster Single Towel Bar 24"



STYLE RDPH01
Roadster Wall Mounted Swing Arm Paper
Holder



STYLE RDRH01
Roadster Single Hook

WELCOME TO

WATERWORKS STUDIO

Over thirty years of experience distilled into signature fittings, surfaces, textiles, and accessories. Waterworks Studio is an edited collection of design solutions curated to be concise, engineered to be complete, and crafted for quality.

Everything you need, nothing more.

**TO ORDER PARTS CALL
1 (800) 927-2120 (EXT 2)**

Order by part number and specify color, finish, or other options if required.

PRODUCT SUPPORT

Our Product Support team provides troubleshooting and technical problem resolution, including replacement parts and installation recommendations throughout the life of your product.

Product Support is available Monday through Friday, 9am-6pm.

**LIMITED LIFETIME
WARRANTY**

Our warranty covers repair and replacement of Waterworks products if within the applicable coverage period and deemed defective by Waterworks. Waterworks will, at its option, repair or replace such products; this does not include installation costs, labor charges, or other incidental or consequential costs.

To obtain your complete warranty or inquire about warranty service, please visit us at www.waterworks.com or contact our Product Support Team.

MAIN KITS

207806*

TOWEL BAR
RIGHT END KIT

702454

MOUNTING HARDWARE

020729*

TOWEL BAR
LEFT END KIT

124746*

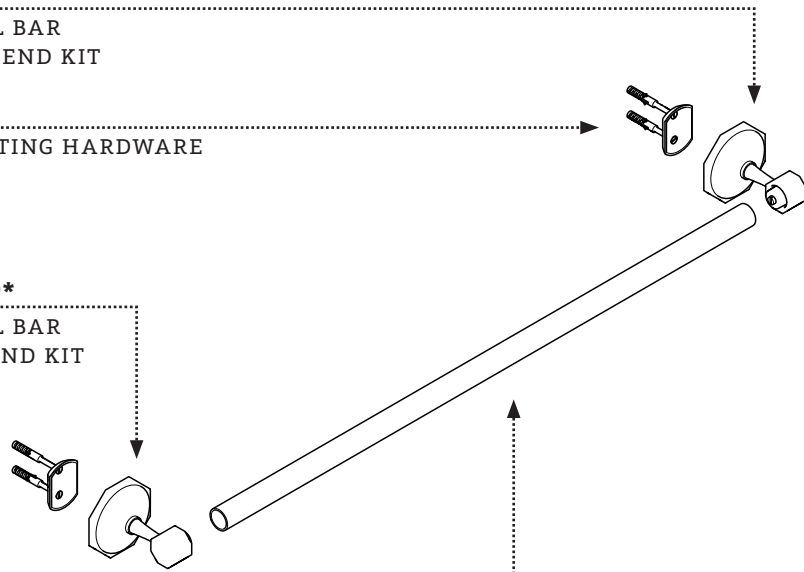
TOWEL BAR ROD KIT

317610

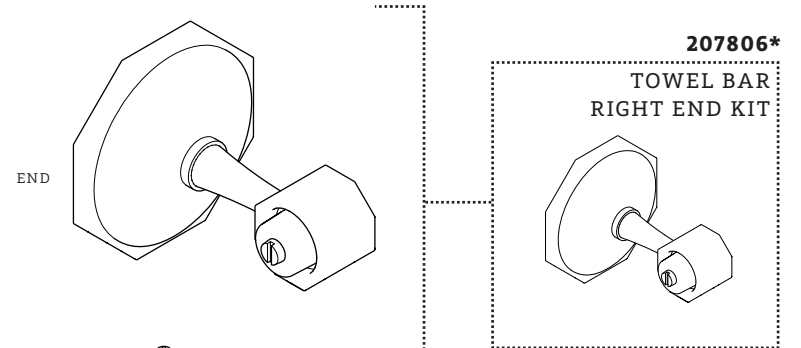
FASTENING
SET SCREW

317610

FASTENING
SET SCREW

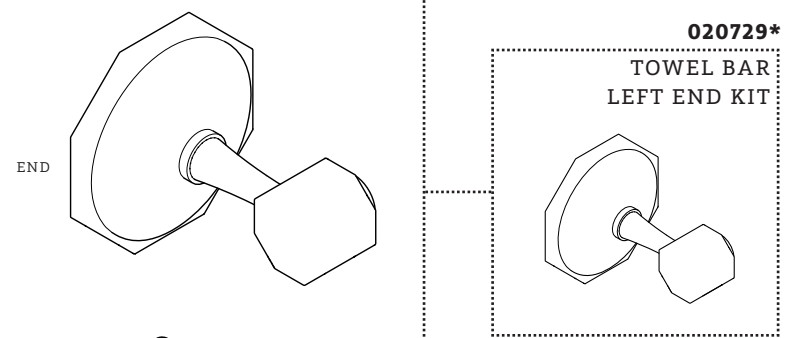


KIT COMPONENTS



317610

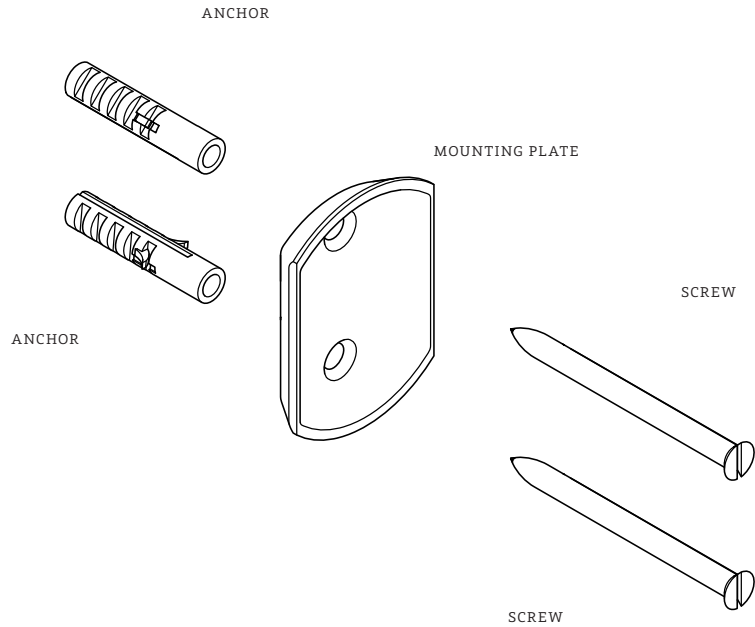
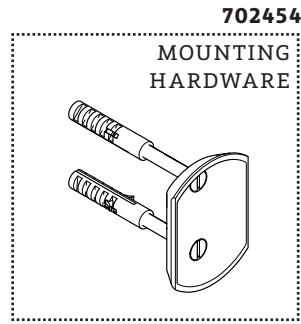
FASTENING
SET SCREW



317610

FASTENING
SET SCREW

KIT COMPONENTS



*FINISH/COLOR MUST BE SPECIFIED WHEN ORDERING
++SUPPLIED AS A PAIR

SERVICE PARTS INDEX

<u>STYLE</u>	<u>DESCRIPTION</u>	<u>PG</u>
317610	FASTENING SET SCREW	3
702454	MOUNTING HARDWARE	4
020729*	TOWEL BAR LEFT END KIT	3
207806*	TOWEL BAR RIGHT END KIT	3
124746*	TOWEL BAR ROD KIT	2



WATERWORKS
STUDIO

PRODUCT SUPPORT
60 BACKUS AVENUE
DANBURY, CT 06810
1 (800) 927-2120 (EXT 2)
WWW.WATERWORKS.COM/STUDIO